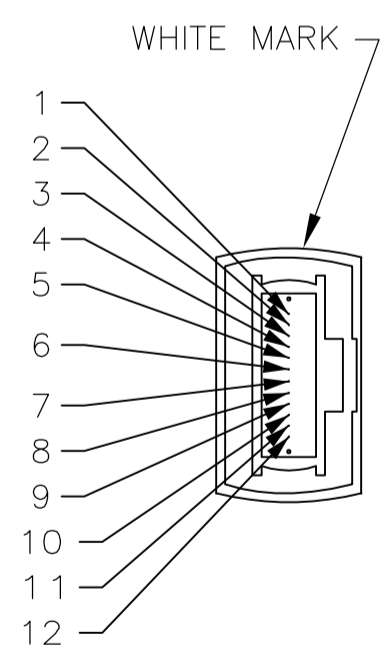
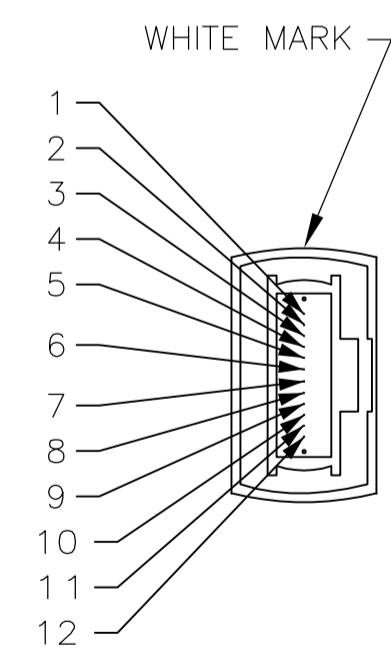


PAIRS FLIPPED

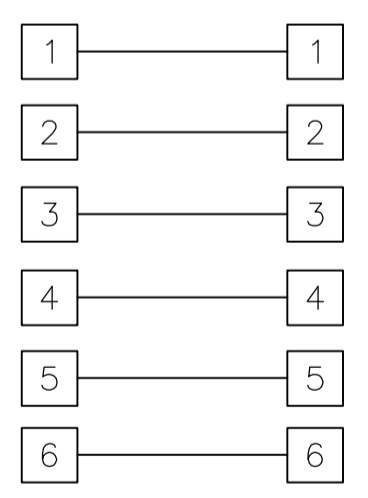


FIBER #	COLOR
1	BLUE
2	ORANGE
3	GREEN
4	BROWN
5	SLATE
6	WHITE
7	RED
8	BLACK
9	YELLOW
10	VIOLET
11	ROSE
12	AQUA



FIBER #	COLOR
1	ORANGE
2	BLUE
3	BROWN
4	GREEN
5	WHITE
6	SLATE
7	BLACK
8	RED
9	VIOLET
10	YELLOW
11	AQUA
12	ROSE

LIGHTRAY CONNECTOR FIBER PATH



- 1 WHITE MARK ON CONNECTOR BODY INDICATES FIBER ONE SIDE.
- 2 PULLING SOCK IS INSTALLED OVER ONE END SEE SHEET 3 FOR DETAIL.
- 3 PROTECTIVE COVER IS INSTALLED OVER ONE END (DO NOT PULL ON PROTECTIVE COVER) SEE SHEET 3 FOR DETAIL.
- 4 INSERTION LOSS IS EQUAL TO 0.75dB PLUS CABLE ATTENUATION.
5. A COPY OF TEST DATA WILL BE PLACED INSIDE OR WITH THE UNIT PACKAGE.
6. PRODUCT AND PROCESSING MUST MEET REQUIREMENTS OF TYCO ELECTRONICS STANDARD TEC-138-702.

VIEW A-A
NOT TO SCALE

VIEW B-B
NOT TO SCALE

THIS DRAWING IS A CONTROLLED DOCUMENT.		DWN J.W.DAVIS 02AUG06	Tyco Electronics Corporation Harrisburg Pa, 17105-3608	
DIMENSIONS: INCHES		CHK D.FENNELL 02AUG06	NAME CABLE ASSEMBLY, 62.5/125um, 72 FIBER, OFNP, PAIRS FLIPPED, MPO	
TOLERANCES UNLESS OTHERWISE SPECIFIED: 0 PLC ± - 1 PLC ± - 2 PLC ± - 3 PLC ± - 4 PLC ± - ANGLES ± - FINISH -		APVD D.FENNELL 02AUG06	PRODUCT SPEC APPLICATION SPEC	
MATERIAL		WEIGHT	SIZE A2	CAGE CODE 00779
		DRAWING NO 6435027		RESTRICTED TO
		CUSTOMER DRAWING		SCALE NTS
		SHEET 1 OF 3		REV B

THIS DRAWING IS UNPUBLISHED. RELEASED FOR PUBLICATION
 © COPYRIGHT BY TYCO ELECTRONICS CORPORATION. ALL RIGHTS RESERVED.

LOC	DIST	REVISIONS					
CE	16	P	LTR	DESCRIPTION	DATE	OWN	APVD
		-		SEE SHT 1	-	-	-

PART NUMBER	MIN LENGTH (FEET)	MAX LENGTH (FEET)	CONNECTOR LOSS (dB)
6435027-1	10.00	11.00	0.75
6435027-2	20.00	22.00	0.76
6435027-3	30.00	32.00	0.76
6435027-4	40.00	42.00	0.77
6435027-5	50.00	52.00	0.77
6435027-6	60.00	62.00	0.78
6435027-7	70.00	72.00	0.78
6435027-8	80.00	82.00	0.79
6435027-9	90.00	92.00	0.79
1-6435027-0	100.00	103.00	0.80
1-6435027-1	110.00	113.00	0.80
1-6435027-2	120.00	123.00	0.80
1-6435027-3	130.00	133.00	0.81
1-6435027-4	140.00	143.00	0.81
1-6435027-5	150.00	153.00	0.82
1-6435027-6	160.00	163.00	0.82
1-6435027-7	170.00	173.00	0.83
1-6435027-8	180.00	183.00	0.83
1-6435027-9	190.00	193.00	0.84
2-6435027-0	200.00	204.00	0.84
2-6435027-1	210.00	214.00	0.85
2-6435027-2	220.00	224.00	0.85
2-6435027-3	230.00	234.00	0.86
2-6435027-4	240.00	244.00	0.86
2-6435027-5	250.00	254.00	0.86
2-6435027-6	260.00	264.00	0.87
2-6435027-7	270.00	274.00	0.87
2-6435027-8	280.00	284.00	0.88
2-6435027-9	290.00	294.00	0.88
3-6435027-0	300.00	306.00	0.89
3-6435027-1	310.00	316.20	0.89
3-6435027-2	320.00	326.40	0.90
3-6435027-3	330.00	336.60	0.90
3-6435027-4	340.00	346.80	0.91
3-6435027-5	350.00	357.00	0.91
3-6435027-6	360.00	367.20	0.91
3-6435027-7	370.00	377.40	0.92
3-6435027-8	380.00	387.60	0.92
3-6435027-9	390.00	397.80	0.93
4-6435027-0	400.00	408.00	0.93
4-6435027-1	410.00	418.20	0.94
4-6435027-2	420.00	428.40	0.94
4-6435027-3	430.00	438.60	0.95
4-6435027-4	440.00	448.80	0.95
4-6435027-5	450.00	459.00	0.96
4-6435027-6	460.00	469.20	0.96
4-6435027-7	470.00	479.40	0.96
4-6435027-8	480.00	489.60	0.97
4-6435027-9	490.00	499.80	0.97
5-6435027-0	500.00	510.00	0.98

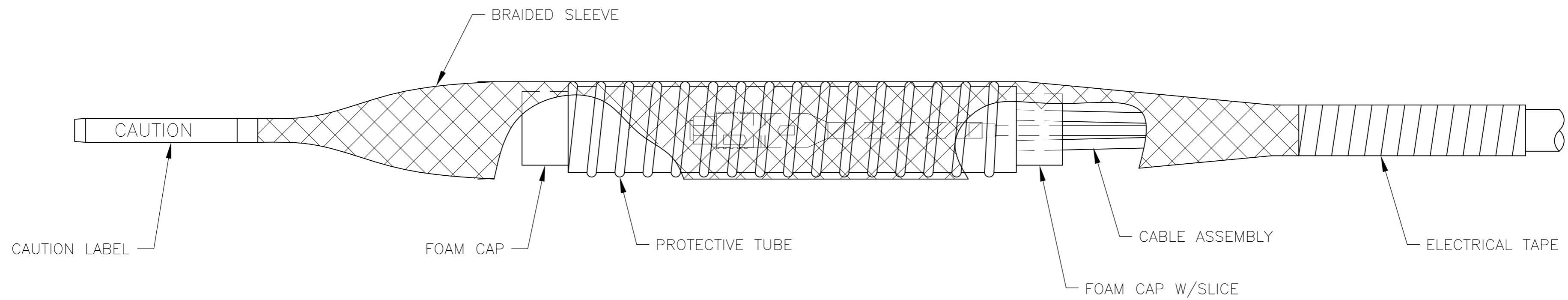
PART NUMBER	MIN LENGTH (FEET)	MAX LENGTH (FEET)	CONNECTOR LOSS (dB)
5-6435027-1	525.00	535.50	0.99
5-6435027-2	550.00	561.00	1.00
5-6435027-3	575.00	586.50	1.01
5-6435027-4	600.00	612.00	1.02
5-6435027-5	625.00	637.50	1.04
5-6435027-6	650.00	663.00	1.05
5-6435027-7	675.00	688.50	1.06
5-6435027-8	700.00	714.00	1.07
5-6435027-9	725.00	739.50	1.08
6-6435027-0	750.00	765.00	1.09
6-6435027-1	775.00	790.50	1.10
6-6435027-2	800.00	816.00	1.12
6-6435027-3	825.00	841.50	1.13
6-6435027-4	850.00	867.00	1.14
6-6435027-5	875.00	892.50	1.15
6-6435027-6	900.00	918.00	1.16
6-6435027-7	925.00	943.50	1.17
6-6435027-8	950.00	969.00	1.18
6-6435027-9	975.00	994.50	1.20
7-6435027-0	1000.00	1020.00	1.21

THIS DRAWING IS A CONTROLLED DOCUMENT.			
DIMENSIONS: INCHES	TOLERANCES UNLESS OTHERWISE SPECIFIED:	DWN J.W.DAVIS 02AUG06	Tyco Electronics Corporation Harrisburg Pa, 17105-3608
	0 PLC ± -	CHK D.FENNELL 02AUG06	NAME CABLE ASSEMBLY, 62.5/125um, 72 FIBER, OFNP, PAIRS FLIPPED, MPO
	1 PLC ± -	APVD D.FENNELL 02AUG06	
	2 PLC ± -	PRODUCT SPEC	
	3 PLC ± -	APPLICATION SPEC	
	4 PLC ± -	WEIGHT	
MATERIAL	FINISH	SIZE A2	CAGE CODE 00779
		DRAWING NO	RESTRICTED TO
		SCALE NTS	SHEET 2 OF 3
		REV B	

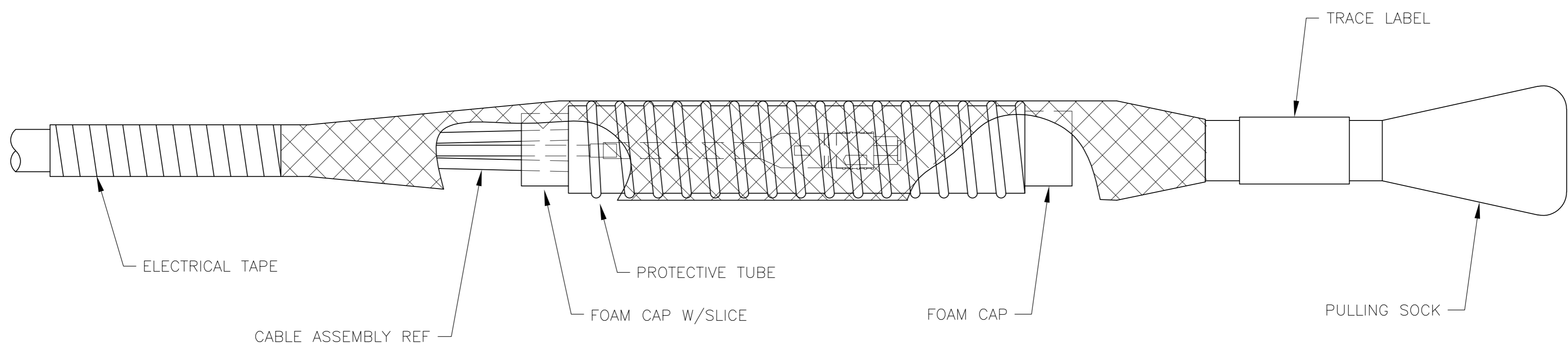
6435027

THIS DRAWING IS UNPUBLISHED. RELEASED FOR PUBLICATION
 © COPYRIGHT BY TYCO ELECTRONICS CORPORATION. ALL RIGHTS RESERVED.

LOC	DIST	REVISIONS					
CE	16	P	LTR	DESCRIPTION	DATE	DWN	APVD
				SEE SHEET 1			



3 PROTECTIVE COVER
BOTTOM END



2 PULLING SOCK
TOP END

THIS DRAWING IS A CONTROLLED DOCUMENT.		DWN	J.W.DAVIS	02AUG06	Tyco Electronics Corporation Harrisburg Pa, 17105-3608		
DIMENSIONS: INCHES		CHK	D.FENNELL	02AUG06	NAME		
TOLERANCES UNLESS OTHERWISE SPECIFIED:		APVD	D.FENNELL	02AUG06	CABLE ASSEMBLY, 62.5/125um, 72 FIBER, OFNP, PAIRS FLIPPED, MPO		
0 PLC ± -		PRODUCT SPEC	SIZE				
1 PLC ± -		APPLICATION SPEC	CAGE CODE				
2 PLC ± -		WEIGHT	DRAWING NO				
3 PLC ± -		FINISH	RESTRICTED TO				
4 PLC ± -		MATERIAL	SCALE				
ANGLES ± -			SHEET				
FINISH			REV				
			CUSTOMER DRAWING				
			SCALE NTS SHEET 3 OF 3 REV B				

6435027