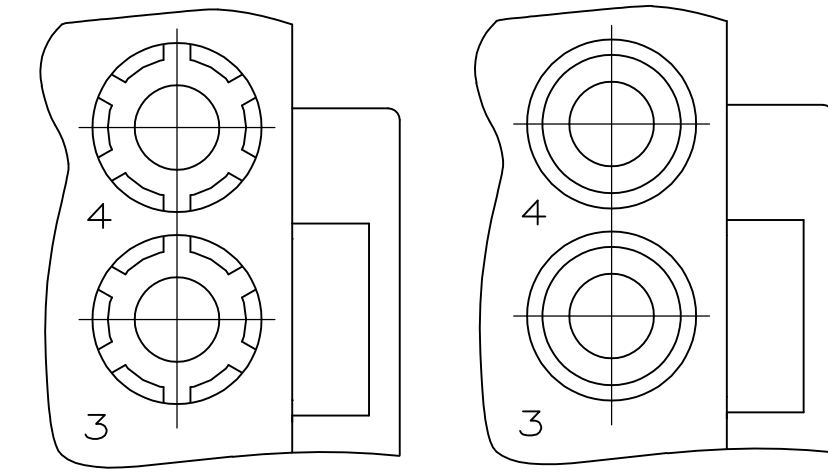
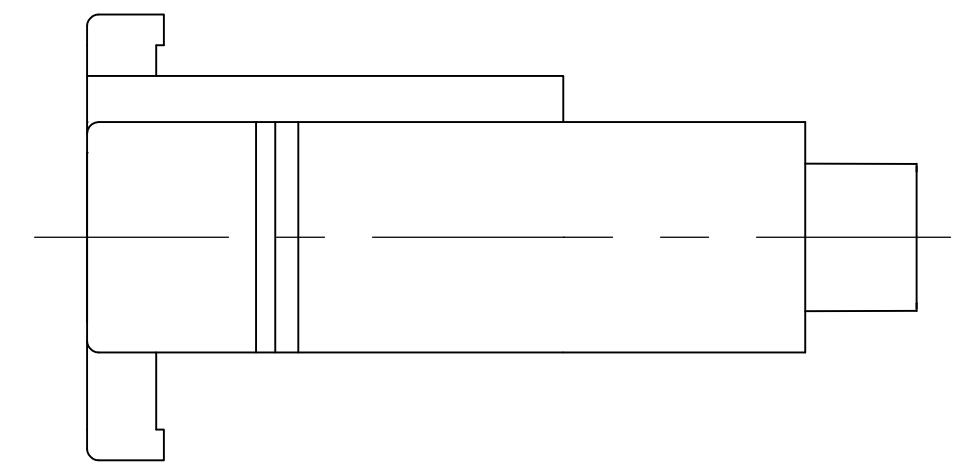
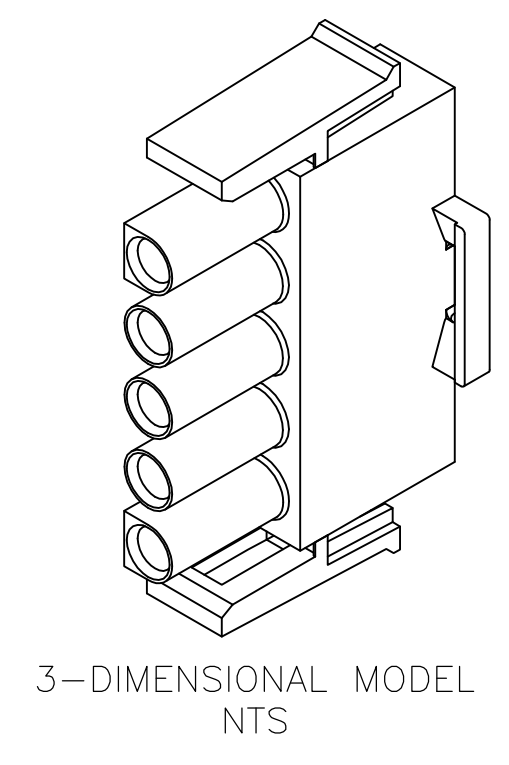


- MATES WITH APPROPRIATE UNIVERSAL MATE-N-LOK™ CAP OR HEADER.
- SMALL NICKS ARE PERMITTED ON THE CIRCUIT TOWERS WHICH COULD INCREASE THE INITIAL HOUSING MATING FORCE BY UP TO 4.4 NEWTONS [1.0 LBS]. NO INDIVIDUAL NICKED TOWER SHALL INCREASE THIS FORCE BY OVER 2.2 NEWTONS [.5 LBS].
- DIMENSION INDICATED IS AS MOLDED. ADDITIONAL GROWTH DUE TO SUBSEQUENT MOISTURE ABSORPTION MAY OCCUR.
- FOUR RIBS EQUALLY SPACED, NO SPECIFIC ORIENTATION. NO RIBS OR SIX RIBS EQUALLY SPACED, NO SPECIFIC ORIENTATION, OPTIONAL.
- UNDERWRITERS RECOGNIZED COMPONENT LOGO AND CSA CERTIFICATION LOGO TO BE LOCATED ONCE EACH ON SIDE OF HOUSING.



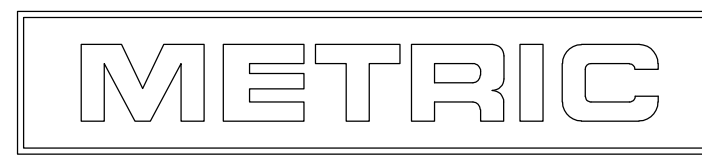
DETAIL A
OPTIONAL CONSTRUCTION



BLACK	1-350809-9	
GRAY	1-350809-8	
BLUE	1-350809-6	
GREEN	1-350809-5	
YELLOW	1-350809-4	
ORANGE	1-350809-3	
RED	1-350809-2	
BROWN	1-350809-1	
SUPERCEDED BY 1-350809-9	BLACK	350809-2
	NATURAL	350809-1
	COLOR	PART NO.

33.02	1.300
27.43	1.080
14.73	.580
11.68	.460
7.62	.300
0.38	.015
0.13	.005
MM	IN

CONVERSION TABLE



THIS DRAWING IS A CONTROLLED DOCUMENT.

DIMENSIONS:	TOLERANCES UNLESS OTHERWISE SPECIFIED:	DIN R VESTAL 24FEB95	CHK R SWING 24FEB95	APPRO D SELF 24FEB95	NAME
mm	0. PLC ± - 1. PLC ± - 2. PLC ± 0.13 3. PLC ± - 4. PLC ± - ANGLES ± 0°30'	APPRO D SELF 24FEB95	NAME	PRODUCT SPEC	PLUG, 5 CIRCUIT, UNIVERSAL MATE-N-LOK™
MATERIAL NYLON, UL 94V-0 WHITE	FINISH -	WEIGHT -	SIZE A1	SCALE 4:1	SHEET 1 OF 1
CUSTOMER DRAWING		SCALE 4:1		SHEET 1 OF 1	

STE TE Connectivity

4805 (3/11)