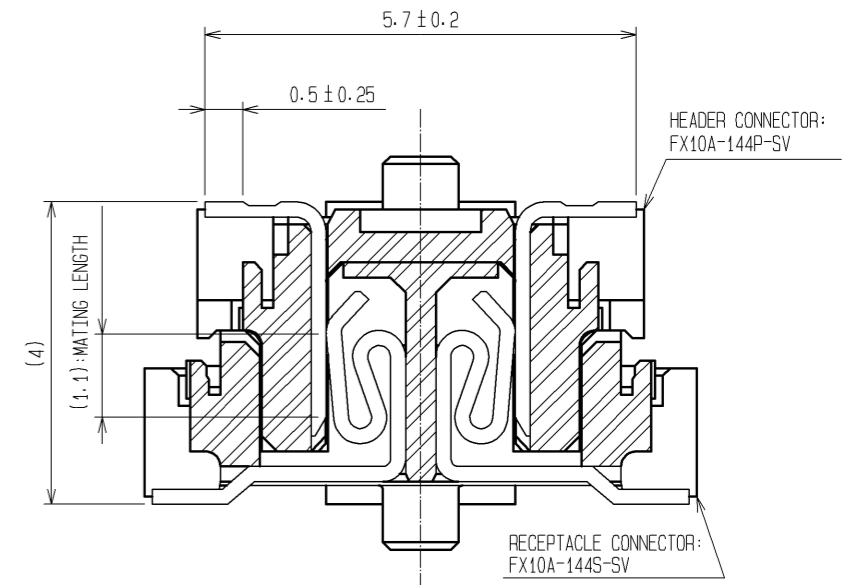
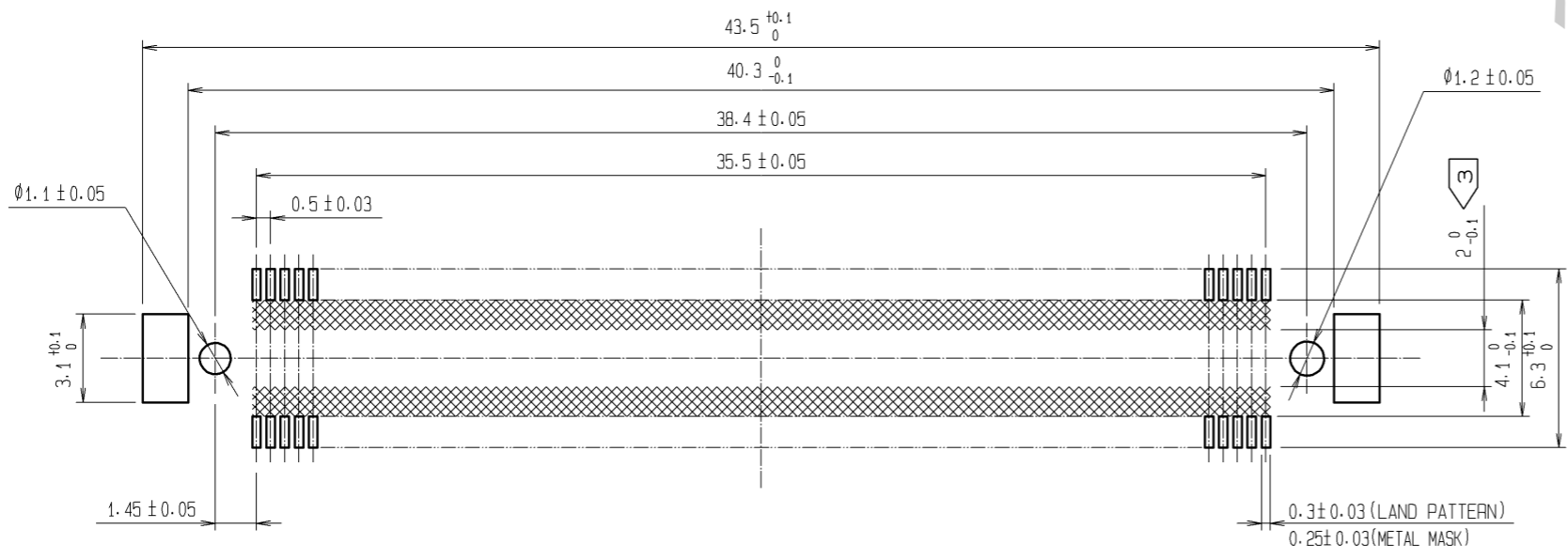


CROSS CUT SECTION (10:1)



RECOMMENDED LAND PATTERN DIMENSION OF PCB
(RECOMMENDED METAL MASK THICKNESS: 0.15mm)



1	LCP	BEIGE	UL94V-0	3	PHOSPHOR BRONZE	TIN-PLATING		
NO.	MATERIAL	FINISH . REMARKS		NO.	MATERIAL	FINISH . REMARKS		
				2	PHOSPHOR BRONZE	CONTACT AREA: GOLD 0.1μm min. LEAD AREA: TIN-PLATING 1μm min. UNDER PLATING: NICKEL 1μm min.		
UNITS		SCALE	COUNT	DESCRIPTION OF REVISIONS		DESIGNED	CHECKED	DATE
mm		4 : 1	△	APPROVED : HS. OKAWA	09.04.14	DRAWING NO. EDC3-151954-25		
HRS HIROSE ELECTRIC CO., LTD.		CHECED : HT. YAMAGUCHI	09.04.14	PART NO. FX10A-144P-SV(71)				
		DESIGNED : SY. KAMIGA	09.04.14	CODE NO. CL570-0043-5-71				
		DRAWN : HK. SUNADORI	09.04.13					