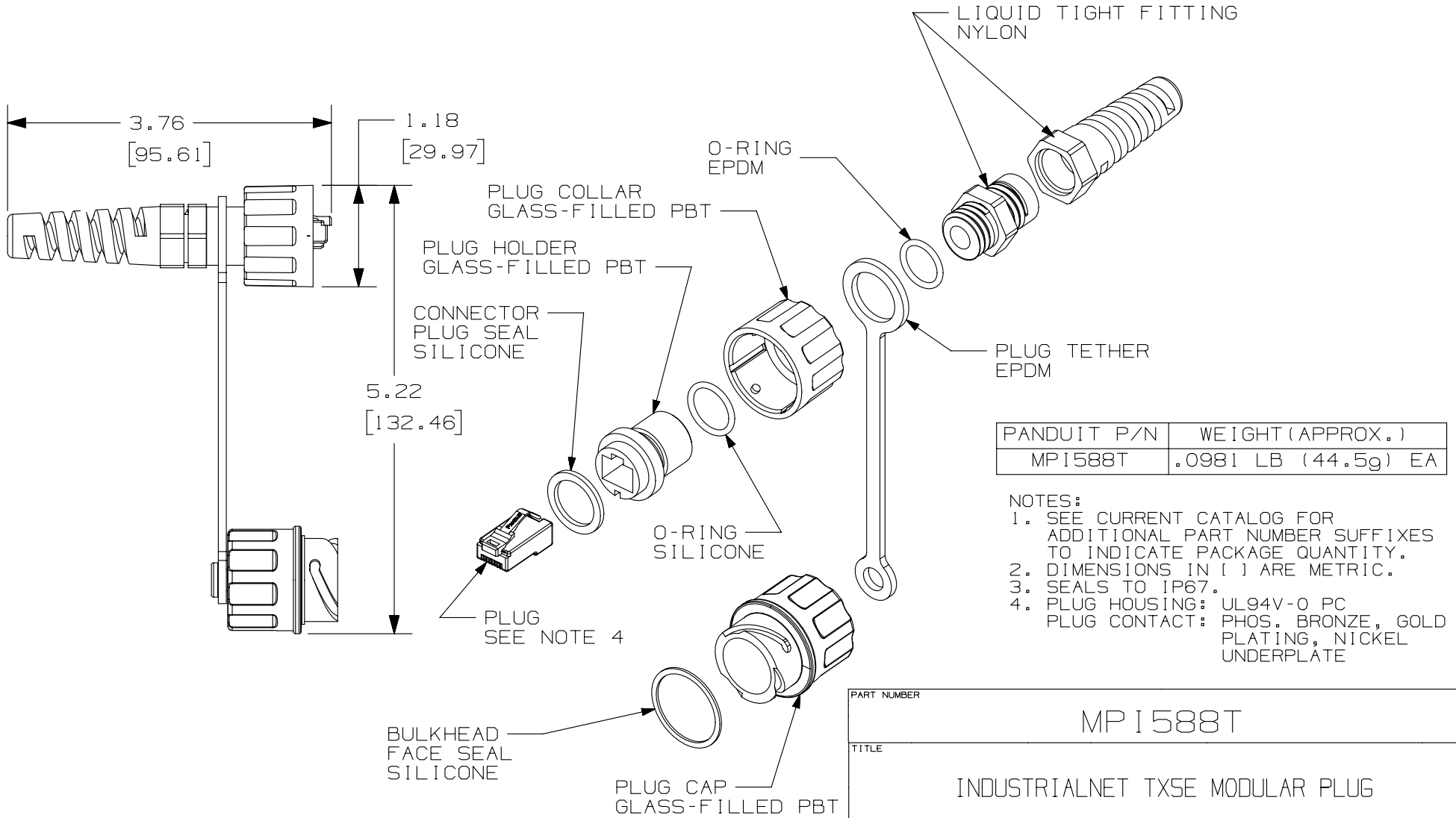


THIS COPY IS PROVIDED ON A RESTRICTED BASIS AND IS NOT TO BE USED IN ANY WAY DETRIMENTAL TO THE INTERESTS OF PANDUIT CORP.



PANDUIT P/N	WEIGHT (APPROX.)
MPI588T	.0981 LB (44.5g) EA

- NOTES:
- SEE CURRENT CATALOG FOR ADDITIONAL PART NUMBER SUFFIXES TO INDICATE PACKAGE QUANTITY.
 - DIMENSIONS IN [] ARE METRIC.
 - SEALS TO IP67.
 - PLUG HOUSING: UL94V-0 PC
PLUG CONTACT: PHOS. BRONZE, GOLD PLATING, NICKEL UNDERPLATE

PART NUMBER		MPI588T	
TITLE			
INDUSTRIALNET TXSE MODULAR PLUG			
CUSTOMER DRAWING			
ITEM REVISION NAME		M01245CF/04	
DATASET FILE NAME		M01245CF_DC24/04A	
UNLESS OTHERWISE SPECIFIED, DIMENSIONAL TOLERANCES ARE: IN [mm]		MATERIAL:	
.x ± .xxx ± .010 [.3]		DRAWING NUMBER:	
.xx ± .03 [.8]		01245-24	
ANGLES ±		THIRD ANGLE PROJECTION	
DRAWN BY		SCALE	
MDJR		NONE	
DATE		SHT 1 OF 1	
5-30-03		A	
CHK		SIZE	
KLR		A	

REV	DATE	BY	CHK	APR	DESCRIPTION	ECN
6	4-21-14	MDJR	REFR	GAZ	REVISED AND REDRAWN, ALL PREVIOUS REVISIONS HAVE BEEN OMITTED. A. UPDATED TITLE BLOCK.	01245-24

D101000DA/14

2

1

2

1