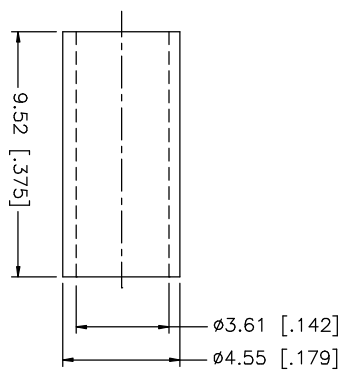
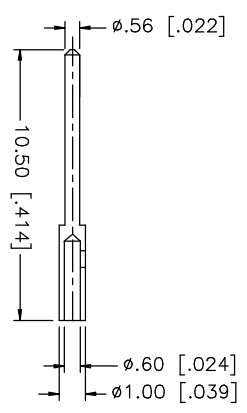
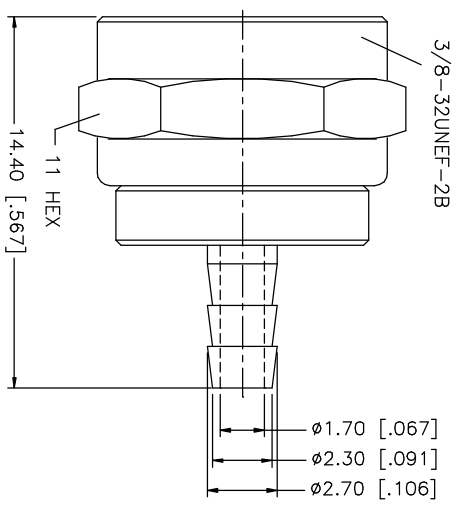
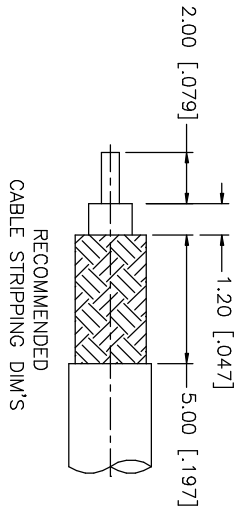


REV.	DATE	DESCRIPTION
A	06/11/03	UPDATE DRAWING FORMAT / MODIFY FERRULE LENGTH



NOTES:

1. CRIMPED FERRULE
HEX CRIMP SIZE .151"

QTY	FINISH	MATERIAL	DESCRIPTION
1	TIN LEAD	COPPER	FERRULE
1	BRT. TIN	BRASS	CONTACT PIN
1	NATURAL	TEFLON	INSULATOR
1	TIN LEAD	BRASS	BODY

UNLESS OTHERWISE SPECIFIED DIMENSIONS ARE IN MILLIMETERS DIMENSIONS IN [] ARE IN INCHES AND FOR CUSTOMER REFERENCE ONLY.	UNLESS OTHERWISE SPECIFIED TOLERANCES FOR MILLIMETERS ARE:	UNLESS OTHERWISE SPECIFIED TOLERANCES FOR INCHES ARE:
	0.5 - 8mm ± 0.20mm	.020 - .315 = ± 0.007"
	8 - 30mm ± 0.40mm	.315 - 1.180 = ± 0.015"
	30 - 120mm ± 0.50mm	1.180 - 4.724 = ± 0.020"

APPROVALS	DATE
DRAWN G.R.S.	06/11/03
CHECKED	
ISSUED	
SHEET 1 OF 1	

APPENDIX	DESCRIPTION
F	CRIMP PLUG (FOR RG-316/U CABLE - DOUBLE BRAID)

DWG. NO.	REV.	SIZE	SCALE
222183.DWG	A	A	NA

Amphenol Connex

222183