

4

3

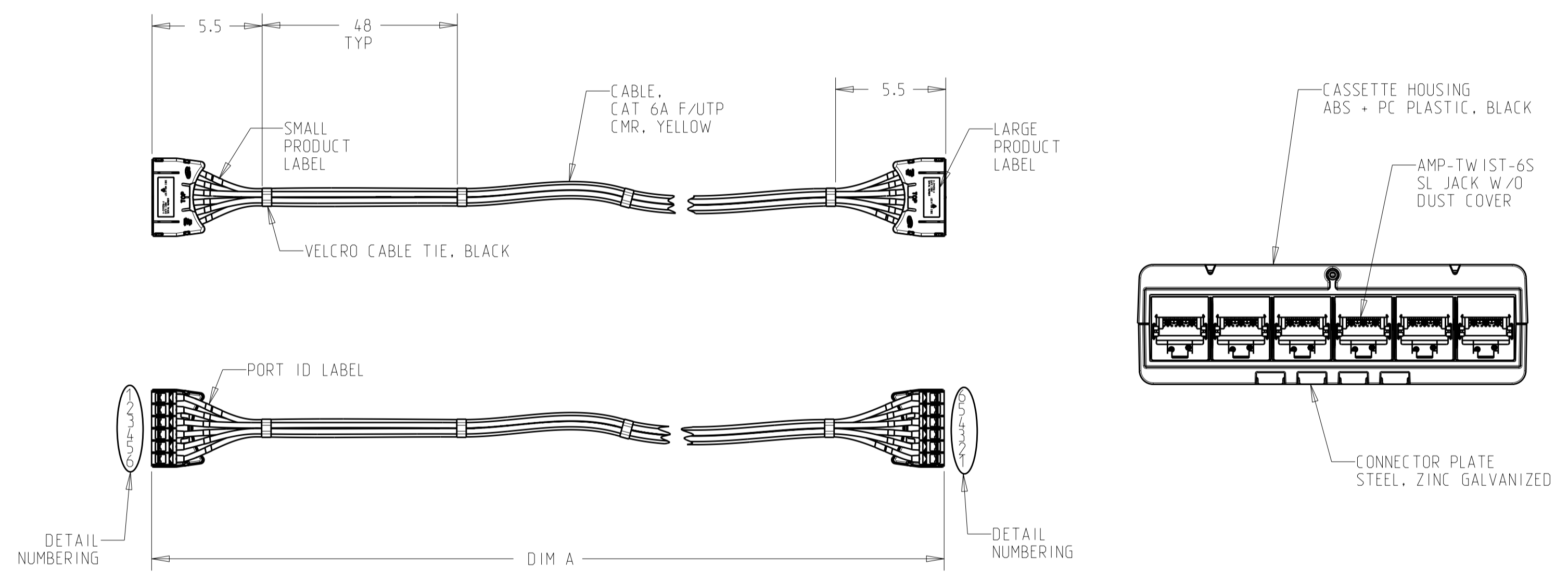
2

1

THIS DRAWING IS UNPUBLISHED. RELEASED FOR PUBLICATION 20
 © COPYRIGHT 20 BY - ALL RIGHTS RESERVED.

| LOC | DIST | REVISIONS | | | | | |
|-----|------|-----------|-----|-----------------------|-----------|-----|------|
| HM | 00 | P | LTR | DESCRIPTION | DATE | DWN | APVD |
| | | A | | RELEASE ECO-11-005862 | 22MAR2011 | LH | DC |
| | | | | | | | |
| | | | | | | | |

- 100% TESTING FOR EACH SINGLE ELEMENT IN ACCORDANCE WITH TIA 568C.2 CAT.6A PERMANENT LINK.
- WIRING PATTERN IN ACCORDANCE WITH T568B.



| | | |
|-----------|-----------------|-------------|
| 85 | 1020.00-1026.00 | 8-2111410-5 |
| 75 | 900.00-906.00 | 7-2111410-5 |
| 64 | 768.00-774.00 | 6-2111410-4 |
| FEET, REF | DIM A | PART NO. |

| | | | |
|---|--|---|---------------------|
| THIS DRAWING IS A CONTROLLED DOCUMENT. | | DWN L. HALL 22MAR2011 | TE Connectivity |
| DIMENSIONS: INCHES | | CHK D. CRAIG 22MAR2011 | |
| TOLERANCES UNLESS OTHERWISE SPECIFIED: | | APVD D. CRAIG 22MAR2011 | |
| 0 PLC ±.75 1 PLC ±.50 2 PLC ± 3 PLC ± 4 PLC ± ANGLES ± FINISH ± | | PRODUCT SPEC - APPLICATION SPEC - WEIGHT - CUSTOMER DRAWING | |
| MATERIAL | | NAME BUNDLED CABLE ASSY, CASSETTE TO CASSETTE CAT 6A, F/UTP, CMR, YELLOW | |
| | | SIZE A2 | RESTRICTED TO |
| | | CAGE CODE 00779 | |
| | | DRAWING NO 2111410 | |
| | | SCALE n.a. | SHEET 1 OF 1 REV A |