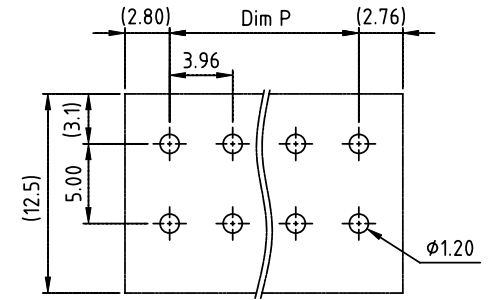
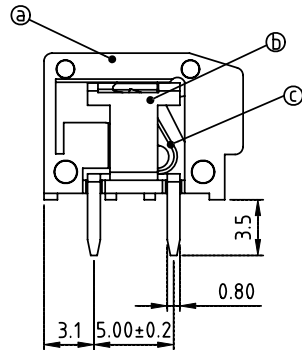
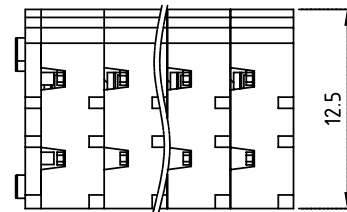
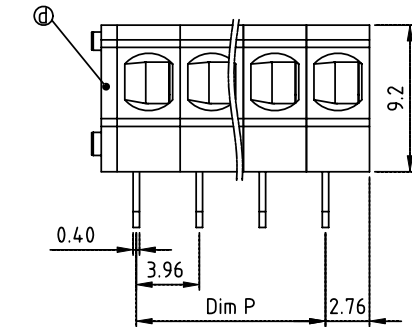
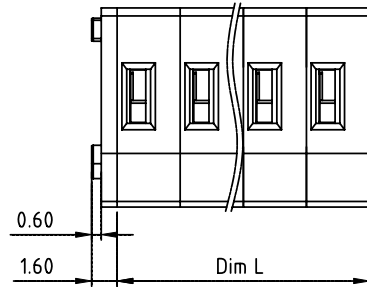


|                |         |
|----------------|---------|
| PRODUCT NUMBER | PITCH   |
| HBxx41x100J0G  | 3.96 mm |



RECOMMENDED P.C.B LAYOUT  
TOP VIEW

Material:

- Item@ Insulating body: Thermoplastic ( UL94V-0 )
- ItemⓁ Solder pin: Brass Tin plated.
- Itemⓐ Spring clamp: Stainless steel
- ItemⓄ Side Cover: Thermoplastic ( UL94V-0 )

Electrical:

- Voltage rating: cULus 300V
- Current rating: 10A
- Wire range:
- Solid wire(AWG): 16-20
- Stranded wire(AWG): 16-20
- Wire strip length: 9-10mm
- Withstanding Voltage: 1.6KV
- Operating temperature: -40°C to +115°C
- Soldering temperature: 260°C ±5°C/5 Sec

N=Number of poles  
Dim L=N×3.96  
Dim P=(N-1)×3.96

| Poles  | Tolerance |
|--------|-----------|
| 2-6p   | ±0.15     |
| 7-12p  | ±0.25     |
| 13-18p | ±0.30     |
| 19-24p | ±0.40     |

PART NO.: HB xx 41 x 1 00J0 G

|     | End stackable | No. of poles | Color             | RoHS compliant               |
|-----|---------------|--------------|-------------------|------------------------------|
| 0   | 0             | 2            | Black (RAL9005)   | (lead<4%)<br>In copper Alloy |
| 02  | 2             | 2            | Red (RAL3001/D)   |                              |
| 03  | 3             | 3            | Orange(RAL2011/P) |                              |
| ... | ...           | 4            | Yellow(RAL1018/A) |                              |
| ... | ...           | 5            | Green(RAL6018/T)  |                              |
| 24  | 24            | 6            | Blue (RAL5015/A)  |                              |
|     |               | 8            | Grey(RAL7004/P)   |                              |
|     |               | 9            | White(RAL1102)    |                              |
|     |               | C            | Multiple colors   |                              |

|                                       |                |                       |                         |            |  |
|---------------------------------------|----------------|-----------------------|-------------------------|------------|--|
| mat'l. code                           |                | surface<br>ASME Y14.5 | tolerance<br>ASME Y14.5 | projection | product family<br>TERMINAL BLOCK   |
| ltr                                   | ecn no         | dr                    | date                    | <br>MM     | title<br>TERMINAL BLOCK  |
| tolerances unless otherwise specified |                |                       |                         |            |  |
| angles                                |                | X.±0.5                |                         | <br>scale  | SPRING CLAMP,180D WIRE INLET,WITHOUT LEVER<br>dwg no<br>sheet 1 of 1 size<br>HBxx41x100J0G<br>A4 |
| X°±1'                                 |                | X.X±0.3               |                         |            |  |
| dr                                    |                | EVIN ZHONG            | 052614                  |            | type<br>CUSTOMER Drawing   |
| enr                                   |                | EVIN ZHONG            | 052614                  |            |  |
| chr                                   |                | HANKE FENG            | 052614                  |            |  |
| appd                                  |                | SHI JUN               | 052614                  |            |  |
| sheet index                           | revision sheet | A                     | 1                       |            |  |