

# Thermofit® Molded Parts

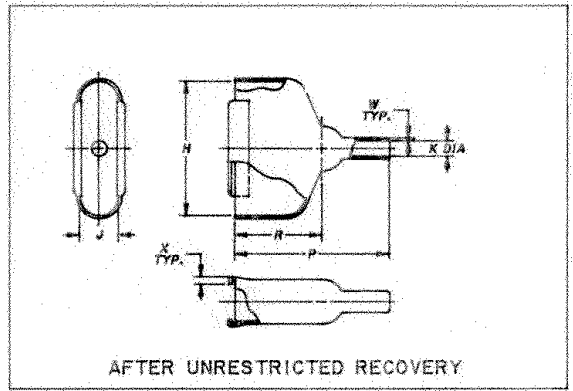
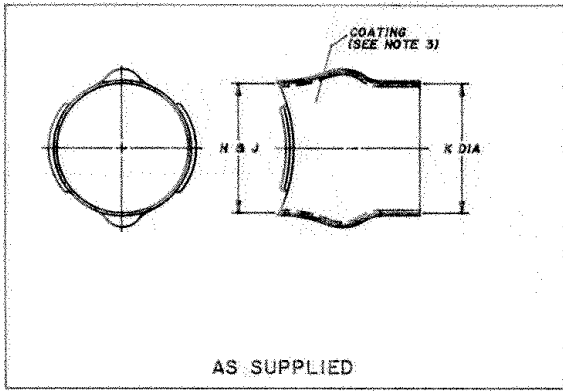
## Specification Control Drawing

Part Number : 214A3XX-X-02  
 Description: BOOT, RECTANGULAR, SUBMINIATURE, STRAIGHT, OVER EXPANDED

### LIMITED DISTRIBUTION

#### NOTES

- ALL DIMENSIONS ARE IN INCHES  
(MILLIMETERS)
- DIMENSIONS APPEARING IN TABLE ARE AS FOLLOWS:  
 a - AS SUPPLIED  
 b - AFTER UNRESTRICTED RECOVERY
- COATING IS STANDARD, AS SUPPLIED DIMENSIONS APPEARING IN TABLE ARE FOR UNCOATED PARTS. WHEN COATING IS ADDED, ENTRY DIAMETERS WILL BE REDUCED BY .06 MAX.. PART IS COATED THROUGHOUT INCLUDING LIPS.



PART NUMBER	TABLE OF DIMENSIONS									
	H		J		K		P	R	W	X
	Min a	±5% b	Min a	±5% b	Min a	MAX b	±10% b	±10% b	±20% b	±20% b
214A311	.63 (16,0)	.80 (20,3)	.63 (16,0)	.42 (10,7)	.63 (16,0)	.16 (4,1)	1.31 (33,3)	.75 (19,1)	.04 (1,02)	.12 (3,05)
214A321	.75 (19,1)	1.11 (28,2)	.75 (19,1)	.42 (10,7)	.75 (19,1)	.21 (5,3)	1.53 (38,9)	.87 (22,1)	.04 (1,02)	.12 (3,05)
214A332	1.15 (29,2)	1.66 (42,2)	1.15 (29,2)	.42 (10,7)	1.15 (29,2)	.32 (8,1)	1.77 (45,0)	1.00 (25,4)	.04 (1,02)	.12 (3,05)
214A342	1.35 (34,3)	2.31 (58,7)	1.35 (34,3)	.42 (10,7)	1.35 (34,3)	.34 (8,6)	2.10 (53,3)	1.12 (28,4)	.04 (1,02)	.12 (3,05)
214A352	1.48 (37,6)	2.28 (57,9)	1.48 (37,6)	.54 (13,7)	1.48 (37,6)	.42 (10,7)	2.40 (61,0)	1.25 (31,8)	.04 (1,02)	.12 (3,05)

**Raychem**  
 RAYCHEM CORPORATION  
 300 CONSTITUTION DRIVE  
 MENLO PARK, CALIFORNIA 94025  
 (415) 361-6033

If this document is printed it becomes uncontrolled.  
 Check for the latest revision.

REVISION : NEW  
 DATE : 9-17-84

Part Number: 214A3XX-X-02  
 Description: BOOT, RECTANGULAR, SUBMINIATURE, STRAIGHT, OVER EXPANDED

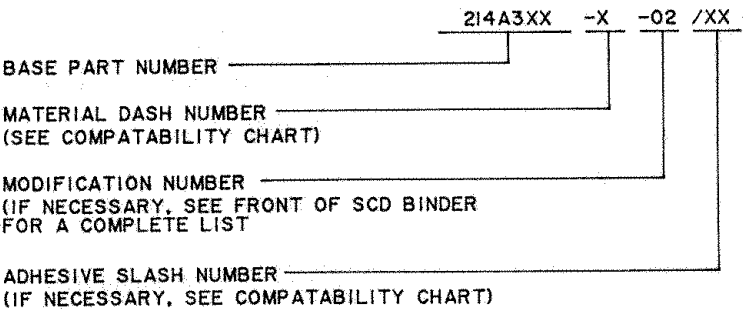
LIMITED DISTRIBUTION

Part Number : 214A3XX-X-02  
 Description : *BOOT, RECTANGULAR,  
 SUBMINIATURE, STRAIGHT, OVER EXPANDED*

**COMPATABILITY CHART**

MATERIAL DASH NO.	MATERIAL DESCRIPTION	RT SPEC	COATING SLASH NO.	COATING S NO.	COATING DESCRIPTION
-3	POLYOLEFIN, SEMI-RIGID	RT-301	/42:/86	S-1017:S-1048	ADHESIVE
-4	POLYOLEFIN, FLEXIBLE	RT-1304	/42:/86	S-1017:S-1048	ADHESIVE
-8	POLYOLEFIN, SPACE	RT-1308			

**ORDERING INFORMATION**



THIS DRAWING IS SUBJECT TO CHANGE WITHOUT NOTICE! CONSULT YOUR  
 NEAREST FIELD REPRESENTATIVE FOR CURRENT REVISION

If this document is printed it becomes uncontrolled.  
 Check for the latest revision.



RAYCHEM CORPORATION  
 300 CONSTITUTION DRIVE  
 MENLO PARK, CALIFORNIA 94025  
 (415) 361-6066

REVISION: NEW  
 DATE: 9-17-84

Part Number : 214A3XX-X-02  
 Description : *BOOT, RECTANGULAR,  
 SUBMINIATURE, STRAIGHT, OVER EXPANDED*