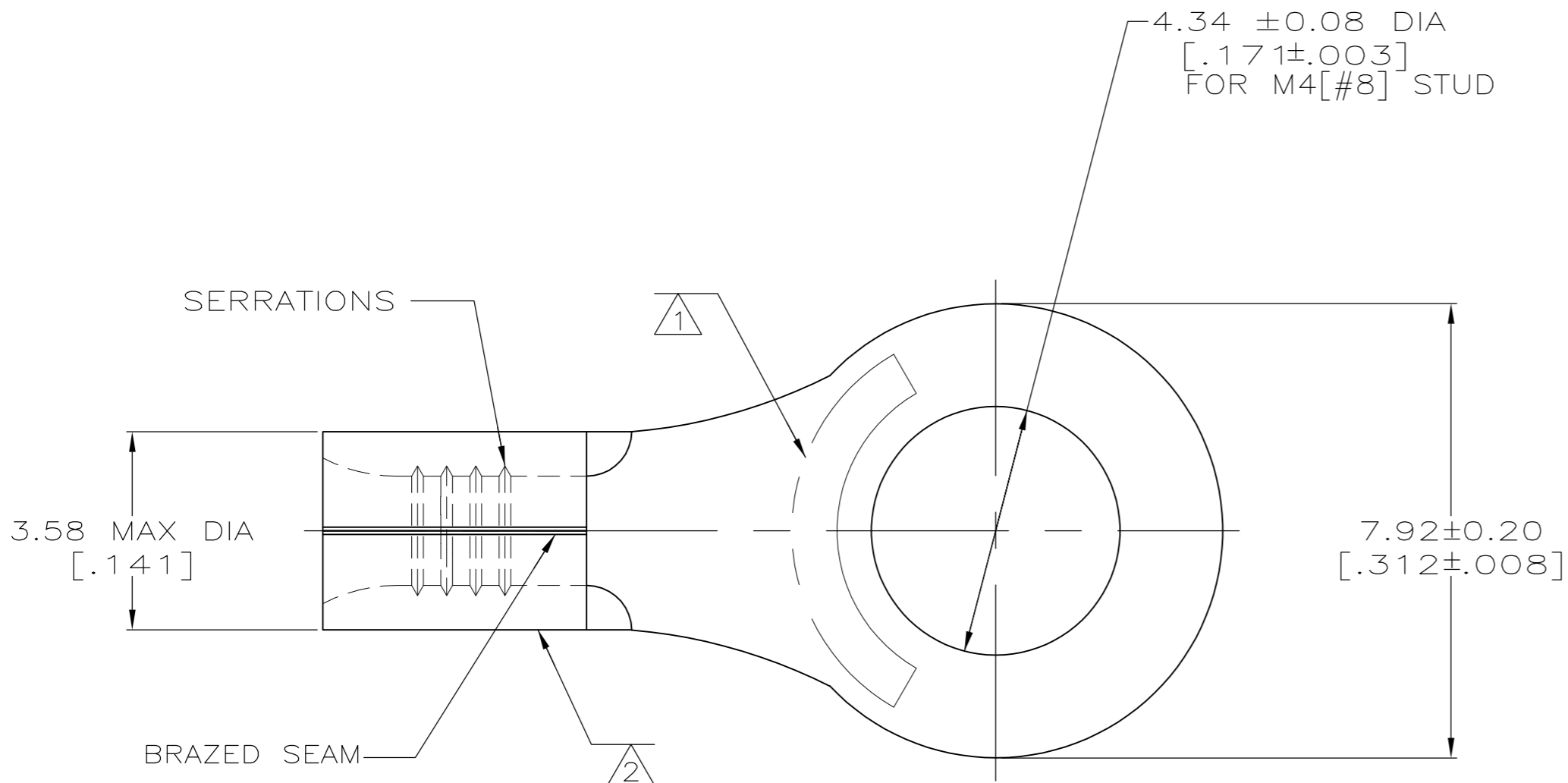


THIS DRAWING IS UNPUBLISHED. RELEASED FOR PUBLICATION
 © COPYRIGHT - By - ALL RIGHTS RESERVED.

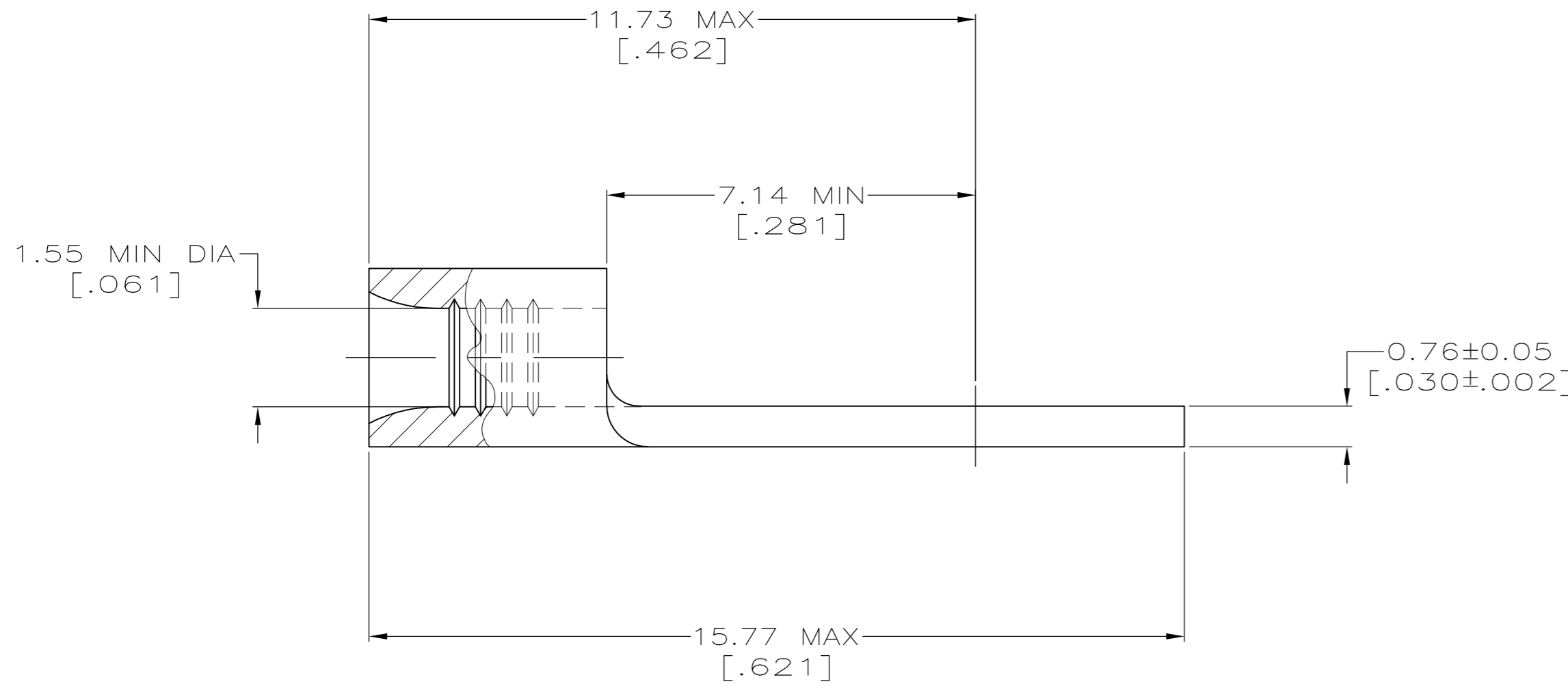
| LOC | DIST | REVISIONS | | | |
|-----|------|-------------|---------------------------|---------|-------|
| P | LTR | DESCRIPTION | DATE | DWN | APVD |
| G | 14 | J2 | REVISED PER ECO-12-003796 | 28FEB12 | KH DR |

AMP
WIRE RANGE

22-16 AWG
SOLID OR STRANDED



- 1 STAMP AMP 22-18 APPROX AS SHOWN
22-16 TERMINALS ARE STAMPED 22-18 IN ACCORDANCE WITH MILITARY SPECIFICATION SAE AS7928; COMMERCIAL WIRE RANGE IS 22-16
- 2 WIRE BARREL COLOR CODED ORANGE TO DENOTE NICKEL MATERIAL
- 3 NICKEL PER ASTM B-162, ANNEALED
- 4 NICKEL-CHROMIUM ALLOY THERMOCOUPLE MATERIAL "TYPE K" POSITIVE LEAD PER ASTM E230, ANNEALED.
- 5 NICKEL-MAGNANESE-ALUMINUM ALLOY THERMOCOUPLE MATERIAL "TYPE K" NEGATIVE LEAD PER ASTM E230, ANNEALED.
- 6 GOLD PLATE 0.00127[.000050] MIN EXT. THK ASTM B488, TYPE1, CODE C OVER NICKEL FLASH PER SAE AMS QQ-N-290 WOODS NICKEL FLASH PER ASTM B558.
- 7 NOTE DELETED



| MAX OPERATING TEMPERATURE | QTY | PACKAGE TYPE | MATERIAL | FINISH | PART NO. |
|---------------------------|------|--------------|----------|--------|------------|
| 649°C [1200°F] | 1000 | LOOSE PIECE | 5 | NONE | 2-321895-4 |
| 649°C [1200°F] | 1000 | LOOSE PIECE | 4 | NONE | 2-321895-2 |
| 649°C [1200°F] | 1000 | LOOSE PIECE | 3 | NONE | 2-321895-1 |
| 260°C [500°F] | 1000 | LOOSE PIECE | 3 | 6 | 321895-1 |
| 649°C [1200°F] | 1000 | LOOSE PIECE | 3 | 2 | 321895 |

| CUSTOMER SERVICE SYSTEMS | | MAX RECOMMENDED OPERATING TEMPERATURE: |
|--|--|--|
| FOR ADDITIONAL PRODUCT INFORMATION OR COPIES OF DRAWINGS AND TECHNICAL DOCUMENTS | PRODUCT INFORMATION CENTER 1-800-522-6752 | SEE TABLE |
| FOR APPLICATION TOOLING INFORMATION | TOOLING ASSISTANCE CENTER 1-800-722-1111 | VOLTAGE RATING: NONE |
| FOR ORDER ENTRY | 1-800-526-5142 | CIRCULAR MIL AREA: 0.26-1.65mm² [509-3260] SOLID OR STRANDED |

| THIS DRAWING IS A CONTROLLED DOCUMENT. | |
|--|--|
| DIMENSIONS: MM [INCHES] | TOLERANCES UNLESS OTHERWISE SPECIFIED: |
| 0 PLC ± - | 1 PLC ± - |
| 2 PLC ± 0.20 [.008] | 3 PLC ± - |
| 4 PLC ± - | ANGLES ± - |
| MATERIAL SEE TABLE | FINISH SEE TABLE |

| DWN | | 4-15-93 | | TE Connectivity | |
|------------------|--------------|---------|-------|---|---------------|
| CHK | DA PATTERSON | 4-15-93 | | NAME | |
| APVD | JL MECKLEY | 4-15-93 | | TERMINAL, RING TONGUE, HIGH TEMPERATURE, STRATO-THERM, SOLISTRAND | |
| PRODUCT SPEC | | | | SIZE | RESTRICTED TO |
| APPLICATION SPEC | | | | A2 00779 | |
| WEIGHT | - | | | C=321895 | |
| CUSTOMER DRAWING | | | SCALE | SHEET | REV |
| | | | 10:1 | 1 of 1 | J2 |