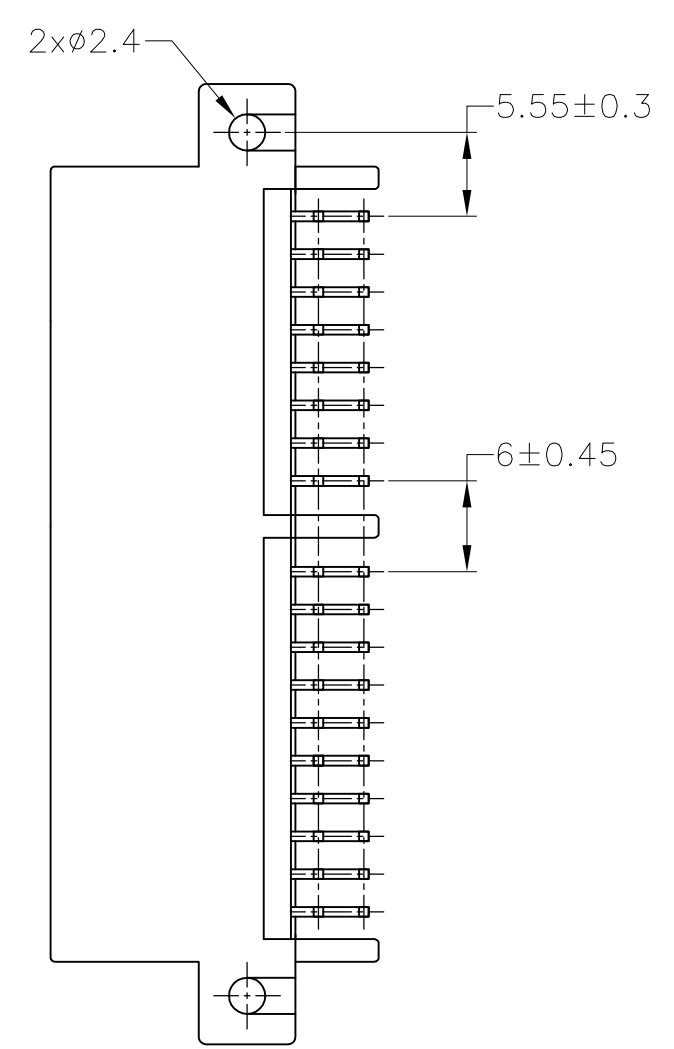
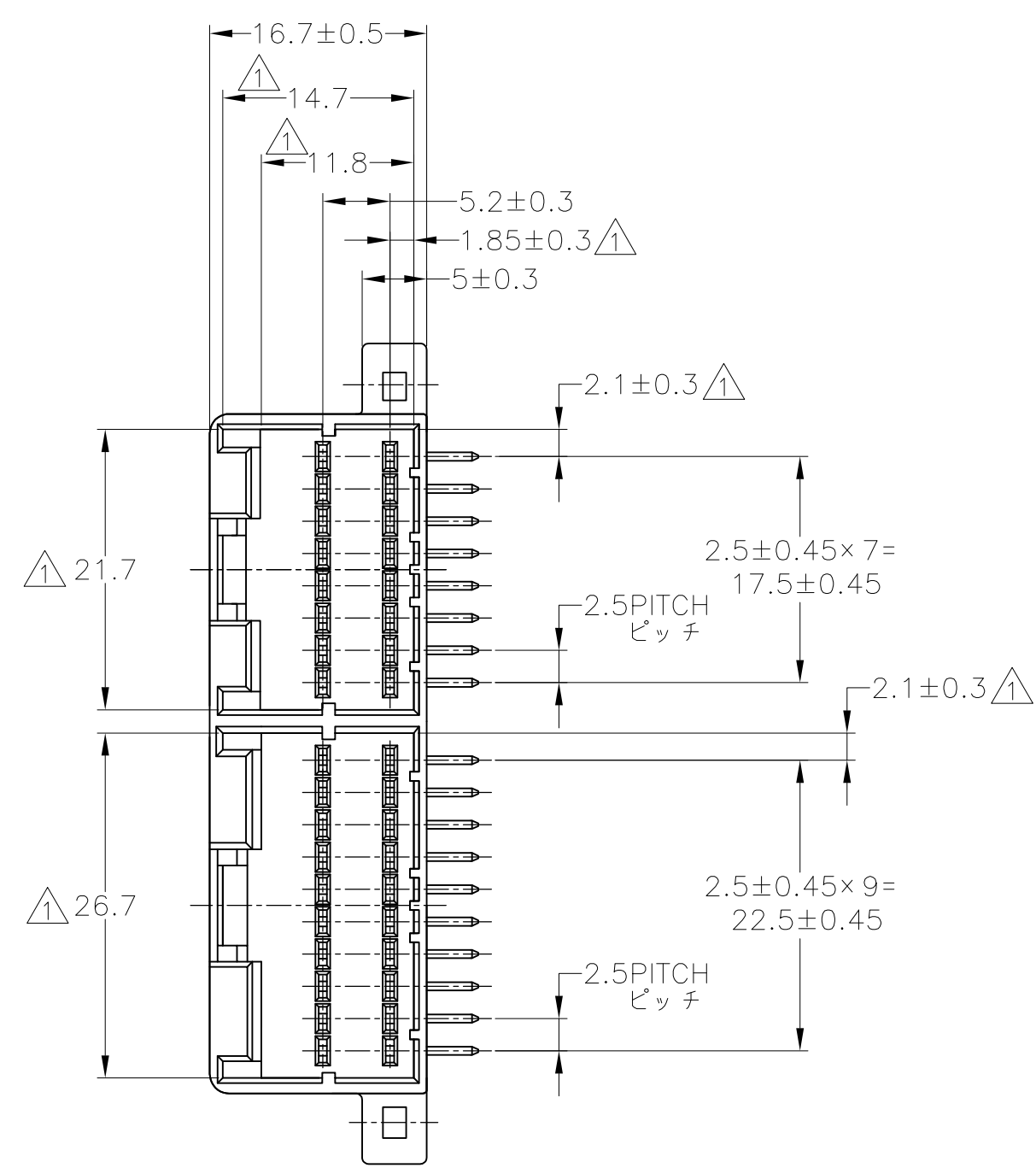
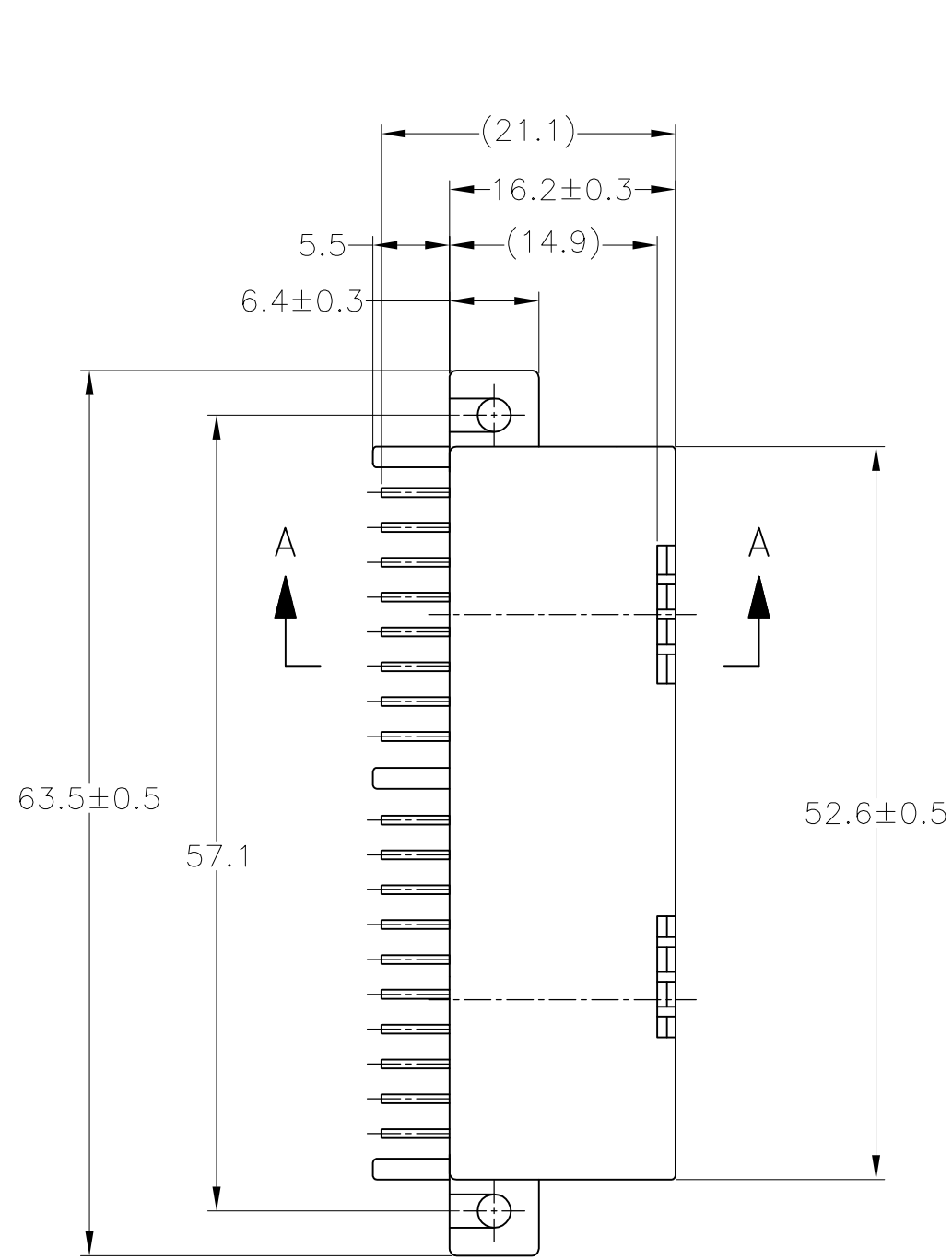
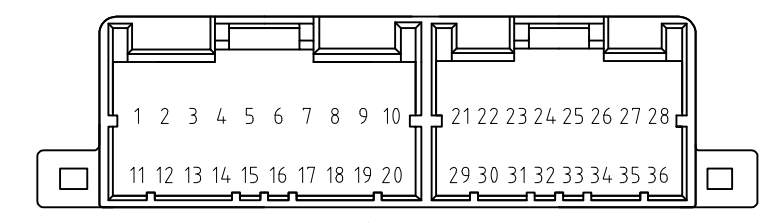
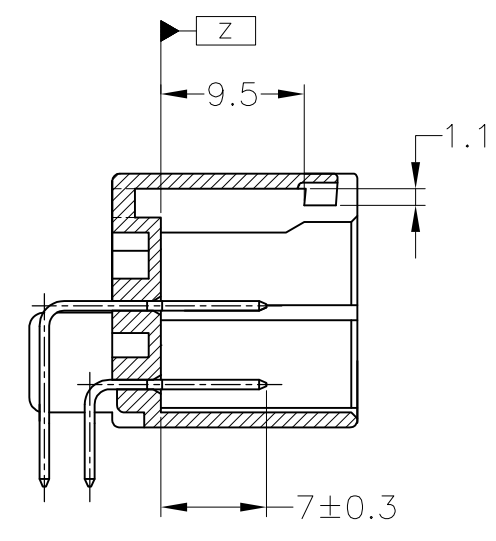
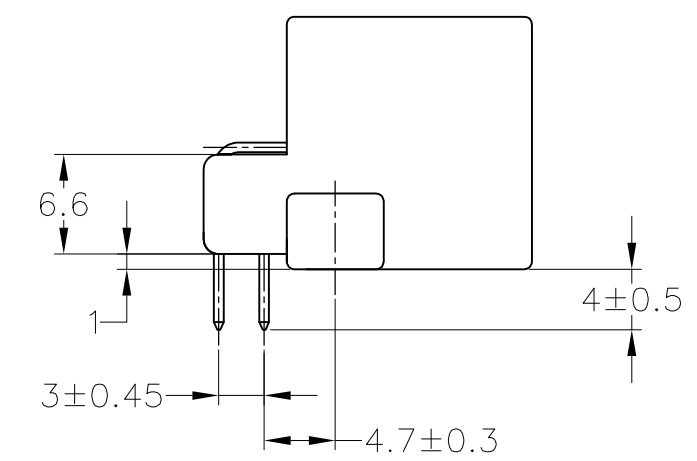


THIS DRAWING IS UNPUBLISHED. RELEASED FOR PUBLICATION  
 © COPYRIGHT - By - ALL RIGHTS RESERVED.

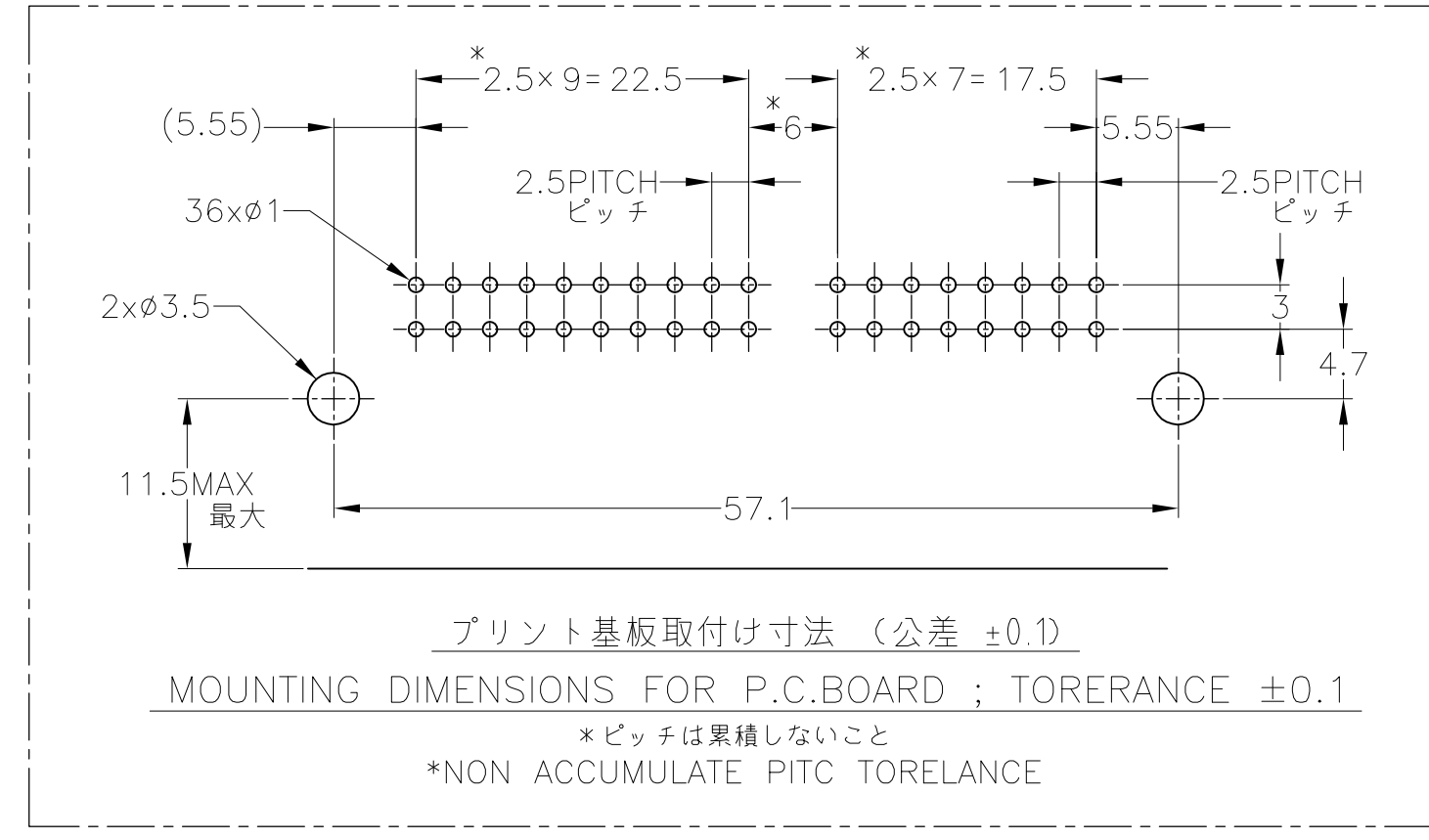
LOC	DIST	REVISIONS					
		P	LTR	DESCRIPTION	DATE	DWN	APVD
J	-	G2	REVISED	ECO-15-008937	15JUN15	KF	RK



- ① Z面より2mmの範囲で測定。
  - 2. 適用プリント基板厚：1.6mm
  - 3. 嵌合相手ハウジング型番：174046, 174047
  - 4. 推奨取付けねじ：JIS B1115, B1122 タッピンねじ, なべ2種  
呼び径3, 長さ7mm以上 (締付けトルク：0.4N-m以下)
  - 5. 製品規格番号：108-5244, 取扱説明書：411-5883
  - ⑥ 回路番号：FIG.1 参照
- ① TO BE MEASURED WITHIN 2mm FROM Z
  - 2. APPLICABLE P.C.BOARD THICKNESS: 1.6mm
  - 3. THE MATING PLUG HOUSING PART NUMBER: 174046, 174047
  - 4. RECOMMENDED MOUNTING SCREW: 3mm DIA, 7mm LENGTH (MIN.)  
PAN HEAD, CLASS 2 TAPPING SCREW SPECIFIED IN JIS B1115,  
B1122 (TIGHTENING TORQUE: 0.4N-m MAX.)
  - 5. PRODUCT SPECIFICATION: 108-5244  
INSTRUCTION SHEET: 411-5883
  - ⑥ CIRCUIT NUMBER: SEE FIG.1



⑥ FIG.1



TOLERANCE UNLESS OTHERWISE SPECIFIED:  
 一般公差

0 < x ≤ 10	±0.2
10 < x ≤ 30	±0.25
30 < x ≤ 100	±0.3
角度	±3°

SELECTIVE-TIN (MATTE)	SELECTIVE GOLD	1~36	BLACK	1-5174146-2
OBSOLETE	SELECTIVE-TIN	PRE-TIN	BLACK	2-174146-2
	TIN-LEAD	SELECTIVE GOLD	BLACK	1-174146-2
	PRE-TIN	-	GREEN	174146-4
	PRE-TIN × 35	-	BLACK	174146-3
	TIN-LEAD	SELECTIVE GOLD × 1	21	174146-3
	PRE-TIN	-	BLACK	174146-2
	PRE-TIN	-	WHITE	174146-1
CONTACT FINISH 半田付け部	CONTACT SIDE 接触部側	GOLD PLATED CIRCUIT NO 金めっき回路番号	COLOR 色	PART NUMBER 製品型番
CONTACT FINISH コンタクト仕上		⑥		

THIS DRAWING IS A CONTROLLED DOCUMENT.

DWN	T.SHINOHARA	06JAN09
CHK	K.BETSUI	06JAN09
APVD	K.BETSUI	06JAN09

TE Connectivity

040 SERIES MULTI-LOCK I/O CONNECTOR  
 36POSITION CAP HOUSING ASSEMBLY

SIZE	A2	CAGE CODE	00779	DRAWING NO	C=174146	RESTRICTED TO	-
WEIGHT	17.5 g	SCALE	2:1	SHEET	1 of 1	REV	G2

CUSTOMER DRAWING