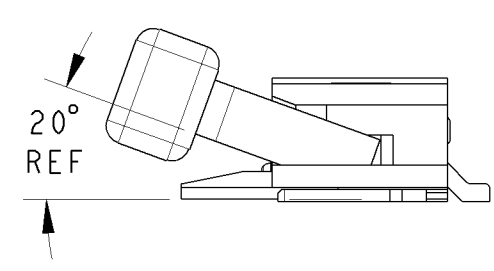
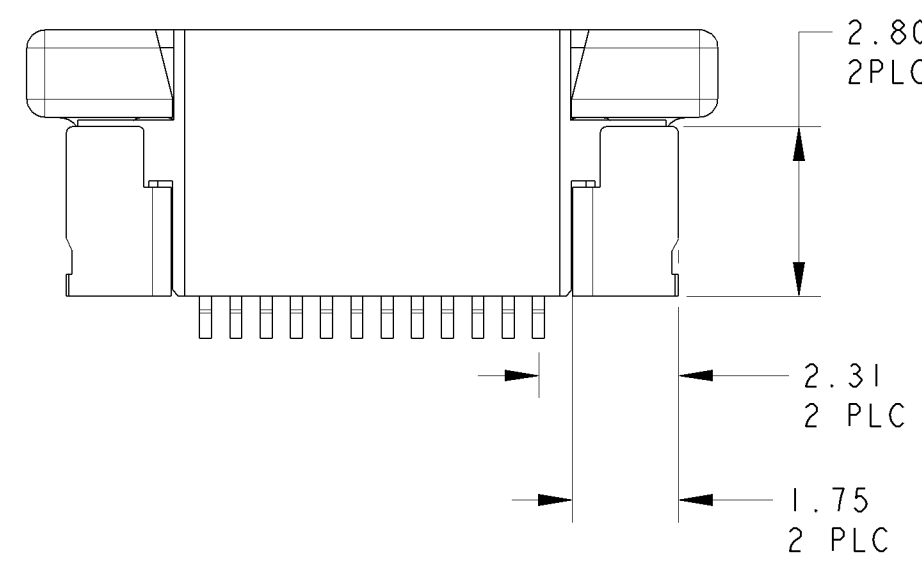
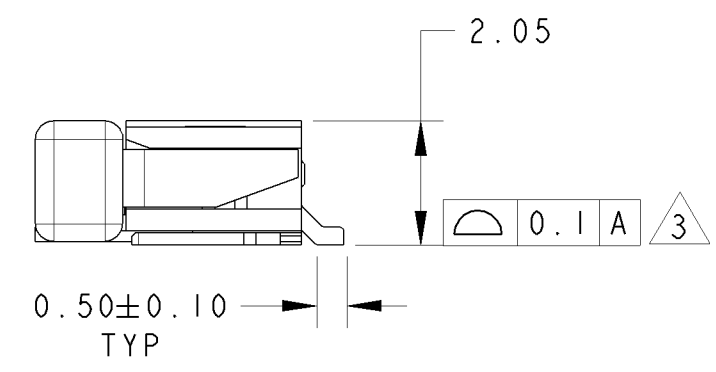
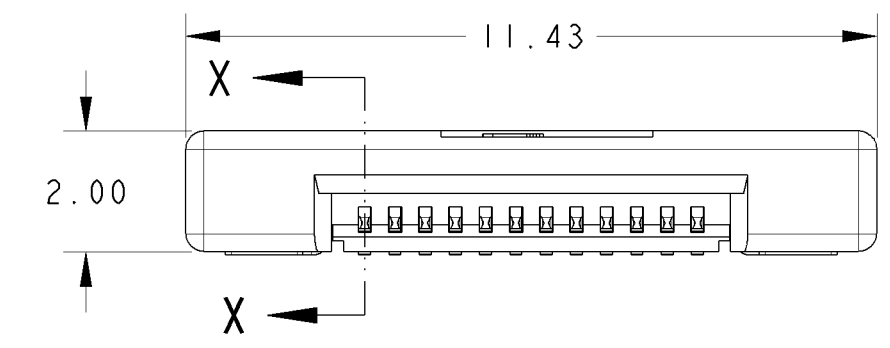
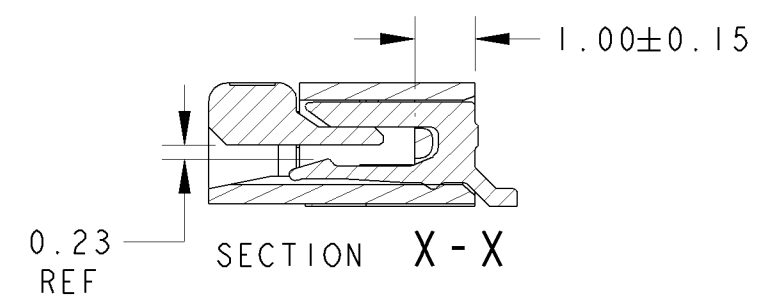
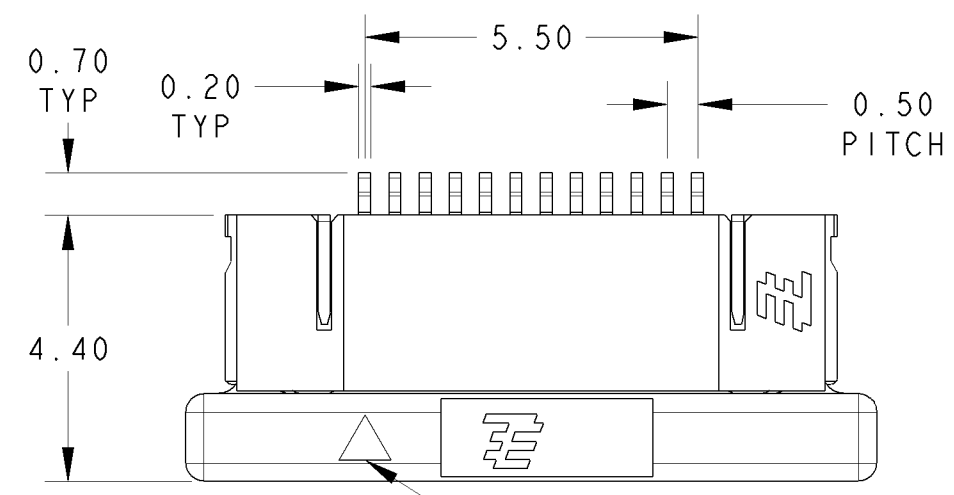


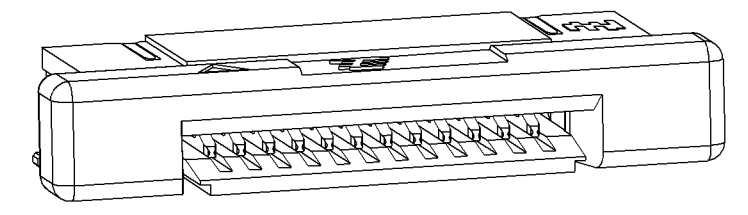
THIS DRAWING IS UNPUBLISHED. RELEASED FOR PUBLICATION 20  
 © COPYRIGHT 20 BY TYCO ELECTRONICS CORPORATION. ALL RIGHTS RESERVED.

LOC	DIST	REVISIONS			
P	LTR	DESCRIPTION	DATE	DWN	APVD
DY	-	B1 REVISED ECR-11-005308	14MAR11	LYM	LSF



NOTES:

- 1 MATERIAL:
  - HOUSING : HIGH TEMP. THERMOPLSATIC, UL94 V-0
  - COLOUR : NATURAL
  - ACTUATOR : HIGH TEMP. THERMOPLSATIC, UL94 V-0
  - COLOUR : BLACK
  - CONTACT : COPPER ALLOY
  - SODLER PEG : COPPER ALLOY
- 2 FINISH:
  - CONTACT : 1.27um MIN. NICKEL PLATING
  - UNDERPLATE : 0.05um MIN SELECTIVE GOLD FLASH OVER
  - OVERPLATE : CONTACT ON MATING AND SOLDER TAIL AREA.
- 3 SOLDER TAILS AND SOLDER PEG COPLANARITY : 0.1mm MAX
- 4. PACKAGING SPECIFICATION: TAPE AND REEL  
 PRIMARY PACK QTY: 1800PCS/REEL



ISOMETRIC VIEW

1-1735842-2 AS SHOWN

<small>THIS DRAWING IS A CONTROLLED DOCUMENT FOR TYCO ELECTRONICS CORPORATION          IT IS SUBJECT TO CHANGE AND THE CONTROLLING ENGINEERING ORGANIZATION          SHOULD BE CONTACTED FOR THE LATEST REVISION.</small>		DWN 10MAR2010 VINCENT TAN CHK 10MAR2010 VINCENT TAN APVD 03MAY2010 SELEONG		Tyco Electronics Corporation Singapore	
DIMENSIONS: mm		TOLERANCES UNLESS OTHERWISE SPECIFIED:		NAME ASSEMBLY, 0.5mm PITCH FPC BOTTOM CONTACT, SMT TYPE	
		0 PLC ±- 1 PLC ±0.1 2 PLC ±0.1 3 PLC ±0.1 4 PLC ±- ANGLES ±1°		PRODUCT SPEC 108-51107	
MATERIAL		FINISH -		APPLICATION SPEC -	
CUSTOMER DRAWING		WEIGHT -		SIZE A3 CAGE CODE 00779 DRAWING NO C-1735842 RESTRICTED TO -	
		SCALE 8:1		SHEET 1 OF 3 REV B1	

THIS DRAWING IS UNPUBLISHED.

RELEASED FOR PUBLICATION

20

© COPYRIGHT 20

BY TYCO ELECTRONICS CORPORATION. ALL RIGHTS RESERVED.

LOC

DIST

REVISIONS

DY

-

P

LTR

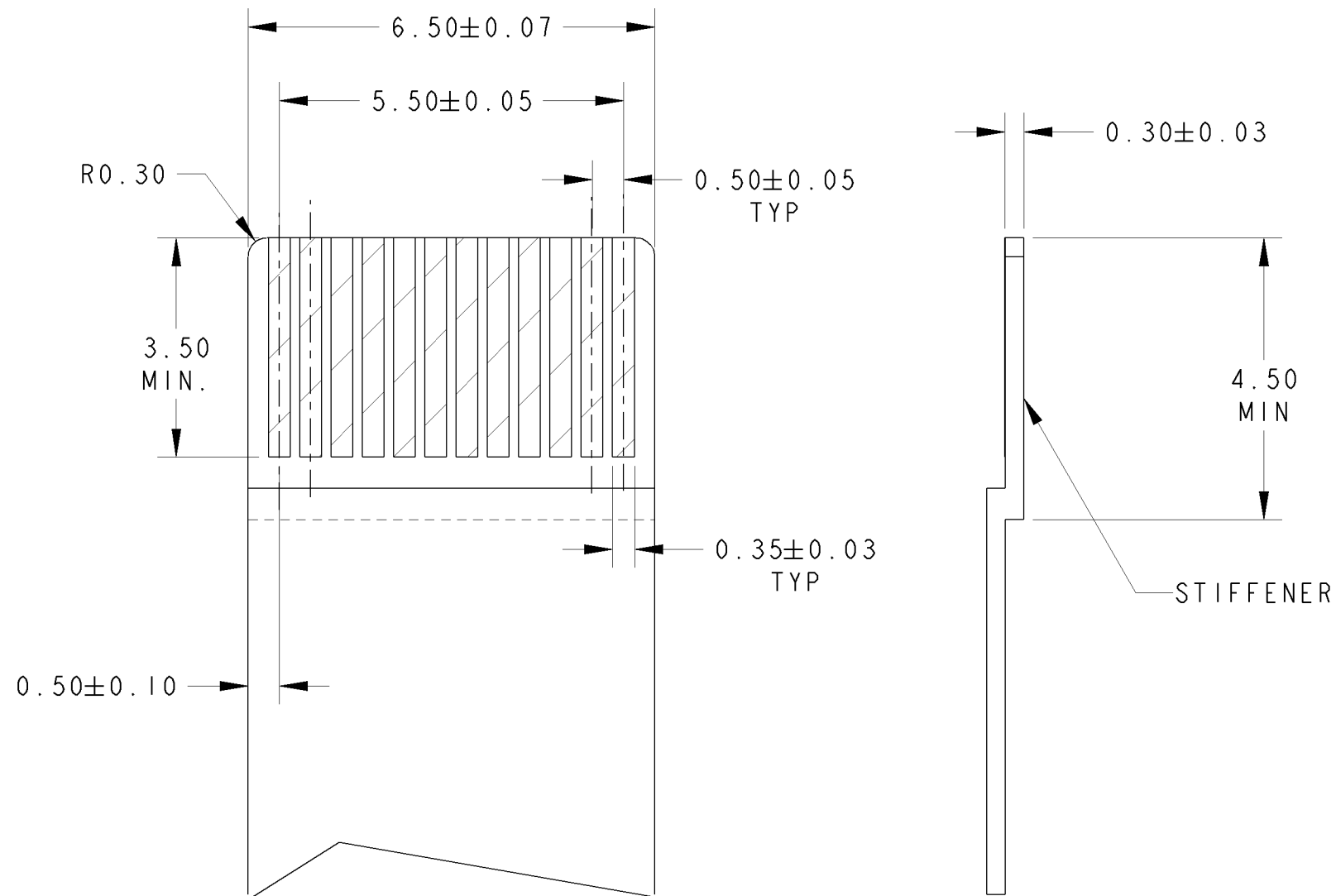
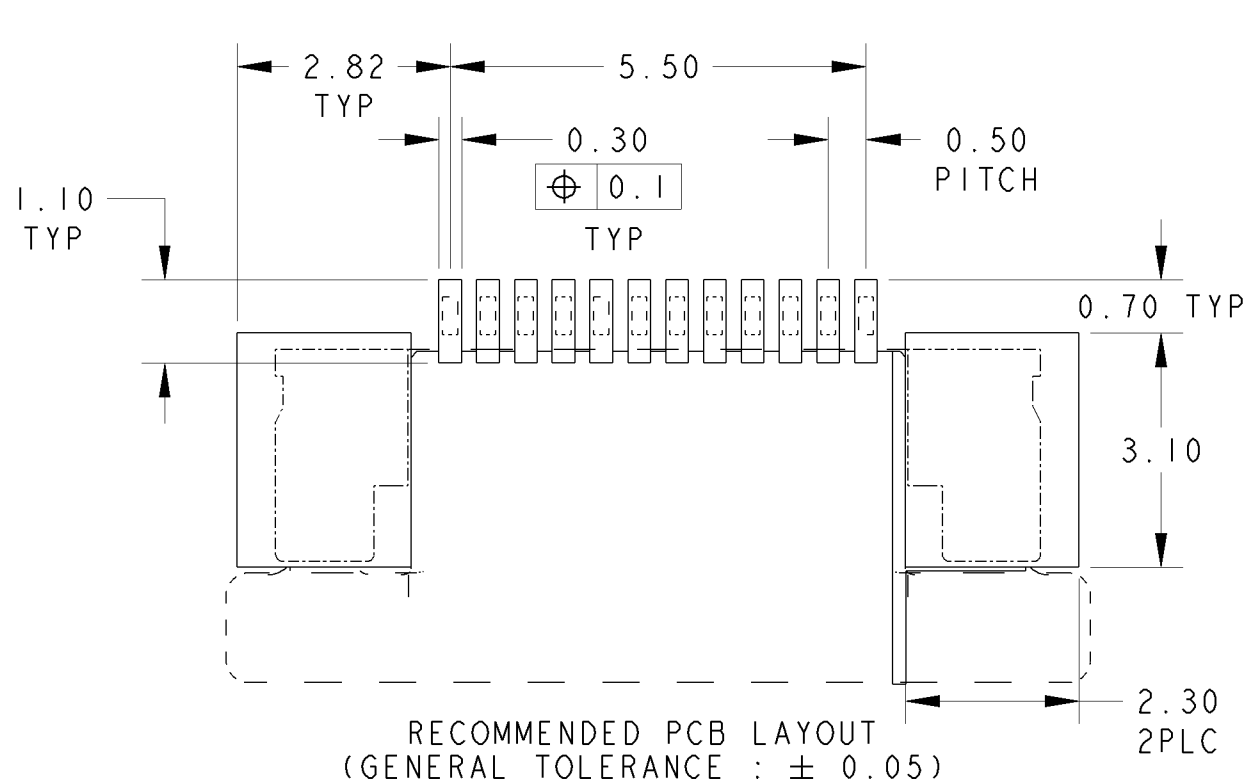
DESCRIPTION

DATE

DWN

APVD

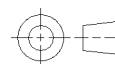
SEE SHEET 1



RECOMMENDED FPC DIMENSIONS

THIS DRAWING IS A CONTROLLED DOCUMENT FOR TYCO ELECTRONICS CORPORATION. IT IS SUBJECT TO CHANGE AND THE CONTROLLING ENGINEERING ORGANIZATION SHOULD BE CONTACTED FOR THE LATEST REVISION.

DIMENSIONS:  
mm



TOLERANCES UNLESS OTHERWISE SPECIFIED:

- 0 PLC ±
- 1 PLC ±0.1
- 2 PLC ±0.1
- 3 PLC ±0.1
- 4 PLC ±
- ANGLES ±1°
- FINISH -

MATERIAL

DWN 10MAR2010  
VINCENT TAN

CHK 10MAR2010  
VINCENT TAN

APVD 03MAY2010  
SELEONG

PRODUCT SPEC

APPLICATION SPEC

WEIGHT

CUSTOMER DRAWING



Tyco Electronics Corporation  
Singapore

NAME  
ASSEMBLY, 0.5mm PITCH FPC  
BOTTOM CONTACT, SMT TYPE

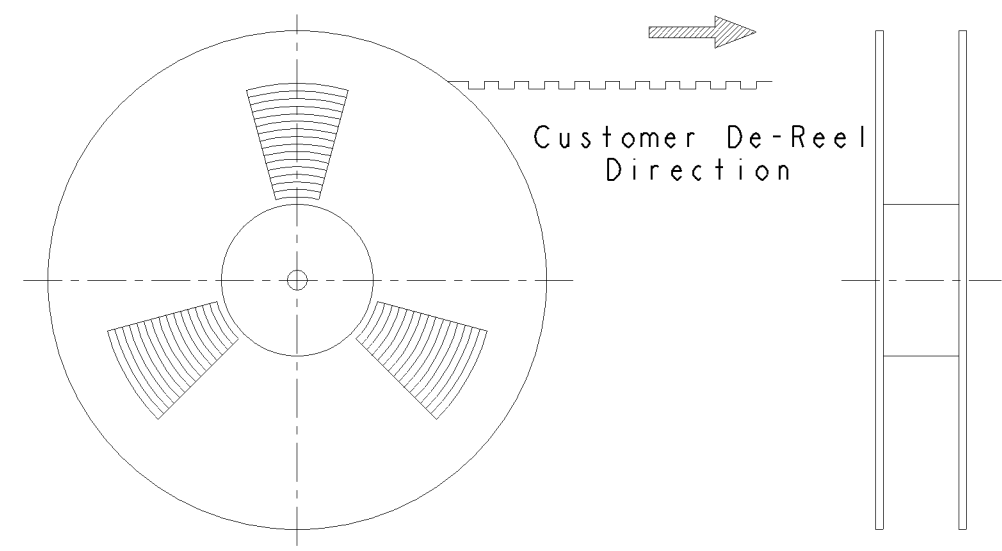
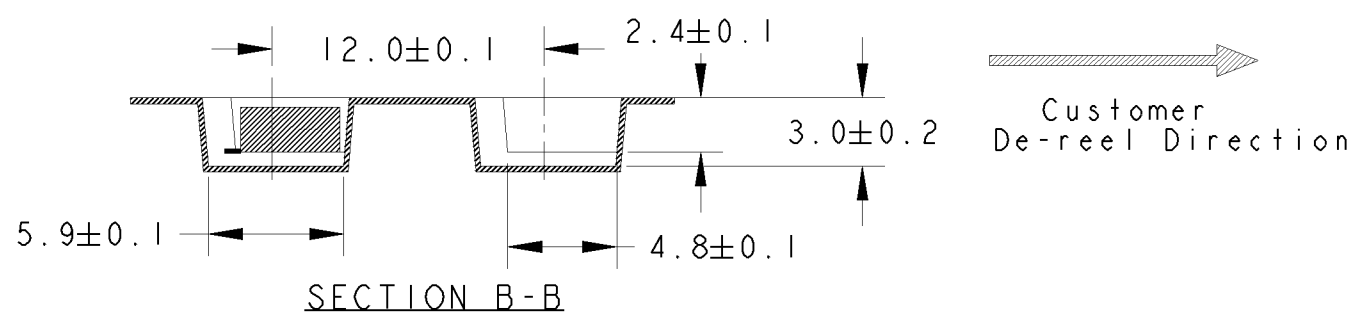
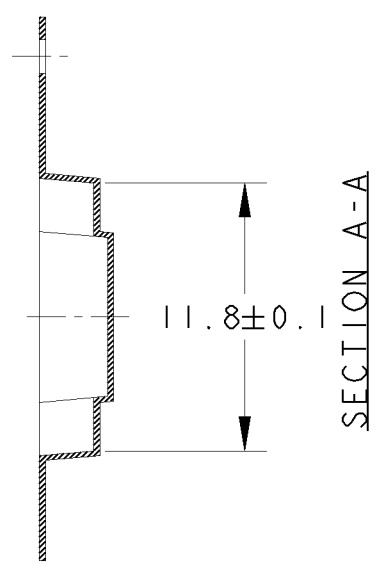
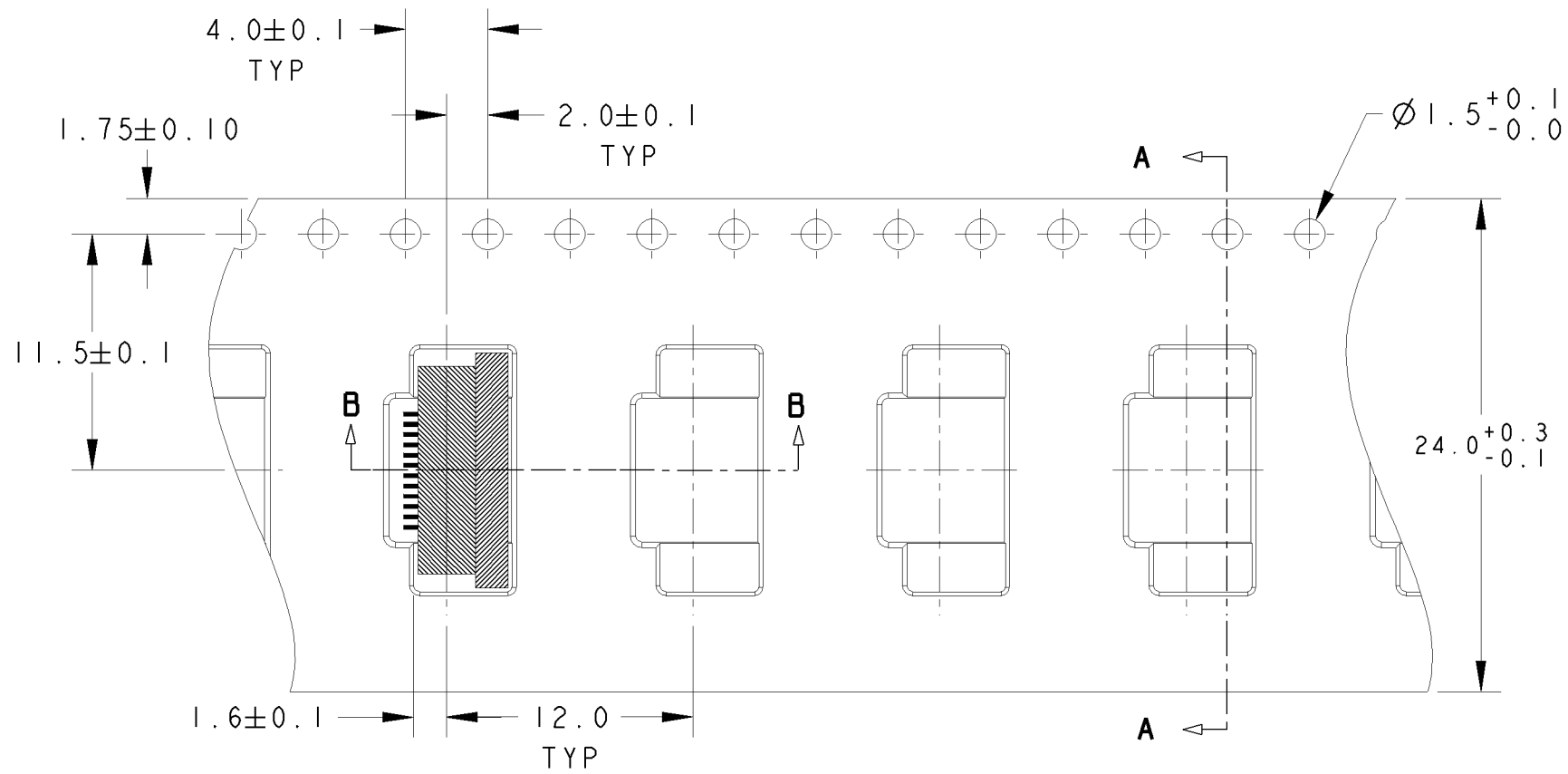
SIZE CAGE CODE DRAWING NO RESTRICTED TO

A3 00779 C-1735842

SCALE 8:1 SHEET 2 OF 3 REV B1

THIS DRAWING IS UNPUBLISHED. RELEASED FOR PUBLICATION 20  
 © COPYRIGHT 20 BY TYCO ELECTRONICS CORPORATION. ALL RIGHTS RESERVED.

LOC	DIST	REVISIONS			
P	LTR	DESCRIPTION	DATE	DWN	APVD
DY	-	SEE SHEET 1	-	-	-



THIS DRAWING IS A CONTROLLED DOCUMENT FOR TYCO ELECTRONICS CORPORATION. IT IS SUBJECT TO CHANGE AND THE CONTROLLING ENGINEERING ORGANIZATION SHOULD BE CONTACTED FOR THE LATEST REVISION.

DIMENSIONS:	TOLERANCES UNLESS OTHERWISE SPECIFIED:
mm	0 PLC ± -
	1 PLC ± 0.1
	2 PLC ± 0.1
	3 PLC ± 0.1
	4 PLC ± -
	ANGLES ± 1°
MATERIAL	FINISH -

DWN	VINCENT TAN	10MAR2010	Tyco Electronics Corporation	
CHK	VINCENT TAN	10MAR2010	Singapore	
APVD	SFLEONG	03MAY2010	NAME	
PRODUCT SPEC	ASSEMBLY, 0.5mm PITCH FPC			
APPLICATION SPEC	BOTTOM CONTACT, SMT TYPE			
WEIGHT	SIZE	CAGE CODE	DRAWING NO	RESTRICTED TO
-	A3	00779	C-1735842	-
CUSTOMER DRAWING			SCALE	SHEET
			8:1	3 OF 3
			REV	B1