

- NOTES:
1. MATERIALS: HOUSING - LIQUID CRYSTAL POLYMER (LCP)
GLASS-FILLED, UL94V-0
TERMINALS - HIGH PERFORMANCE COPPER ALLOY
 2. FINISH: 10 MNCH MIN GOLD IN CONTACT AREA.
SELECTIVE MATTE TIN ON PCB TAILS, NICKEL OVERALL.
 3. REFER TO MOLEX PRODUCT SPECIFICATION PS-76060-999
FOR PERFORMANCE SPECIFICATIONS AND ADDITIONAL PCB INFORMATION.
 4. THIS PART CONFORMS TO CLASS B REQUIREMENTS OF
MOLEX COSMETIC SPEC PS-45499-002.
 5. PARTS PACKAGED PER PK-70873-760
 6. SEE SHEETS 2 & 3 FOR PART NUMBERS AND BOARD RELATIONSHIPS.
 7. FOR GROUNDED GUIDE PINS USE DIA, 3.56 +/-0.08 (PTH)
DIA, 3.66 (DRILL) AND DIA 6.5 (PAD).
 8. MATES WITH IMPACT DC SERIES NO. 76150.
 9. KEEP OUT ZONE FOR BP HOUSING LENGTH INCLUDES AN ADDITIONAL 10MM
TO ACCOMMODATE FOR SPACE REQUIRED BY DC FRONT HOUSING.
 10. REFER TO MOLEX PCB ROUTING GUIDE AS-76060-990 FOR ANTIPAD AND ROUTING RECOMMENDATIONS.
 11. CONNECTORS SUPPLIED WITH A 2-56 UNC-2A SCREW.
 12. *THESE DIMENSIONS REPRESENT THE AREA NEEDED TO ACCOMMODATE CONNECTOR INSERTION AND
REPAIR ON THE PC BOARD. THIS IS REFERRED TO AS THE "CONNECTOR KEEP OUT ZONE" AND
DOES NOT REPRESENT THE ACTUAL PERIMETER OF THE CONNECTOR. WHEN LAYING OUT A PC BOARD
FOR CONNECTORS STACKED TOGETHER, USE A 1.9mm PROGRESSION.*

RELEASED EIC NO: UCP2012-1587 DRAWN BY: BINGHAM 2011/11/23 CHKD: LAURX 2011/11/23 APPR: LAURX 2011/12/02 REV A	QUALITY SYMBOLS ▽=0 ▽=0	GENERAL TOLERANCES (UNLESS SPECIFIED) mm INCH 4 PLACES ±--- ±--- 3 PLACES ±--- ±--- 2 PLACES ±0.13 ±--- 1 PLACE ±0.25 ±--- ANGULAR ±1/2°	DIMENSION STYLE MM ONLY	SCALE 4:1	DESIGN UNITS METRIC	THIRD ANGLE PROJECTION	
	DRAWN BY: JB INGHAM 2011/11/23 CHECKED BY: JLAURX 2011/11/23 APPROVED BY: JLAURX 2011/12/02	DATE: 2011/11/23 DATE: 2011/11/23 DATE: 2011/12/02	MATERIAL NO. SEE CHART	DOCUMENT NO. SD-171298-0002	SHEET NO. 1 OF 3	TITLE IMPACT 6 PAIR BACKPLANE LEFT GUIDED ASSEMBLY SALES DRAWING	
	MOLEX INCORPORATED						
	THIS DRAWING CONTAINS INFORMATION THAT IS PROPRIETARY TO MOLEX INCORPORATED AND SHOULD NOT BE USED WITHOUT WRITTEN PERMISSION						

PART NUMBER LOGIC

171298-****

MODULE TYPE
 3 = GUIDE LEFT, MATTE TIN
 7 = GUIDE LEFT END WALL, MATTE TIN

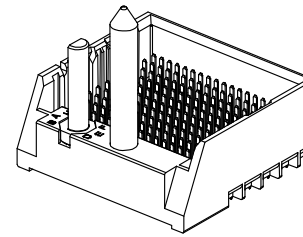
OF COLUMNS
 1 = 10 COL
 6 = 16 COL
 7 = 14 COL

PIN LENGTH (P)
 3 = 4.50 (SHORT COMPLIANT, 0.46±0.05 PTH)
 4 = 4.90 (SHORT COMPLIANT, 0.46±0.05 PTH)
 5 = 5.50 (SHORT COMPLIANT, 0.46±0.05 PTH)
 6 = 4.50 (MICRO COMPLIANT, 0.39±0.05 PTH)
 7 = 4.90 (MICRO COMPLIANT, 0.39±0.05 PTH)
 8 = 5.50 (MICRO COMPLIANT, 0.39±0.05 PTH)

KEY ORIENTATION
 0 = NO KEY
 1 = A
 2 = B
 3 = C
 4 = D
 5 = E
 6 = F
 7 = G
 8 = H

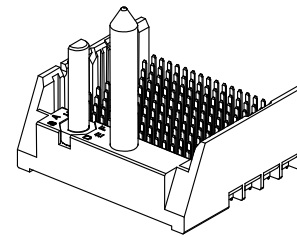
PART NUMBER CHART

MATERIAL NUMBER	# OF COLUMNS	# OF DIFF PAIR	DIM "A"	DIM "B"	GUIDE LEFT END WALL OPTION
171298-71**	10	60	26.9	17.10	
171298-77**	14	84	34.5	24.70	
171298-76**	16	96	38.3	28.50	



GUIDE LEFT
END WALL OPTION

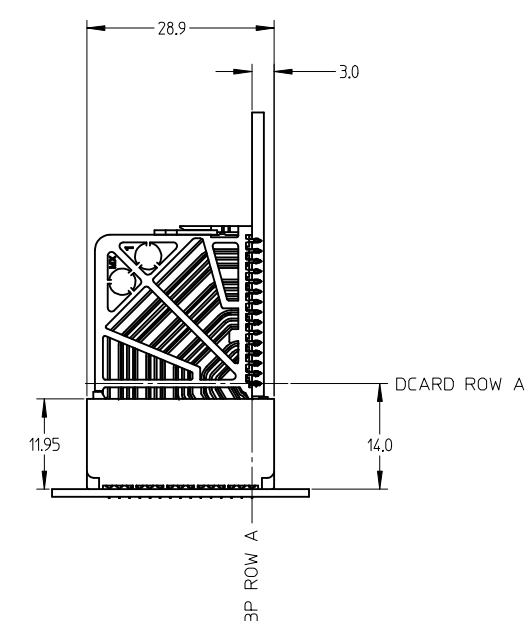
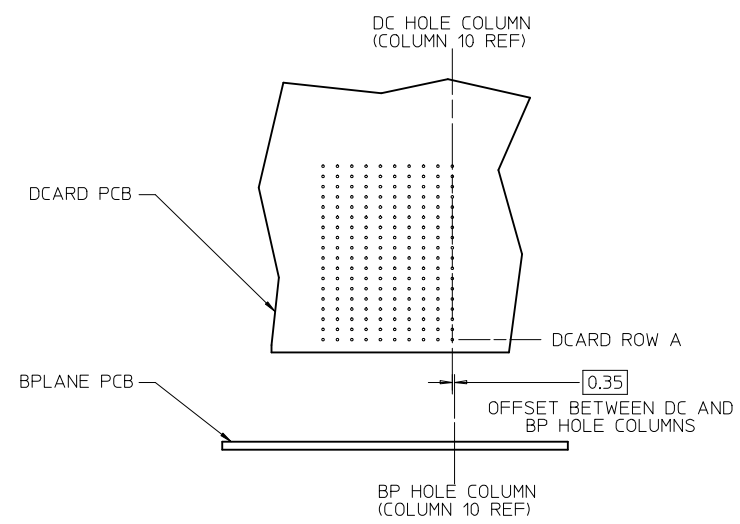
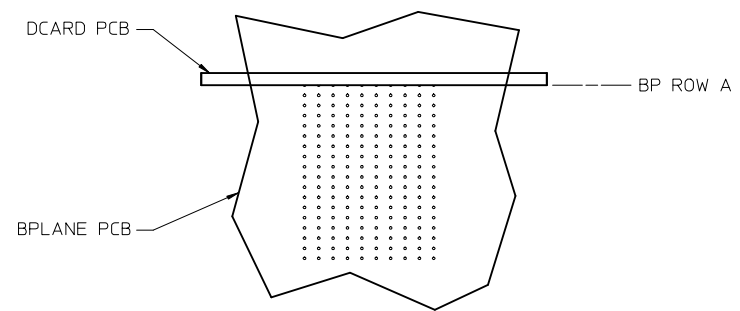
MATERIAL NUMBER	# OF COLUMNS	# OF DIFF PAIR	DIM "A"	DIM "B"	GUIDE LEFT OPEN WALL OPTION
171298-31**	10	60	25.5	17.10	
171298-37**	14	84	33.1	24.70	
171298-36**	16	96	36.9	28.50	



GUIDE LEFT
OPEN WALL OPTION

SEE SHEET 1 EC NO: UCP2012-1587 DRWN: BINGHAM 2011/11/23 CHKD: JLAURX 2011/11/23 APPR: JLAURX 2011/12/02	QUALITY SYMBOLS	GENERAL TOLERANCES (UNLESS SPECIFIED)	DIMENSION STYLE		SCALE	DESIGN UNITS	THIRD ANGLE PROJECTION	
	▽=0		mm	INCH	2:1	METRIC	☉	
	▽=0		4 PLACES ± --- ± ---	MM ONLY	DRAWN BY	DATE	TITLE	
	▽=0		3 PLACES ± --- ± ---	JB INGHAM	2011/11/23	IMPACT 6 PAIR BACKPLANE LEFT GUIDED ASSEMBLY SALES DRAWING		
REV	DESCRIPTION	2 PLACES ± 0.13 ± ---	CHECKED BY	DATE	MOLEX INCORPORATED			
A		1 PLACE ± 0.25 ± ---	JLAURX	2011/11/23	MATERIAL NO. SD-171298-0002			
		ANGULAR ± 1/2°	APPROVED BY	DATE	DOCUMENT NO.			
			JLAURX	2011/12/02	SHEET NO. 2 OF 3			
			DRAFT WHERE APPLICABLE MUST REMAIN WITHIN DIMENSIONS		THIS DRAWING CONTAINS INFORMATION THAT IS PROPRIETARY TO MOLEX INCORPORATED AND SHOULD NOT BE USED WITHOUT WRITTEN PERMISSION			

IMPACT 6 PAIR BOARD RELATIONSHIPS



SEE SHEET 1 EC NO: UCP2012-1587 DRWN: JBINGHAM 2011/11/23 CHKD: JLAURX 2011/11/23 APPR: JLAURX 2011/12/02	QUALITY SYMBOLS
	$\nabla=0$ $\nabla=0$
	DESCRIPTION
	REV

GENERAL TOLERANCES (UNLESS SPECIFIED)	
	mm INCH
4 PLACES	\pm ---
3 PLACES	\pm ---
2 PLACES	\pm 0.13
1 PLACE	\pm 0.25
ANGULAR \pm 1/2°	
DRAFT WHERE APPLICABLE MUST REMAIN WITHIN DIMENSIONS	

DIMENSION STYLE MM ONLY	
DRAWN BY	DATE
JBINGHAM	2011/11/23
CHECKED BY	DATE
JLAURX	2011/11/23
APPROVED BY	DATE
JLAURX	2011/12/02
MATERIAL NO.	
SEE CHART	
SIZE	
C	

SCALE 2:1	DESIGN UNITS METRIC	THIRD ANGLE PROJECTION
TITLE IMPACT 6 PAIR BACKPLANE LEFT GUIDED ASSEMBLY SALES DRAWING		
MOLEX INCORPORATED		SHEET NO. 3 OF 3
DOCUMENT NO. SD-171298-0002		
THIS DRAWING CONTAINS INFORMATION THAT IS PROPRIETARY TO MOLEX INCORPORATED AND SHOULD NOT BE USED WITHOUT WRITTEN PERMISSION		