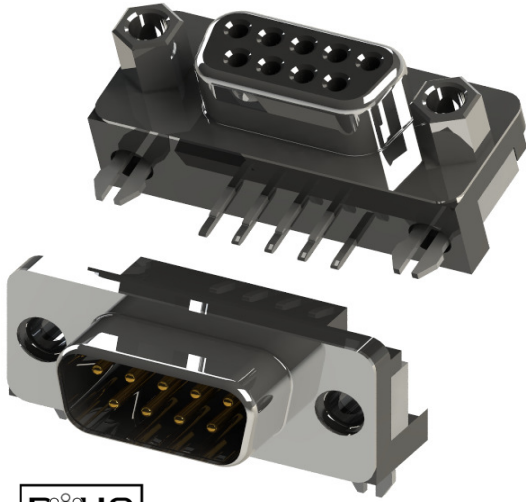




# SERIES 623/624: D-SUB CONNECTOR

Plug and Receptacle, Right Angle, .200"(5.08mm) Footprint



- Two Contact Rows with .200"(5.08mm) Footprint Right Angle Bend
- .109"(2.77mm) Contact Spacing X .112"(2.82mm) Row Spacing
- Plug and Receptacle in 9, 15, or 25 Contact Sizes
- Pin and Socket Contact Mating Design with P.C. Tail Termination
- Metal Shell Provides EMI/RFI Shielding, Plug Shell Indents provide Grounding and Additional Mating Retention
- Grounding Features include Two Prong Boardlock for Exceptional Retention to P.C. Board
- Mounting Options for Panel Mount or Connector Mating include Through Hole, Threaded Inserts and Threaded Standoffs
- D-Shaped Connector Mating Outline provides Polarization
- Design based on Requirements of MIL-C-24038, EIA RS-232 and RS-449

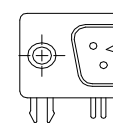


## Specifications:

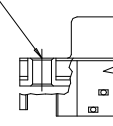
Insulator Material	Thermoplastic Polyester, UL 94V-0, Chemical Resistant, Color: Black
Contact Material	Plug (Pins): Brass Receptacle (Socket): Brass or Phosphor Bronze
Contact Plating	Selective Gold (See Ordering Code) over Nickel for the Mating Area, Tin Plating for Tail Area
Shell Material	Nickel Plated Steel
Current Rating	5A Per Contact
Contact Resistance	10 Milliohms MAX
Insulation Resistance	5000 Megohms MIN
Dielectric Voltage	1000V AC rms at Sea Level
Operating Temp.	-55°C To +105°C
Mating and Unmating Force	1oz To 10oz (0.28N To 2.78N) Per Contact Position

## MOUNTING OPTIONS

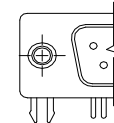
CODE 1  
THROUGH HOLE



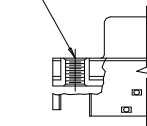
.125 (3.18) DIA. THROUGH HOLE



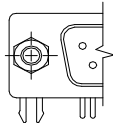
CODE 2  
THREADED INSERT



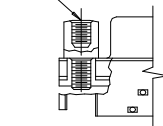
#4-40 UNC THREAD



CODE 3  
THREADED STANDOFF



#4-40 UNC x .160 (4.06) DEEP THREAD



## Ordering Code:

# 623-025-261-033

### SERIES:

623: PLUG (PIN)  
624: RECEPTACLE (SOCKET)

### NO. OF CONTACTS:

009 - 9 CONTACTS  
015 - 15 CONTACTS  
025 - 25 CONTACTS

### CONTACT FINISH CODE:

2 - GOLD FLASH PLATING  
3 - 15 MICROINCHES OF GOLD PLATING  
6 - 30 MICROINCHES OF GOLD PLATING

### CONTACT CODE:

61 - .200" FOOTPRINT CONTACT

### MOUNTING OPTIONS:

1 - Ø.125"(Ø3.18MM) THROUGH HOLE  
2 - 4-40 UNC THREADED INSERT  
3 - 4-40 UNC THREADED STANDOFF

### GROUNDING FEATURE:

3 - TWO PRONG BOARDLOCKS FOR Ø.120"(Ø3.05MM) HOLE

### MATERIAL CODE:

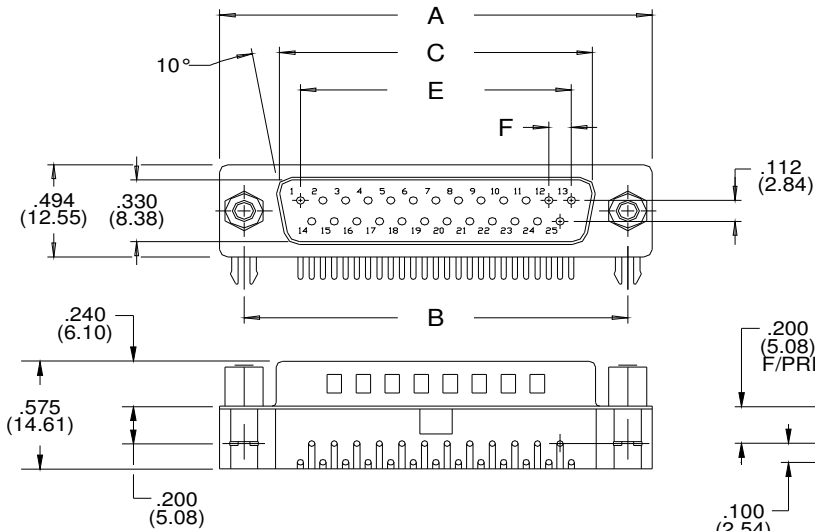
0 - BRASS (623); PHOSPHOR BRONZE (624)  
1 - BRASS (624 ONLY)  
5 - PHOSPHOR BRONZE, HIGH TEMP INSULATOR  
6 - BRASS, HIGH TEMP INSULATOR



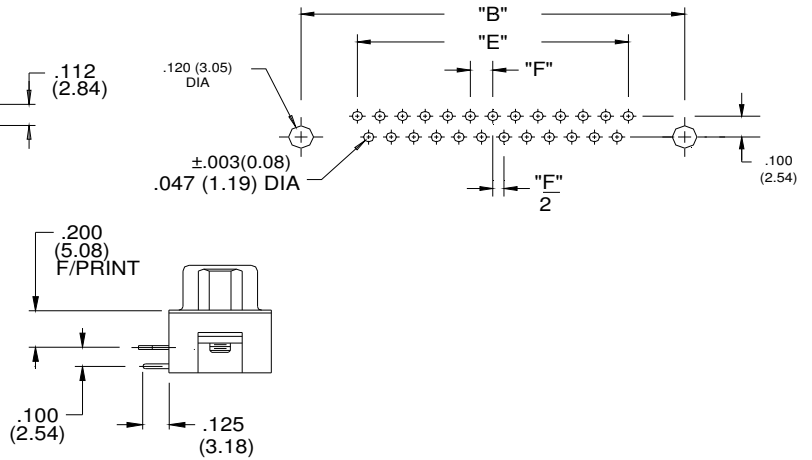
# SERIES 623/624: D-SUB CONNECTOR

Plug and Receptacle, Right Angle, .200" (5.08mm) Footprint

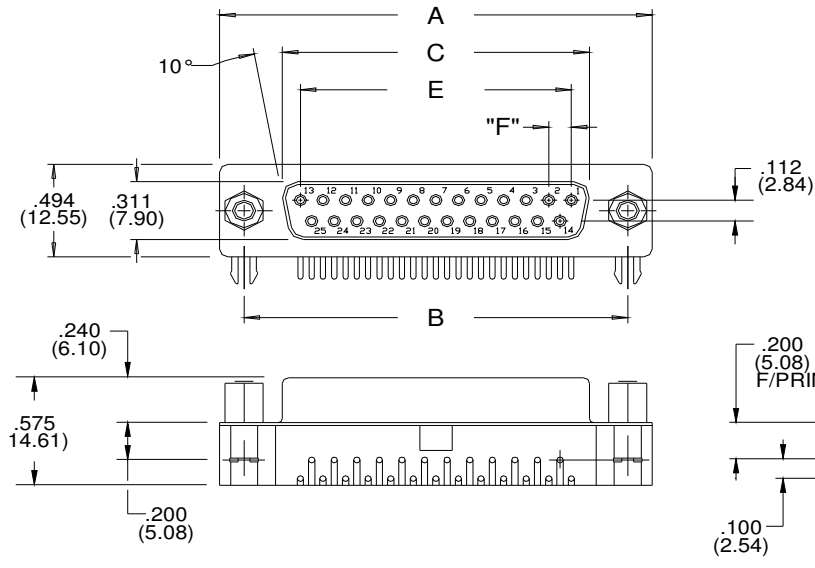
## PLUG 623 SERIES



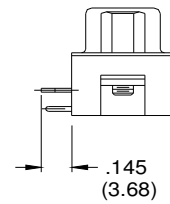
## RECOMMENDED BOARD HOLE PATTERN



## RECEPTACLE 624 SERIES



## CODE 3 TWO PRONG BOARD LOCK



NUMBER OF CONTACTS	A		B		C PLUG		C RECEPTACLE		E		F	
	Inch	(mm)	Inch	(mm)	Inch	(mm)	Inch	(mm)	Inch	(mm)	Inch	(mm)
9	1.214	(30.84)	.984	(24.99)	.667	(16.92)	.640	(16.26)	.432	(10.97)	.108	(2.74)
15	1.545	(39.24)	1.312	(33.32)	.994	(25.25)	.967	(24.56)	.756	(19.20)	.108	(2.74)
25	2.088	(53.04)	1.852	(47.04)	1.534	(38.96)	1.508	(38.30)	1.304	(33.12)	.109	(2.76)