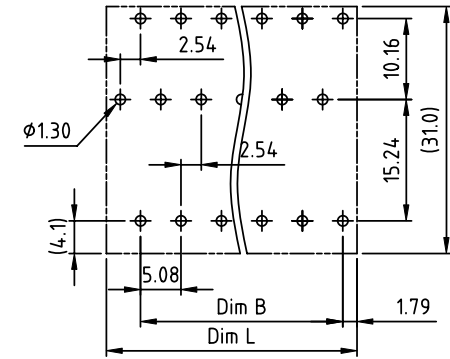
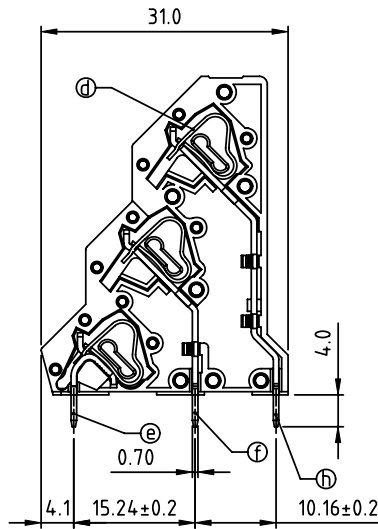
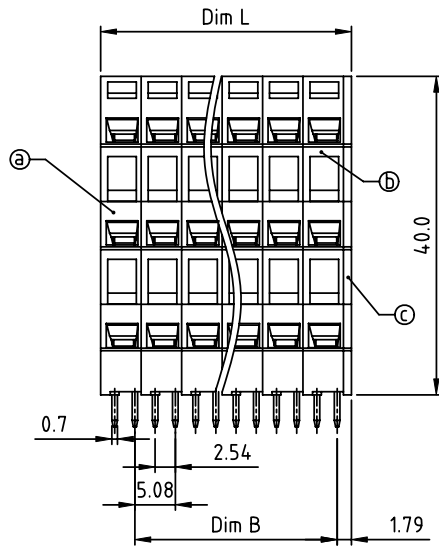


PRODUCT NUMBER	PITCH
HRxx30x100J0G	5.08mm



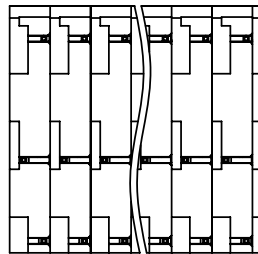
RECOMMENDED P.C.B LAYOUT  
TOP VIEW

Material:

- Item ① Terminal side housing: Thermoplastic (UL94V-0)
- Item ② Terminal housing: Thermoplastic (UL94V-0)
- Item ③ Terminal cover: Thermoplastic (UL94V-0)
- Item ④ Spring clamp: Stainless steel
- Item ⑤ Short pin: Brass, Tin plated
- Item ⑥ Middle pin: Brass, Tin plated
- Item ⑦ Long pin: Brass, Tin plated

Electrical:

- Voltage rating: 300V
- Current rating: 10A
- Wire range:
  - Solid wire(AWG): 12-28
  - Stranded wire(AWG): 12-28
  - Wire strip length: 5-6mm
- Withstanding Voltage: 1.6KV
- Operating temperature: -40°C to +115°C
- Soldering temperature: 260°C±5°C/5 Sec
- Safety Approval: cULus



N=Number of poles  
Dim L=N/3×5.08+1.0  
Dim B=(N/3-1)×5.08

Poles	Dim L	Dim B
3×1p	±0.10	
3×2p-3×6p	±0.10	±0.10
3×7p-3×12p	±0.15	±0.15
3×13p-3×18p	±0.20	±0.20
3×19p-3×24p	±0.30	±0.30

PART NO.: HR xx 30 x 100J0 G

- No. of poles: 0 Black (RAL9005)
  - End Stackable: 2 Red (RAL3001/D)
  - 03 3x1 poles: 3 Orange(RAL2011/P)
  - 06 3x2 poles: 4 Yellow(RAL1018/A)
  - ... ..: 5 Green(RAL6018/T)
  - 72 3x24 poles: 6 Blue (RAL5015/A)
  - 8 Grey(RAL7004/P)
  - 9 White(RAL1102)
  - C Multiple colors
- RoHS compliant (lead<4%)  
In copper Alloy

mat'l. code		surface ASME Y14.5	tolerance ASME Y14.5	projection	product family
ltr	ecn no	dr	date		TERMINAL BLOCK
tolerances unless otherwise specified				MM	title
angles				scale	TERMINAL BLOCK SPRING CLAMP, 45D WIRE INLET, 3-LEVEL, INTERLACE TYPE
X±1°				dr	dwg no
X.X±0.3				enr	sheet 1 of 1
X.XX±0.1				chr	size
dr				SHI JUN	A4
enr				EVIN ZHONG	FCI
chr				EVIN ZHONG	HRxx30x100J0G
appd				HANKE FENG	type
sheet index				SHI JUN	CUSTOMER Drawing
revision		A			
sheet		1			