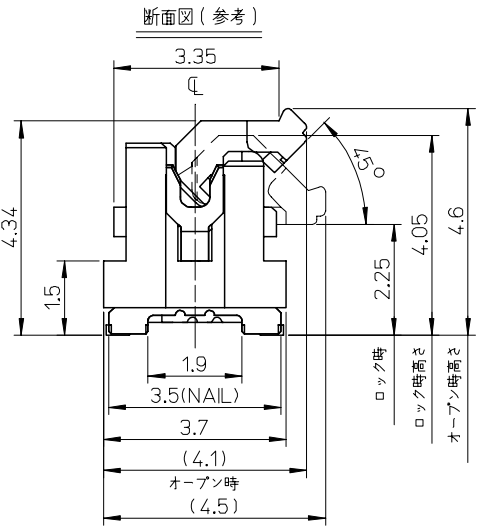
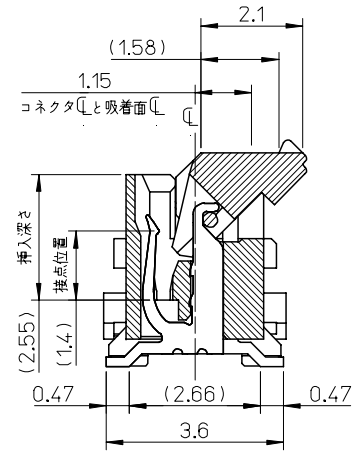
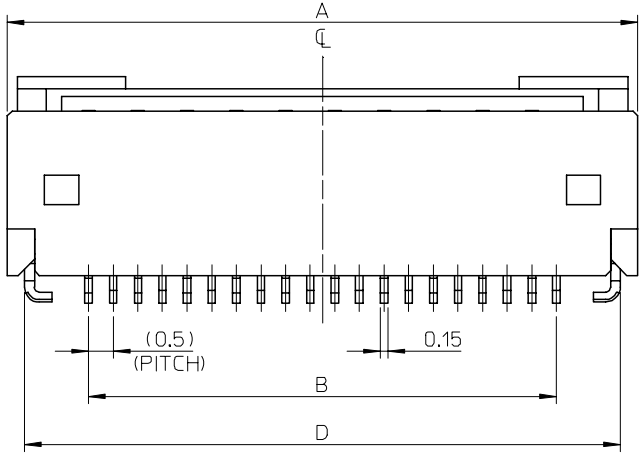
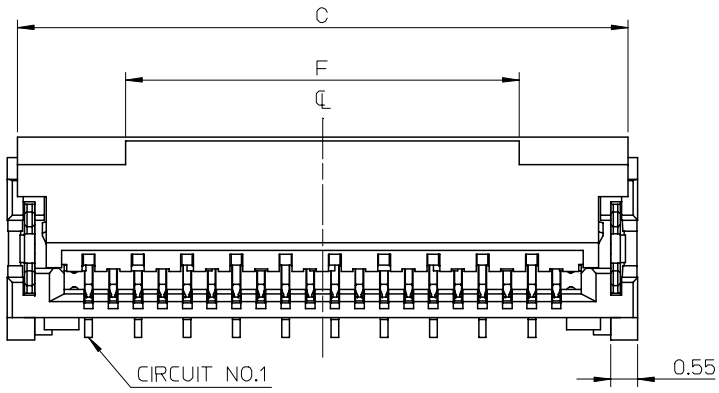


10 9 8 7 6 5 4 3 2 1



注記
NOTES

- 材質
MATERIAL
ハウジング: LCP (液晶ポリマー), ガラス充填, 白色, UL94V-0
HOUSING: LCP (LIQUID CRYSTAL POLYMER), GLASS FILLED, WHITE, UL94V-0
アクチュエータ: ポリアミド 9T, ガラス充填, 茶色, UL94V-0
ACTUATOR: POLYAMIDE 9T, GLASS FILLED, BROWN, UL94V-0
ターミナル: 銅合金 (t=0.15)
TERMINAL: COPPER ALLOY (t=0.15)
金具: 銅合金 (t=0.2)
NAIL: COPPER ALLOY (t=0.2)
- メッキ仕様
PLATING
ターミナル
TERMINAL
銅ビスマスメッキ
TIN BISMUTH PLATING
下地メッキ: ニッケルメッキ
UNDER PLATING: NICKEL PLATING
金具
NAIL
銅メッキ
TIN PLATING
下地メッキ: ニッケルメッキ
UNDER PLATING: NICKEL PLATING
- テールと金具を併せた平坦度は, 0.1ミリメートル以下。
TAILS AND NAILS COPLANARITY TO BE 0.1 MAXIMUM.
- ELV及びRoHS適合品
ELV AND ROHS COMPLIANT.

8	30.7	32.1	32.4	29.5	32.8	501951-6009	60
	25.7	27.1	27.4	24.5	27.8	501951-5009	50
	23.2	24.6	24.9	22	25.3	501951-4509	45
	20.7	22.1	22.4	19.5	22.8	501951-4009	40
	16.7	18.1	18.4	15.5	18.8	501951-3209	32
	15.7	17.1	17.4	14.5	17.8	501951-3009	30
	12.7	14.1	14.4	11.5	14.8	501951-2409	24
	F	E	D	C	B	A	MATERIAL NO.

REVISED EC NO: J2007-2987 DRWN: TRSUZUKI 2007/04/26 CHKD: HIRATA 2007/04/26 APPR: HIRATA 2007/04/26	GENERAL TOLERANCES (UNLESS SPECIFIED)		DIMENSION STYLE MM ONLY	SCALE 10:1	DESIGN UNITS METRIC	THIRD ANGLE PROJECTION	
	10 UNDER	±0.2	DRAWN BY TRSUZUKI	DATE 2005/12/05	TITLE 0.5 FPC CONN. HSG ASSY EASY ON / STRAIGHT (TIN-BISMUTH)		
	10 OVER 30 UNDER	±0.25	CHECKED BY HIRATA	DATE 2005/12/05			
	30 OVER	±0.3	APPROVED BY MSASAO	DATE 2005/12/05	MOLEX INCORPORATED		
	ANGULAR	±1 °	MATERIAL NO.	DOCUMENT NO.			
DRAFT WHERE APPLICABLE MUST REMAIN WITHIN DIMENSIONS		SIZE A3	SEE CHART		SD-501951-001	1 OF 2	

10 9 8 7 6 5 4 3 2 1

F

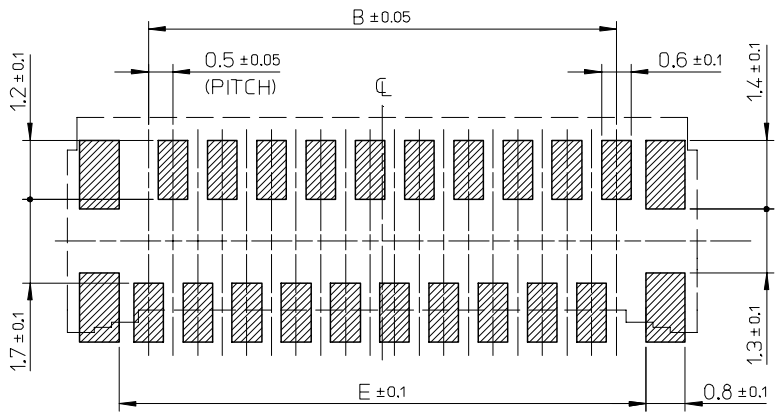
E

D

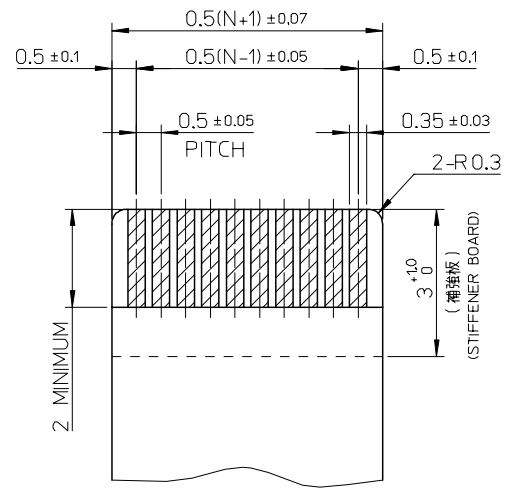
C

B

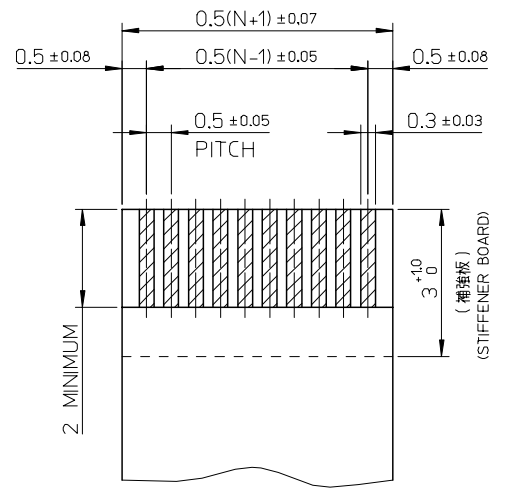
A



参考基板レイアウト (マウント面)
P.C. BOARD PATTERN DIMENSION (REF.)
(MOUNT AREA)



適合FPC推奨寸法
APPLICABLE FPC
RECOMMENDED DIMENSION
(仕上がり厚さ: 0.3 ± 0.03)
(THICKNESS: 0.3 ± 0.03)
N: 極数
N: CIRCUITS



適合FFC推奨寸法
APPLICABLE FFC
RECOMMENDED DIMENSION
(仕上がり厚さ: 0.3 ± 0.03)
(THICKNESS: 0.3 ± 0.03)
N: 極数
N: CIRCUITS

FPCについて:
打抜き方向は導体側から補強板側を推奨致します。
補強フィルム材質はポリイミドを推奨致します。
接着剤は熱硬化接着剤を推奨致します。

ABOUT FPC:
RECOMMENDED PUNCHER DIRECTION:
FROM CONDUCTOR SIDE TO STIFFENER BOARD SIDE.
RECOMMENDED MATERIAL:
STIFFENER FILM: POLYIMIDE
BONDING AGENT: THERMOSETTING BONDING AGENT

SEE SHEET 1 EC NO: J2007-2987 DRWN: TRSUZUKI 2007/04/26 CHKD: HIRATA 2007/04/26 APPR: HIRATA 2007/04/26	GENERAL TOLERANCES (UNLESS SPECIFIED)		DIMENSION STYLE MM ONLY		SCALE 10:1	DESIGN UNITS METRIC	THIRD ANGLE PROJECTION	
	10 UNDER	± 0.2	DRAWN BY TRSUZUKI	DATE 2005/12/05	TITLE 0.5 FPC CONN. HSG ASSY EASY ON / STRAIGHT (TIN-BISMUTH)			
	10 OVER 30 UNDER	± 0.25	CHECKED BY HIRATA	DATE 2005/12/05				
	30 OVER	± 0.3	APPROVED BY MSASAO	DATE 2005/12/05	MOLEX INCORPORATED			
ANGULAR	± 1 °	MATERIAL NO. SEE SHEET 1		DOCUMENT NO. SD-501951-001		SHEET NO. 2 OF 2		
DRAFT WHERE APPLICABLE MUST REMAIN WITHIN DIMENSIONS		THIS DRAWING CONTAINS INFORMATION THAT IS PROPRIETARY TO MOLEX INCORPORATED AND SHOULD NOT BE USED WITHOUT WRITTEN PERMISSION						

10 9 8 7 6 5 4 3 2 1

F

E

D

C

B

A

F

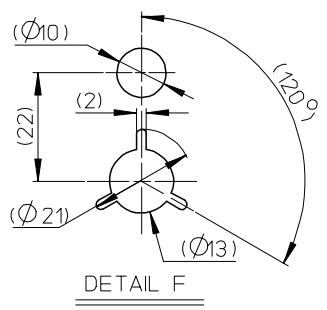
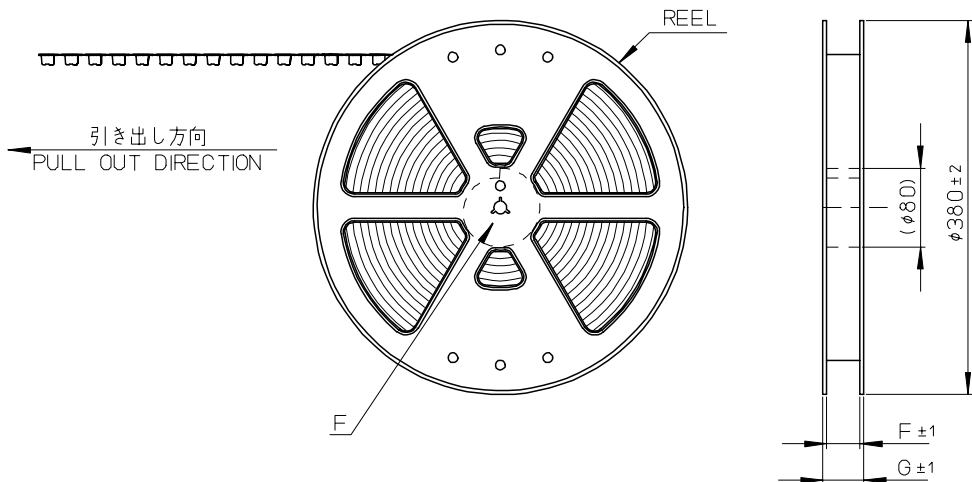
E

D

C

B

A



NOTES

- 製品詳細寸法については SD-501951-001 を参照ください。
RE DETAILED DIMENSION, SEE SD-501951-001
- 梱包数量：2000 個/リール
NUMBER OF CONNECTORS : 2000 PIECES/REEL
- リードテープ長さ
LEAD TAPE LENGTH
- 材料
MATERIAL
 キャリアテープ：ポリプロピレン (PP)
 CARRIER TAPE: POLYPROPYLENE (PP)
 トップテープ：PET, PE, REF
 TOP TAPE
 リール：ポリスチレン (リサイクル材を含む)
 REEL : POLYSTYRENE (RECYCLE MATERIAL CONTAINED)
- ELV 及び RoHS 適合品
ELV AND RoHS COMPLIANT.

REVISED EC NO: J2007-2987 DRWNG: TRSUZUKI 2007/04/26 CHKD: HIRATA 2007/04/26 APPR: HIRATA 2007/04/26	GENERAL TOLERANCES (UNLESS SPECIFIED)		DIMENSION STYLE MM ONLY	SCALE ---	DESIGN UNITS METRIC	THIRD ANGLE PROJECTION	
	10 UNDER	± 0.2	DRAWN BY TRSUZUKI	DATE 2005/12/05	TITLE 0.5 FPC CONN. HSG ASSY E/O STRAIGHT EMBSTP PKG (TIN-BISMUTH)		
	10 OVER 30 UNDER	± 0.25	CHECKED BY HIRATA	DATE 2005/12/05	MOLEX INCORPORATED		
	30 OVER	± 0.3	APPROVED BY MSASAO	DATE 2005/12/05	MATERIAL NO.	DOCUMENT NO. SD-501951-002	SHEET NO. 1 OF 2
	ANGULAR	± 1 °	SEE SHEET 2				
DRAFT WHERE APPLICABLE MUST REMAIN WITHIN DIMENSIONS		THIS DRAWING CONTAINS INFORMATION THAT IS PROPRIETARY TO MOLEX INCORPORATED AND SHOULD NOT BE USED WITHOUT WRITTEN PERMISSION					

10 9 8 7 6 5 4 3 2 1

F

E

D

C

B

A

F

E

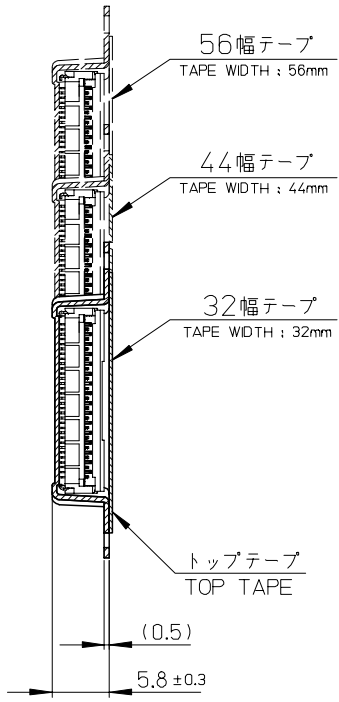
D

C

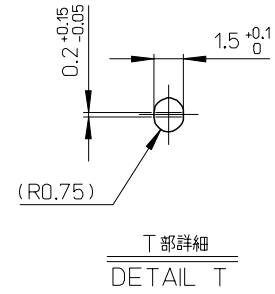
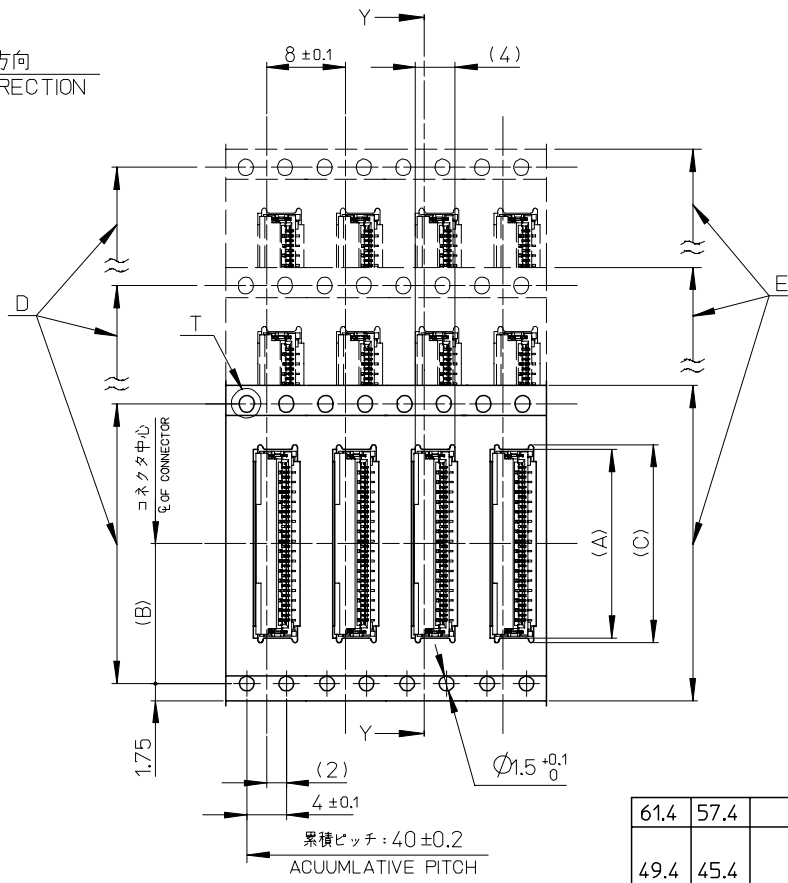
B

A

引き出し方向
PULL OUT DIRECTION



断面 Y-Y
SECTION Y-Y



61.4	57.4	56 ± 0.3	52.4	34.1	26.2	33.1	501951-6000	60
49.4	45.4	44 ± 0.3	40.4	29.1	20.2	28.1	501951-5000	50
				24.1		23.1	501951-4500	45
37.4	33.4	32 ± 0.3	28.4	20.1	14.2	19.1	501951-3200	32
				16.1		18.1	501951-3000	30
						15.1	501951-2400	24
G	F	E キャリアテープ幅 CARRIER TAPE WIDTH	D	(C)	(B)	(A)	製品番号 MATERIAL NO.	極数 CIRCUITS

REVISED EC NO: J2007-2987 DRWN: TRSUZUKI CHKD: HIRATA APPR: HIRATA	DESCRIPTION 2007/04/26 2007/04/26 2007/04/26	GENERAL TOLERANCES (UNLESS SPECIFIED)		DIMENSION STYLE MM ONLY		SCALE ---	DESIGN UNITS METRIC	THIRD ANGLE PROJECTION	
		10 UNDER	± 0.2	DRAWN BY TRSUZUKI	DATE 2005/12/05	TITLE 0.5 FPC CONN. HSG ASSY E/O STRAIGHT EMBSTP PKG (TIN-BISMUTH)			
		10 OVER 30 UNDER	± 0.25	CHECKED BY HIRATA	DATE 2005/12/05	MOLEX INCORPORATED			
		30 OVER	± 0.3	APPROVED BY MSASAO	DATE 2005/12/05	MATERIAL NO. SEE CHART			
		ANGULAR	± 1 °	DRAFT WHERE APPLICABLE MUST REMAIN WITHIN DIMENSIONS		DOCUMENT NO. SD-501951-002		SHEET NO. 2 OF 2	