



Copyright FCI.

A

B

C

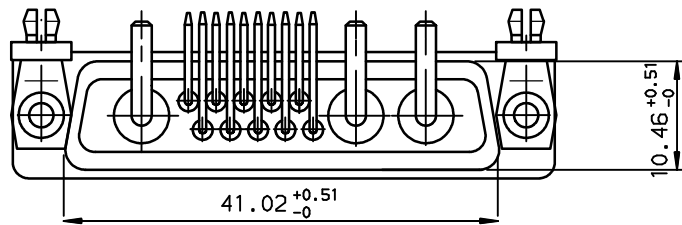
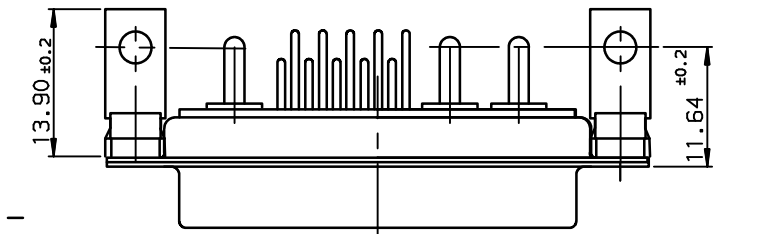
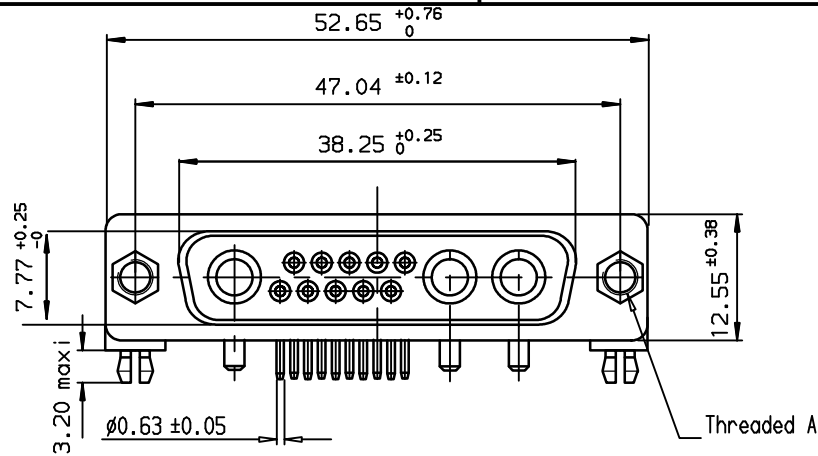
D

A

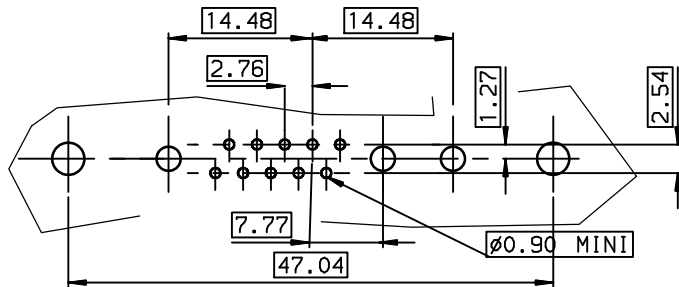
B

C

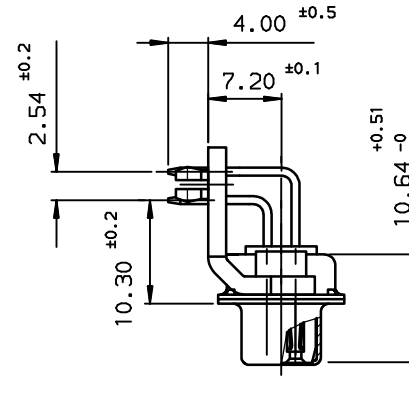
D



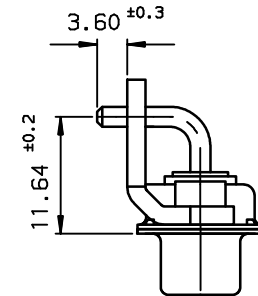
LAYOUT DIMENSIONS (after plating)
CONNECTOR SIDE VIEW



VIEW WITHOUT POWERS CONTACTS



VIEW WITH POWERS CONTACTS



TIN LEAD PART NUMBER

DB013W3S500G30	UNC 4.40
DBL13W3S500G30	M3
PART NUMBER	Threaded A

LEAD FREE PART NUMBER

DB013W3S500G30LF	UNC 4.40
DBL13W3S500G30LF	M3
PART NUMBER	Threaded A

GENERAL CHARACTERISTICS AND ROHS INFORMATIONS:
SEE DRAWING C01-8639-0000

European Views

www.fciconnect.com		surface ISO 1302 ✓	tolerance std ISO 406 ISO 1101	projection mm
TOLERANCES UNLESS OTHERWISE SPECIFIED				
Dr	JOUBERT	1998/04/07	ANGULAR	size A3
Eng	PESSON	1998/04/07	LINEAR	Scale 2
Chr	LEGARE	1998/04/07	0.xx' ±2'	ECN LS06-0095
Appr	LEGARE	1998/04/07	0.xxx ±0.1	Spec ref -
Product family		D-SUB		
title SOCKET CONNECTOR FOR POWERS CONTACTS		part no C01-8639-1578		Rev. E
catalog no		CUSTOMER sheet 1 of 1		

rev	ecn no	dr	date
C	-	BAR	2003/11/20
D	LS05-001	MPE	2005/03/08
E	LS06-0095	LGO	2006/07/20
-	-	-	-
-	-	-	-
-	-	-	-

REV F - 2006-04-17