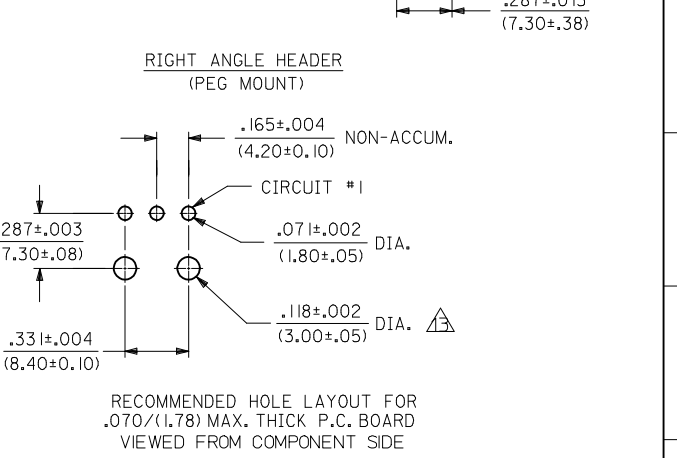
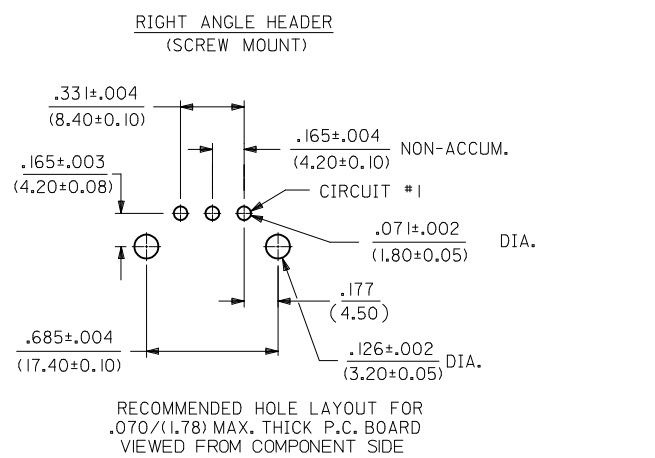
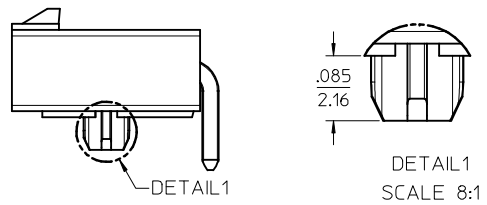
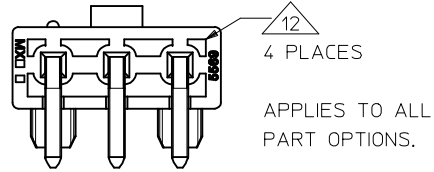
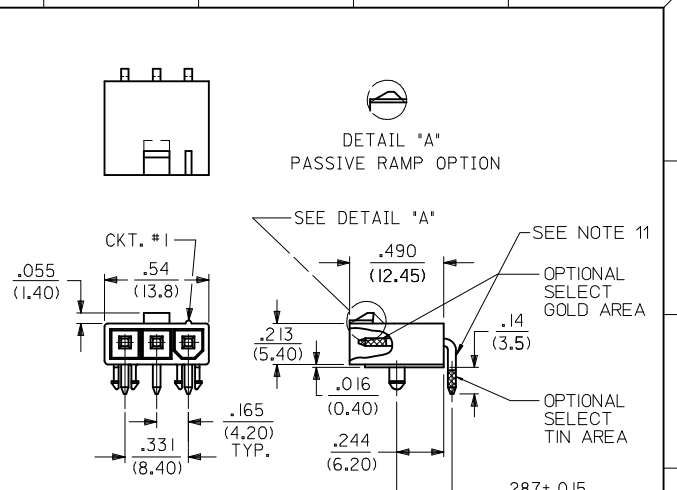
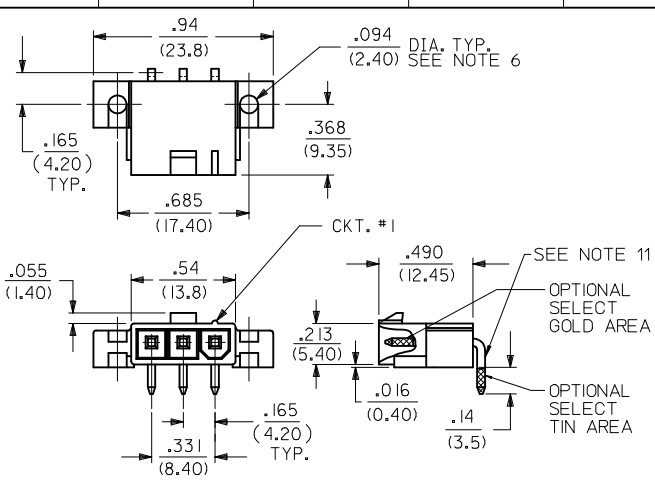


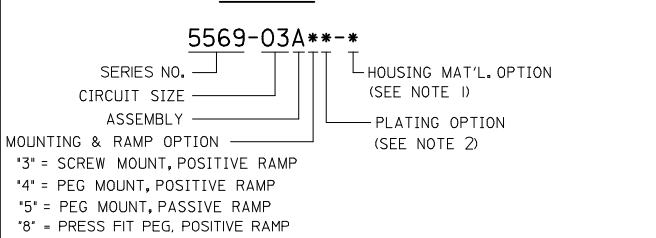
PART NUMBER	ENGINEERING NUMBER	MOUNT OPTION	PLATING	MAT'L.	PACKAGING
39-31-1032	5569-03A4-BL	4	BLANK	BL	BULK
39-30-3035	5569-03A4	4	BLANK	BLANK	
39-30-4033	5569-03A4GS2	4	15 GOLD	BLANK	
39-30-3037	5569-03A4G	4	30 GOLD	BLANK	
39-30-3032	5569-03A3-210	3	BLANK	210	TRAY
39-30-3034	5569-03A3G-210	3	30 GOLD		
39-30-3036	5569-03A4-210	4	BLANK		BULK
39-30-4030	5569-03A4G2-210	4	15 GOLD		
39-30-3038	5569-03A4G-210	4	30 GOLD	210	
NO E.D.P.	5569-03A5G	5	30 GOLD	BLANK	
NO E.D.P.	5569-03A5MS	5	TIN/NICKEL	BLANK	
NO E.D.P.	5569-03A5G-210	5	30 GOLD	210	
39-34-3037	5569-03A5MS-210	5	TIN/NICKEL	210	TRAY
46999-0700	5569-03A8MS-130	8	TIN/NICKEL	130	



NOTES:

- HOUSING MATERIAL:
 "BLANK" = NYLON 6/6, U.L. 94V-2, COLOR: NATURAL.
 130 = LCP, U.L. 94V-0, COLOR: BLACK
 210 = NYLON 6/6, U.L. 94V-0, COLOR: NATURAL.
 BL = NYLON 6/6, U.L. 94V-2, COLOR: BLACK.
 TERMINAL MATERIAL: BRASS, ALLOY
- TERMINAL PLATING:
 "BLANK", MS - .000100/(0.00254) MIN. MATTE TIN OVER
 .000050/(0.00127) MIN. NICKEL
 G - .000030/(.00076) MIN. SELECT GOLD, .000100/(.00254) MIN. SELECT MATTE TIN OVER .000050/(.00127) MIN. NICKEL OVERALL.
 G2,GS2 - .000015/(.00038) MIN. SELECT GOLD, .000100/(.0254) MIN. SELECT MATTE TIN OVER .000050/(.00127) MIN. NICKEL OVERALL.
- PRODUCT SPECIFICATION: PS-5556-001
- PACKAGING SPECIFICATION: BULK PACK PER PK-5569-002
 TRAY PACK PER PK-5569-005
- PART MATES WITH MOLEX RECEPTACLE #5557.
- PART IS DESIGNED FOR USE WITH #4 OR M3 SELF TAPPING SCREWS.
- DISCOLORATION IN THE BANDOLIEN CARRIER AREA OF THE PIN IS INHERENT TO THE PLATING PROCESS AND IS DUE TO THE MASKING EFFECT OF THE CARRIER. THIS DISCOLORATION IS IN A NON-FUNCTIONAL AREA OF THE PIN AND WILL NOT AFFECT THE PERFORMANCE OF THE HEADER ASSEMBLY.
- CONNECTORS ARE NOT BE MATED OR UNMATED WHILE CIRCUITS ARE LIVE.
- PARTS ARE NOT DESIGNED FOR CURRENT SHARING.
- PART CONFORMS TO CLASS "B" REQUIREMENTS OF "COSMETIC SPECIFICATION PS-45499-002."
- FORMING MARKS ON PINS ARE ACCEPTABLE
- CORNER CORE-OUTS ARE OPTIONAL AND MAY OR MAY NOT BE PRESENT
- HOLE TOLERANCE FOR PART NUMBER 46999-0700 IS ±.001 / ±0.03

LEGEND



ADDED NOTE 13 EC NO: UCP2016-2924 DRAWN:CSLAFTER CHKD:JBELL APPR:FSM/TH	DESCRIPTION 2016/01/22 2016/01/22 2016/02/05	QUALITY SYMBOLS ▽=0 ▽=0 ▽=0	GENERAL TOLERANCES (UNLESS SPECIFIED)		DIMENSION STYLE		SCALE	DESIGN UNITS	THIRD ANGLE PROJECTION	
			mm	INCH	IN/MM		10:1	METRIC		
DRAWN BY GEP 9/20/90			4 PLACES ± --- ± ---		DRAWN BY GEP DATE 9/20/90		TITLE RIGHT ANGLE HEADER ASSY, 3 CKT., SINGLE ROW, MINI-FIT JR. SERIES			
			3 PLACES ± --- ± .010		CHECKED BY RJF DATE 9/20/90					
APPROVED BY FSM/TH DATE 2014/05/16			2 PLACES ± 0.25 ± .015		MATERIAL NO. SEE CHART		DOCUMENT NO. SDA-5569-03A**		SHEET NO. 1 OF 1	
			1 PLACE ± 0.38 ± ---							
DRAFT WHERE APPLICABLE MUST REMAIN WITHIN DIMENSIONS			0 PLACE ± --- ± ---		SIZE C		THIS DRAWING CONTAINS INFORMATION THAT IS PROPRIETARY TO MOLEX INCORPORATED AND SHOULD NOT BE USED WITHOUT WRITTEN PERMISSION			
			ANGULAR ± 3°							