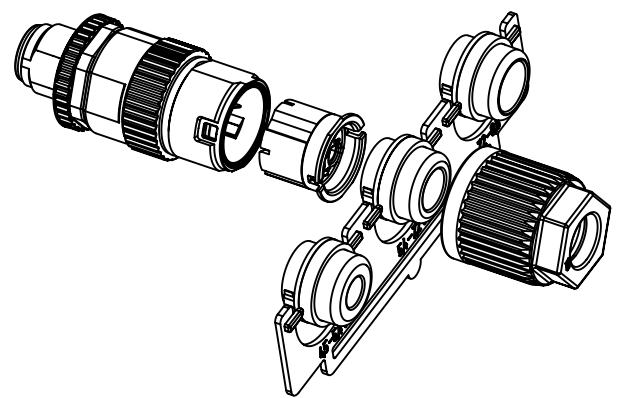


conductor cross section	0.34 - 0.75mm ² AWG22-AWG18
cable outside diameter	4.5 - 8.8mm



	All rights reserved Department EC PD - DE	All Dimensions in mm Original Size DIN A4		Scale 2:1	Free size tol.	Ref. Sub. TB 21032821405 / 500000055420 / 2012-09-26	
		Created by DYCKC	Inspected by EISFELD	Standardisation HOFFMANN	Date 2015-11-23	State Final Release	
HARTING Electronics GmbH D-32339 Espelkamp		Title HARAX M12-L shielded male 4-pole D-coded				Doc-Key / ECM-Nr. 100196290/UGD/003/E 500000097510	
		Type TB	Number 21032821405		Rev. E	Page 1/1	