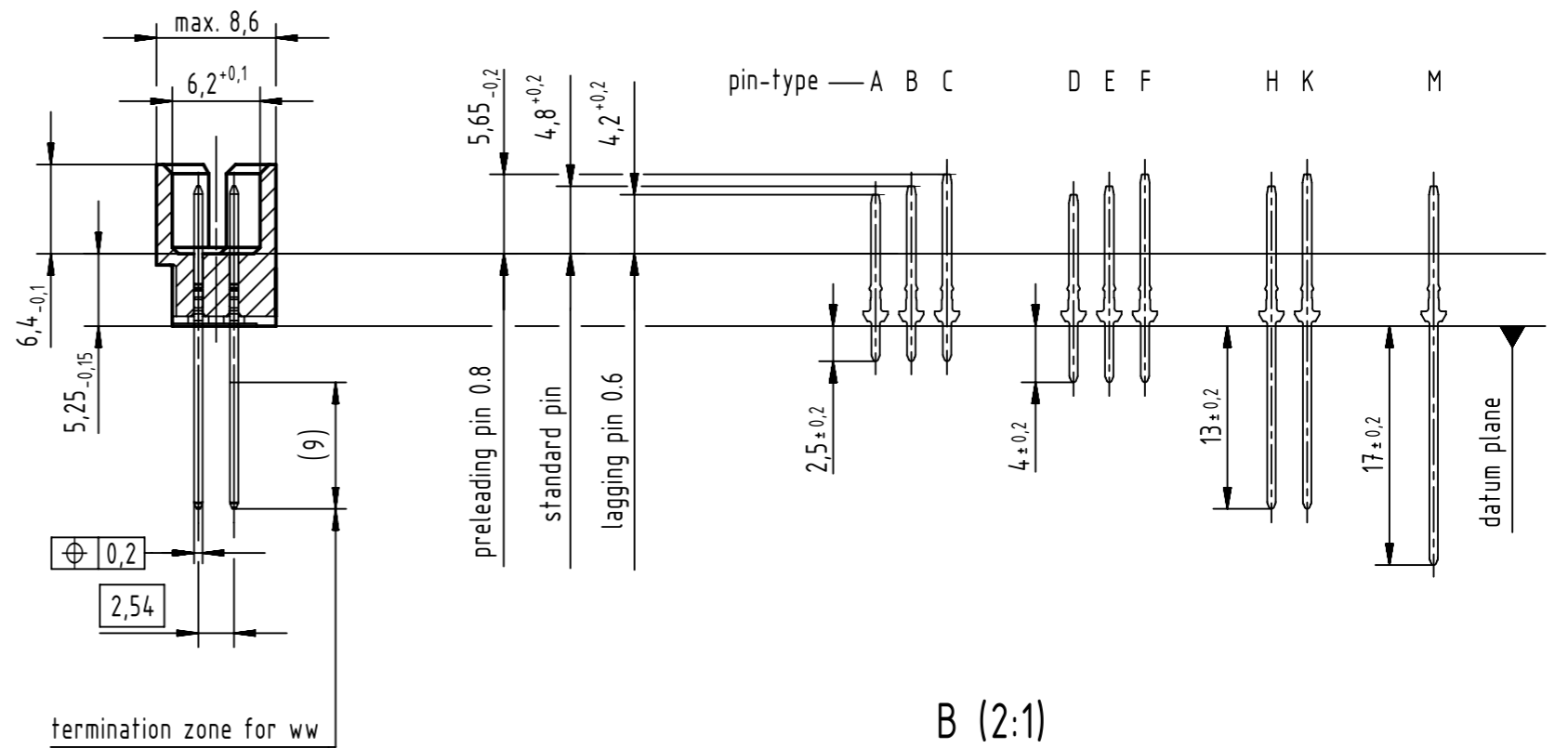
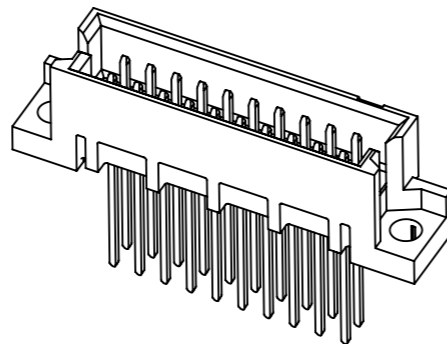
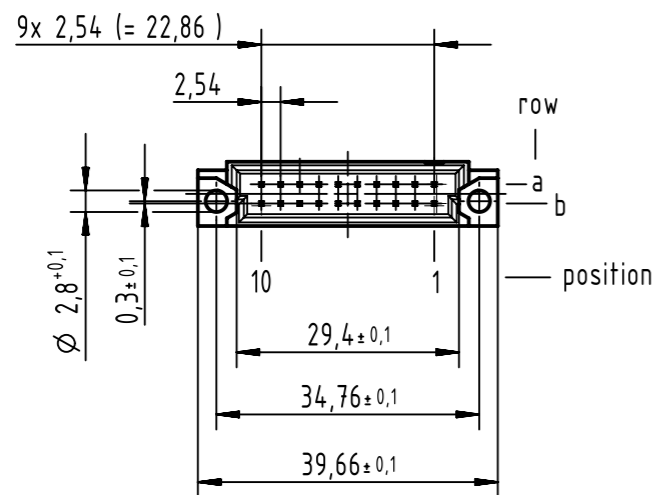
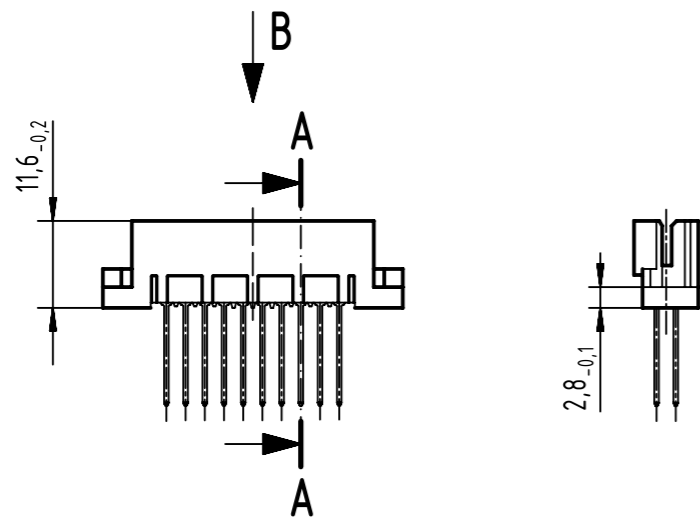
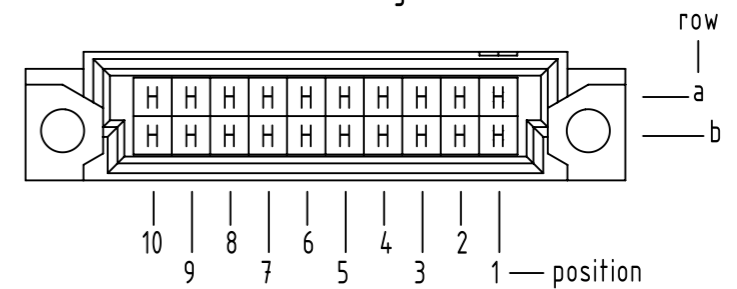


A-A (2:1)



B (2:1)
contact loading



1 further information see: DS 09731100001

09751206577	2
part no.	performance level 1

	All rights reserved	Created by	Inspected by	Standardisation	Date	State	
	Department EC PD - DE	HASELOH	JASCHKE	HOFFMANN	2013-11-22	Final Release	
HARTING Electronics GmbH D-32339 Espelkamp		Title DIN Signal type 3Q male solder WW 13mm 20-pole				Doc-Key / ECM-Nr. 100223825/UGD/005/A 50000068802	
		Type	Number			Rev.	Page
		TB	0975120X577			A	1/1