

Handle Series FG11

Manageable functional handle.

Material and surface:

Polyamide PA 6, black with fine structure.

Function elements:

Type 1: Flat push button with red or green LED.

Type 2: Raised push button with red or green LED (convenient in case of a longer duration of activation).

Connection A:

8-pin connector at the mounting surface of the handle. Coupling with 10 m ready made cable available as accessories.

Connection B:

The 5 m connection cable leading out of the mounting surface of the handle shank.

Protection class:

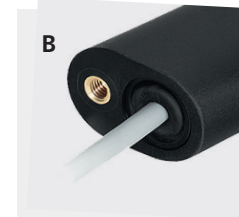
IP 65 (for version A with screwed coupling).



Typ



Connection



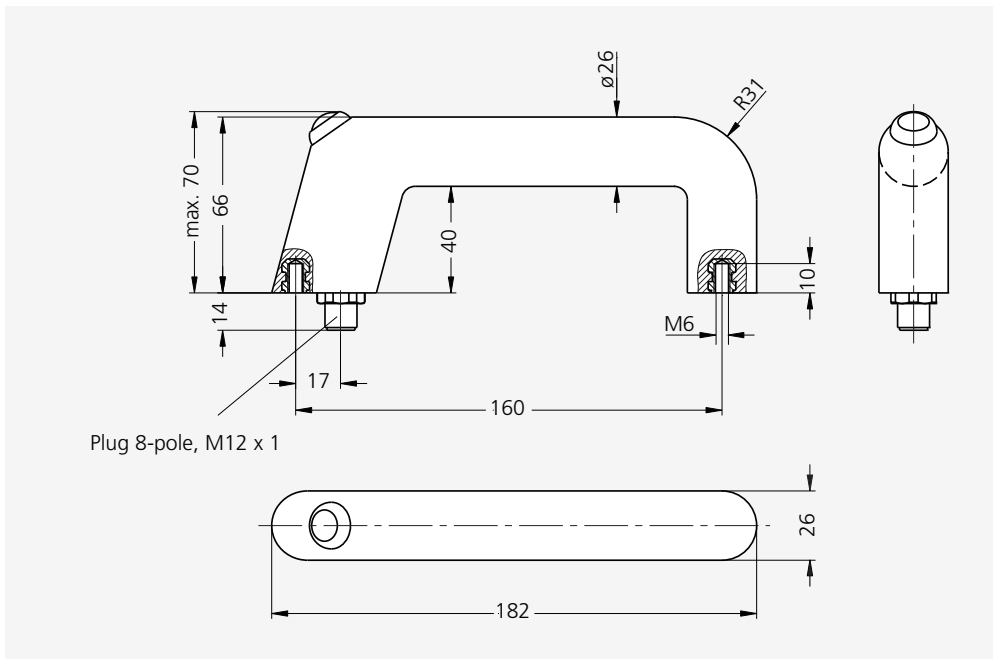
Typ	Color	A	Connection	
			A Plug	B Cable
		Order no.	Order no.	Order no.
1	green	160	FG11-3SG.160.84	FG11-3KG.160.84
	red	160	FG11-3SR.160.84	FG11-3KR.160.84
2	green	160	FG11-4SG.160.84	FG11-4KG.160.84
	red	160	FG11-4SR.160.84	FG11-4KR.160.84

Handle accessories

Coupling with cable 8-pole (M12 x 1)

	L	Order no.
	10 m	FZ-KS.G08.10





Plug 8-pole, M12 x 1

Technical data

FG11

<p>Push button, LED (1 NC + 1 NO contact)</p>	
<p>Push button</p>	<p>24 V AC/DC max. 1 A</p>
<p>Operating voltage LED</p>	<p>24 V DC (12 V DC optional)</p>
<p>Connection type</p>	<p>8-pole, M12 x 1</p>
<p>Connector assignment (Plug side view)</p>	
<p>Mounting cutout</p>	



Door solenoid tumbler see page 304–305.

All dimensions in mm.