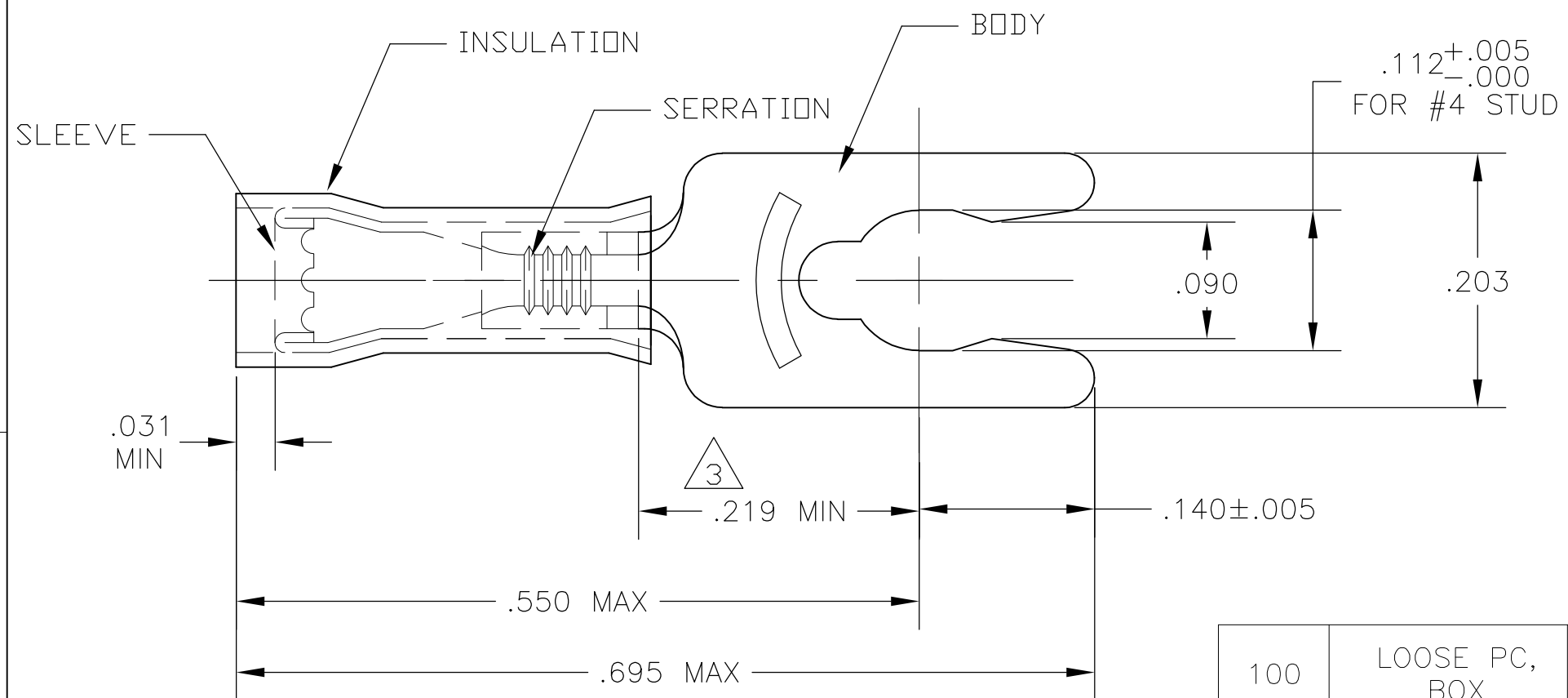


THIS DRAWING IS UNPUBLISHED. RELEASED FOR PUBLICATION
 © COPYRIGHT BY TYCO ELECTRONICS CORPORATION. ALL INTERNATIONAL RIGHTS RESERVED.

LOC	DIST	REVISIONS					
G	14	P	LTR	DESCRIPTION	DATE	DWN	APVD
		F		REV & REDRAWN PER ECR 10-005247	09MAR10	JR	TM

- 1 FOR .050 TO .082 WIRE INSULATION DIA
- 2 TONGUE MATERIAL THK = .018±.002
- △3 APPLIES FROM THE METAL EDGE OF THE BARREL TO THE CENTER OF THE STUD



100	LOOSE PC, BOX	BODY: PHOS BRONZE PER ASTM-B103 TIN PLATE PER ASTM-B545 SLEEVE: COPPER PER ASTM-B152 TIN PLATE PER ASTM-B545 INSULATION: NYLON PER ASTM-D4066 TYPE 1, COLOR: YELLOW	8-52922-1
5,000	52922 ON TAPE		52922-1
1	WIRE TERMINAL		52922
QTY	DESCRIPTION		MATERIAL & FINISH

THIS DRAWING IS A CONTROLLED DOCUMENT.		DWN jr_ruth 09MAR10	Tyco Electronics Corporation Harrisburg, PA 17105-3608	
DIMENSIONS: INCHES		CHK TOM MICHIELUTTI 09MAR10	NAME	
TOLERANCES UNLESS OTHERWISE SPECIFIED:		APVD TOM MICHIELUTTI 09MAR10	WIRE TERMINAL, PIDG, SPRING SPADE WIRE SIZE: 26-22	
0 PLC ± - 1 PLC ± - 2 PLC ± .008 3 PLC ± - 4 PLC ± - ANGLES ± 5°		PRODUCT SPEC -	SIZE A3	CAGE CODE 00779
MATERIAL SEE TABLE		APPLICATION SPEC -	DRAWING NO G-52922	RESTRICTED TO -
FINISH SEE TABLE		WEIGHT -	CUSTOMER DRAWING	
		SCALE 8:1	SHEET 1 OF 1	REV F