



FCIconnect.com

Copyright FCI.

1

2

List of "SFV__R-1/2STBE5HLF" customer document

DOCUMENT NO.	LIST
SC-SFV08	SPEC.
10117738 Sheet2	CAT.NO.TABLE FOR 0.5mm CONTACT SPACING CONNECTOR (SFV__R-1/2STB_HLF)
10117738 Sheet3	CONNECTOR USED FOR FPC/FFC WITH 0.5mm CONTACT SPACING (SFV__R-1STB_HLF)
10117738 Sheet4	CONNECTOR USED FOR FPC/FFC WITH 0.5mm CONTACT SPACING (SFV__R-2STB_HLF)
10117738 Sheet5	CAT.NO.TABLE FOR PLASTIC TAPE PACKAGED 0.5mm CONTACT SPACING CONNECTOR (SFV__R-1/2STBE5HLF)
10117738 Sheet6	PLASTIC TAPE PACKAGED 0.5mm CONTACT SPACING CONNECTOR (SFV__R-1STBE5HLF)
10117738 Sheet7	PLASTIC TAPE PACKAGED 0.5mm CONTACT SPACING CONNECTOR (SFV__R-2STBE5HLF)
10117738 Sheet8	RECOMMENDED CABLE (FPC) (SFV__R-1/2ST__LF)
10117738 Sheet9	RECOMMENDED CABLE (FFC) (SFV__R-1/2ST__LF)
BUM-SFV101	HANDLING PROCEDURES

mat'l. code				surface ISO 1302 <input checked="" type="checkbox"/>		tolerance ISO 406 ISO 1101		projection 		product family 58EF		CODE JP	
ltr	ecn no	dr	date	tolerances unless otherwise specified		mm		scale		title 0.5mm SPACING FPC CONNECTOR DOCUMENT LIST (Cat. No. : SFV__R-1/2STBE5HLF)			
A	J11-0061	S.W	2011-3-8	angles		linear		∞		dwg no	sheet 1 of 9		size
				dr	<i>S. Wether</i>	2011-3-8				10117738			A4
				enr	<i>S. Wether</i>	2011-3-8							
				chr	<i>Thasome</i>	2011-3-8							
				appd	<i>M. Wether</i>	Mar 8 '11							
sheet index	revision sheet	A	A	A	A	A	A	A	A	A			Rev. A
	1	2	3	4	5	6	7	8	9				

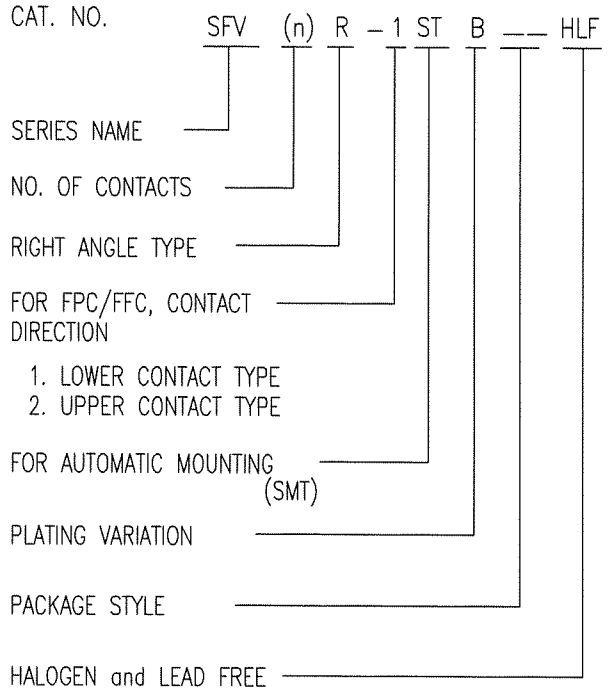
form: A4

1

2

CAT. NO. & DIMENSIONS

NO. OF CONTACTS (n)	CAT. NO.	DIMENSIONS (NOTE2)			
		A ± 0.2	B ± 0.2	C ± 0.1	D ± 0.1
4	SFV4R-1/2STB__HLF	7.5	5.9	1.5	2.7
5	SFV5R-1/2STB__HLF	8.0	6.4	2.0	3.2
6	SFV6R-1/2STB__HLF	8.5	6.9	2.5	3.7
7	SFV7R-1/2STB__HLF	9.0	7.4	3.0	4.2
8	SFV8R-1/2STB__HLF	9.5	7.9	3.5	4.7
9	SFV9R-1/2STB__HLF	10.0	8.4	4.0	5.2
10	SFV10R-1/2STB__HLF	10.5	8.9	4.5	5.7
11	SFV11R-1/2STB__HLF	11.0	9.4	5.0	6.2
12	SFV12R-1/2STB__HLF	11.5	9.9	5.5	6.7
13	SFV13R-1/2STB__HLF	12.0	10.4	6.0	7.2
14	SFV14R-1/2STB__HLF	12.5	10.9	6.5	7.7
15	SFV15R-1/2STB__HLF	13.0	11.4	7.0	8.2
16	SFV16R-1/2STB__HLF	13.5	11.9	7.5	8.7
17	SFV17R-1/2STB__HLF	14.0	12.4	8.0	9.2
18	SFV18R-1/2STB__HLF	14.5	12.9	8.5	9.7
19	SFV19R-1/2STB__HLF	15.0	13.4	9.0	10.2
20	SFV20R-1/2STB__HLF	15.5	13.9	9.5	10.7
21	SFV21R-1/2STB__HLF	16.0	14.4	10.0	11.2
22	SFV22R-1/2STB__HLF	16.5	14.9	10.5	11.7
23	SFV23R-1/2STB__HLF	17.0	15.4	11.0	12.2
24	SFV24R-1/2STB__HLF	17.5	15.9	11.5	12.7
25	SFV25R-1/2STB__HLF	18.0	16.4	12.0	13.2
26	SFV26R-1/2STB__HLF	18.5	16.9	12.5	13.7
27	SFV27R-1/2STB__HLF	19.0	17.4	13.0	14.2
28	SFV28R-1/2STB__HLF	19.5	17.9	13.5	14.7
29	SFV29R-1/2STB__HLF	20.0	18.4	14.0	15.2
30	SFV30R-1/2STB__HLF	20.5	18.9	14.5	15.7
31	SFV31R-1/2STB__HLF	21.0	19.4	15.0	16.2
32	SFV32R-1/2STB__HLF	21.5	19.9	15.5	16.7
33	SFV33R-1/2STB__HLF	22.0	20.4	16.0	17.2
34	SFV34R-1/2STB__HLF	22.5	20.9	16.5	17.7
35	SFV35R-1/2STB__HLF	23.0	21.4	17.0	18.2



NOTES

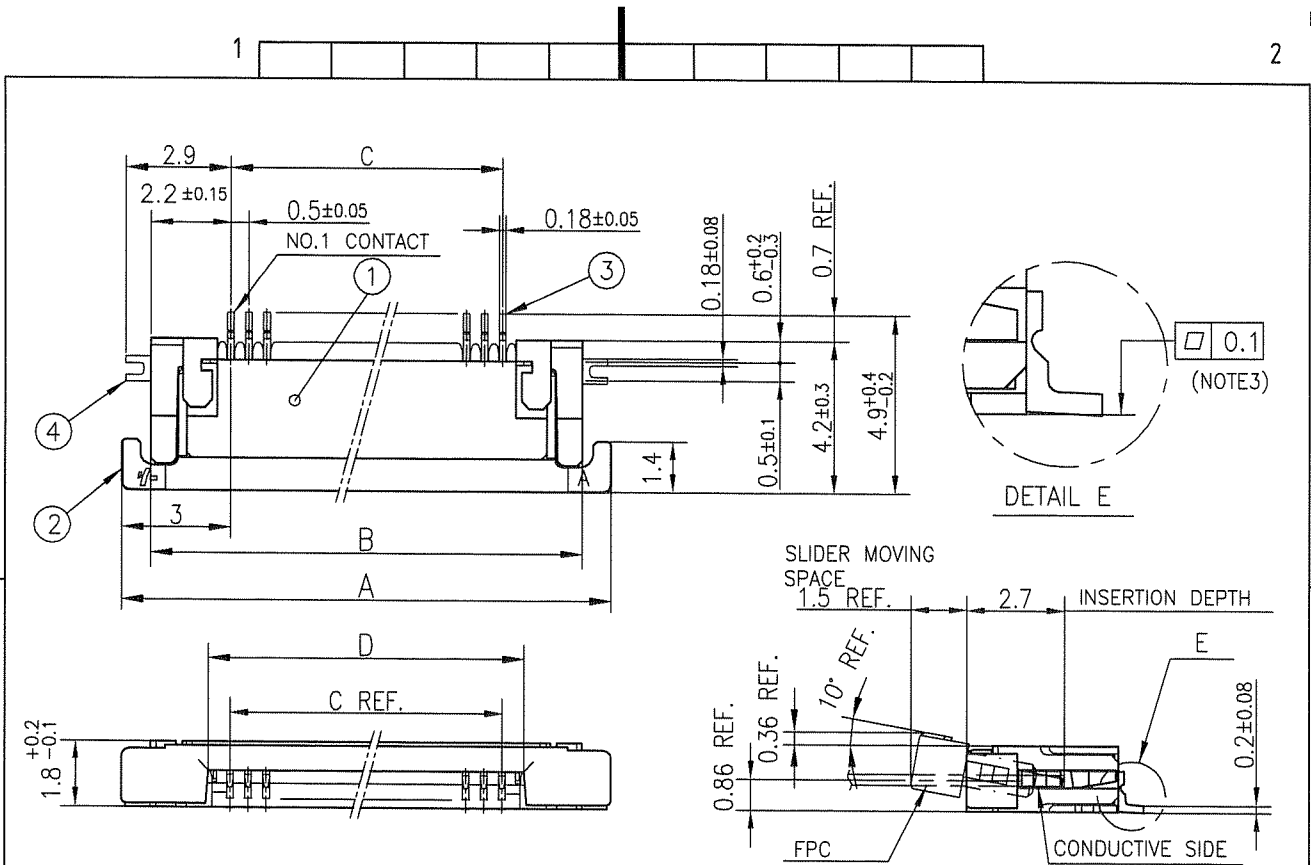
1. THIS PRODUCT IS THE CONNECTOR USED FOR FPC AND COPEES WITH AUTOMATIC MOUNTING (SMT).
2. SEE PART DRAWINGS FOR DIMENSIONS A~D.



FCIconnect.com

Copyright FCI.

mat'l. code				surface ISO 1302 <input checked="" type="checkbox"/>		tolerance ISO 406 <input checked="" type="checkbox"/>		projection		product family 58EF		CODE JP	
ltr				ecn no		dr		date		title		CAT. NO. TABLE FOR 0.5 mm CONTACT SPACING CONNECTOR (Cat. No. : SFV__R-1/2STB__HLF)	
A										mm			
				angles		linear		scale X		dwg no		sheet 2 of 9 size A4	
				dr		2011-3-8		engr		10117738			
				chr		2011-3-8		appd		type		Product Customer Drawing	
sheet index				revision sheet								Rev. A	

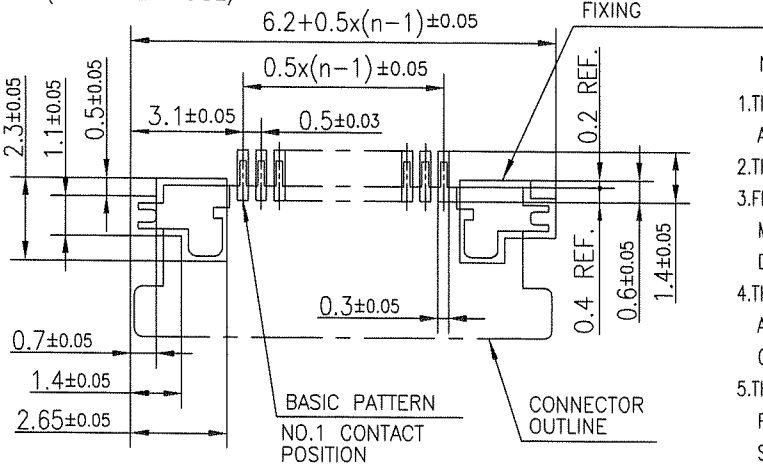


PT. NO.	PARTS NAME	MATERIAL	Q'TY	NOTE
1	HOUSING	13~35pin : LCP RESIN GLASS REINFORCED (UL94V-0)	1	COLOR : BLACK (HALOGEN FREE)
		4~12pin : POLYAMIDE RESIN GLASS REINFORCED (UL94V-0)		
2	SLIDER	PPS RESIN GLASS REINFORCED (UL94V-0)	1	COLOR : BLACK (HALOGEN FREE)
3	CONTACT	PHOSPHOR BRONZE	n	PLATING : GOLD
4	MOUNTING PLATE		2	PLATING : LEAD FREE

RECOMMENDED PC BOARD LAYOUT
(COMPONENT SIDE)

PATTERN FOR MOUNTING PLATE
FIXING

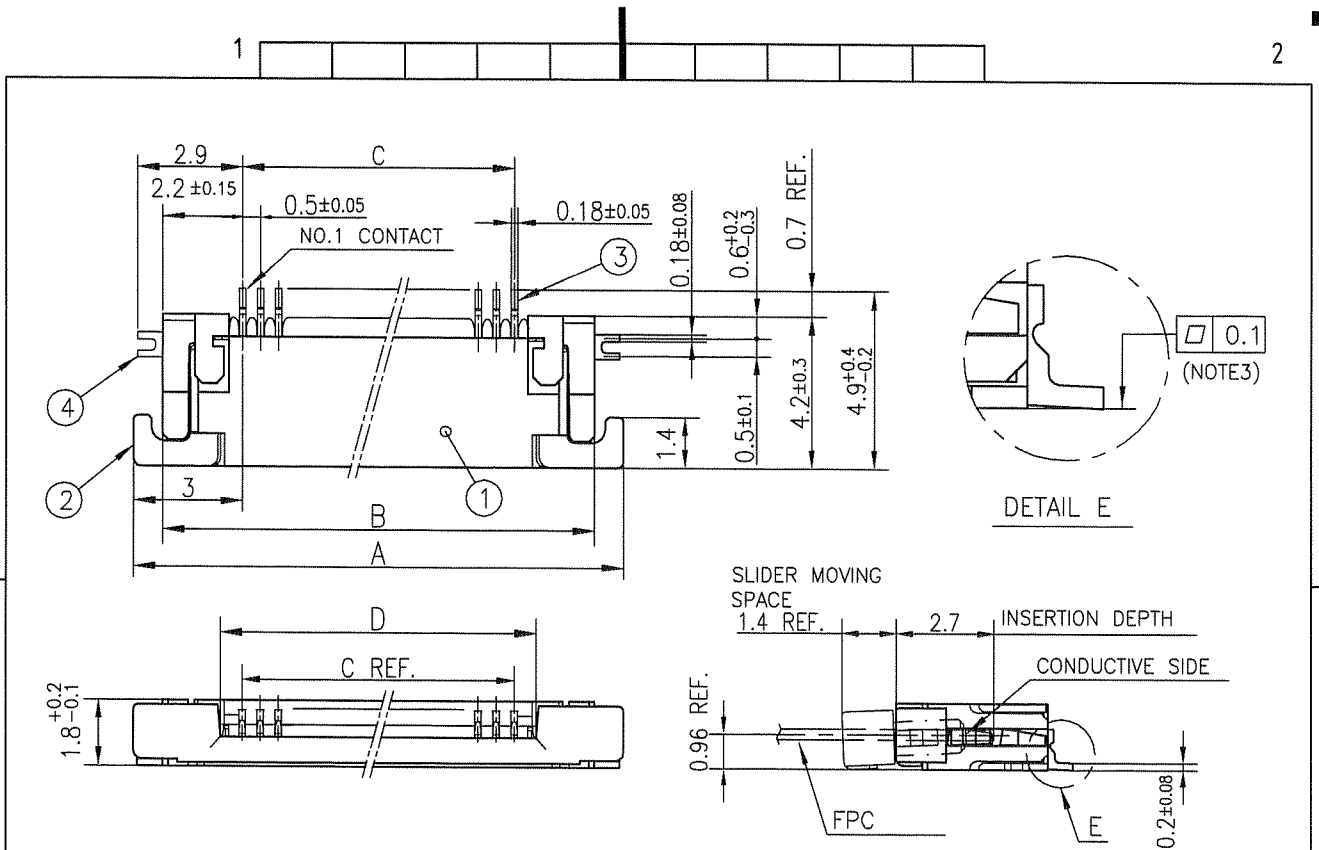
n : NO. OF CONTACTS



NOTES

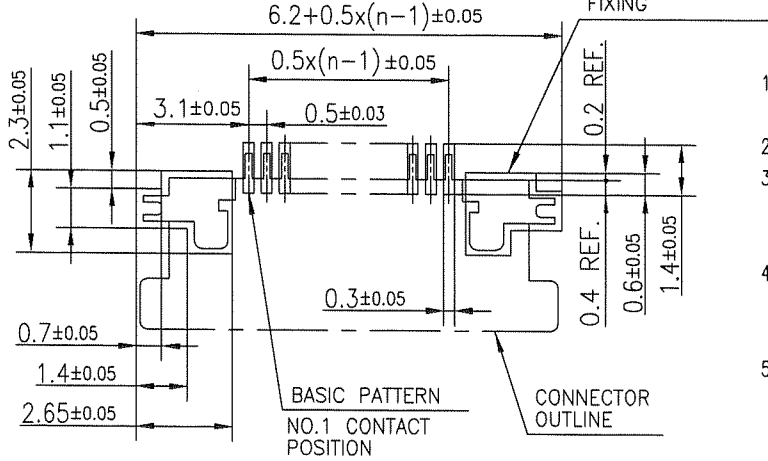
1. THIS PRODUCT IS THE CONNECTOR USED FOR FPC AND COPES WITH AUTOMATIC MOUNTING (SMT).
2. THIS PRODUCT IS LOWER CONTACT TYPE CONNECTOR.
3. FLATNESS OF CONTACT TERMINAL AND MOUNTING PLATE MUST BE WITHIN TOLERANCE IN E PORTION DETAILED DRAWING.
4. THIS PRODUCT MEETS EUROPEAN UNION DIRECTIVES AND OTHER COUNTRY REGULATIONS AS DESCRIBED IN GS-22-008.
5. THE HOUSING WILL WITHSTAND EXPOSURE TO 260°C PEAK TEMPERATURE FOR 10 SECONDS IN A REFLOW SOLDERING OVEN.

mat'l. code				surface ISO 1302 ✓ tolerances unless otherwise specified		tolerance ISO 406 ISO 1101		projection mm		product family 58EF		CODE JP	
ltr				angles		linear		scale		title CONNECTOR USED FOR FPC WITH 0.5 mm CONTACT SPACING (Cat No. : SFV__R-1STB__HLF)			
A										dwg no 10117738			
dr				dr		engr		chr		appd		sheet 3 of 9	
				S. W. T. H. V.		S. W. T. H. V.		Z. Y. S. O. N. E.		M. C. O. N. I. T. O.		2011-3-8	
												2011-3-8	
												2011-3-8	
												Mar 8 11	
sheet index		revision sheet										Rev. A	



PT. NO.	PARTS NAME	MATERIAL	Q'TY	NOTE
1	HOUSING	13~35pin : LCP RESIN GLASS REINFORCED (UL94V-0)	1	COLOR : BLACK (HALOGEN FREE)
		4~12pin : POLYAMIDE RESIN GLASS REINFORCED (UL94V-0)		
2	SLIDER	PPS RESIN GLASS REINFORCED (UL94V-0)	1	COLOR : BLACK (HALOGEN FREE)
3	CONTACT	PHOSPHOR BRONZE	n	PLATING : GOLD
4	MOUNTING PLATE		2	PLATING : LEAD FREE

RECOMMENDED PC BOARD LAYOUT
(COMPONENT SIDE)



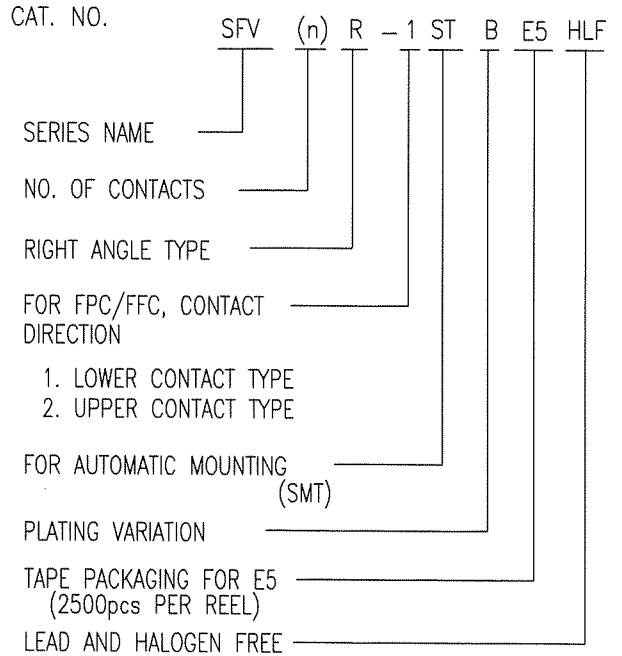
n : NO. OF CONTACTS

- NOTES
1. THIS PRODUCT IS THE CONNECTOR USED FOR FPC AND COPES WITH AUTOMATIC MOUNTING (SMT).
 2. THIS PRODUCT IS UPPER CONTACT TYPE CONNECTOR.
 3. FLATNESS OF CONTACT TERMINAL AND MOUNTING PLATE MUST BE WITHIN TOLERANCE IN E PORTION DETAILED DRAWING.
 4. THIS PRODUCT MEETS EUROPEAN UNION DIRECTIVES AND OTHER COUNTRY REGULATIONS AS DESCRIBED IN GS-22-008.
 5. THE HOUSING WILL WITHSTAND EXPOSURE TO 260°C PEAK TEMPERATURE FOR 10 SECONDS IN A REFLOW SOLDERING OVEN.

mat'l. code				surface ISO 1302		tolerance ISO 406 ISO 1101		projection		product family 58EF		CODE JP	
ltr	ecn no	dr	date	tolerances unless otherwise specified				mm		title CONNECTOR USED FOR FPC WITH 0.5 mm CONTACT SPACING (Cat. No. : SFV__R-2STB__HLF)			
A				angles		linear		scale		dwg no 10117738		sheet 4 of 9 size A4	
				dr		2011-3-8		FCJ		type Product Customer Drawing			
				enr		2011-3-8							
				chr		2011-3-8							
				appd		Mar 8 11							
sheet index		revision sheet										Rev. A	

CAT. NO. & DIMENSIONS

NO. OF CONTACTS (n)	CAT. NO.	DIMENSIONS (NOTE3)		
		F MAX.	G ± 0.3	H ± 0.1
4	SFV4R-1/2STBE5HLF	22.4	16	—
5	SFV5R-1/2STBE5HLF	22.4	16	—
6	SFV6R-1/2STBE5HLF	22.4	16	—
7	SFV7R-1/2STBE5HLF	30.4	24	—
8	SFV8R-1/2STBE5HLF	30.4	24	—
9	SFV9R-1/2STBE5HLF	30.4	24	—
10	SFV10R-1/2STBE5HLF	30.4	24	—
11	SFV11R-1/2STBE5HLF	30.4	24	—
12	SFV12R-1/2STBE5HLF	30.4	24	—
13	SFV13R-1/2STBE5HLF	30.4	24	—
14	SFV14R-1/2STBE5HLF	30.4	24	—
15	SFV15R-1/2STBE5HLF	30.4	24	—
16	SFV16R-1/2STBE5HLF	30.4	24	—
17	SFV17R-1/2STBE5HLF	30.4	24	—
18	SFV18R-1/2STBE5HLF	30.4	24	—
19	SFV19R-1/2STBE5HLF	30.4	24	—
20	SFV20R-1/2STBE5HLF	30.4	24	—
21	SFV21R-1/2STBE5HLF	30.4	24	—
22	SFV22R-1/2STBE5HLF	30.4	24	—
23	SFV23R-1/2STBE5HLF	38.4	32	28.4
24	SFV24R-1/2STBE5HLF	38.4	32	28.4
25	SFV25R-1/2STBE5HLF	38.4	32	28.4
26	SFV26R-1/2STBE5HLF	38.4	32	28.4
27	SFV27R-1/2STBE5HLF	38.4	32	28.4
28	SFV28R-1/2STBE5HLF	38.4	32	28.4
29	SFV29R-1/2STBE5HLF	38.4	32	28.4
30	SFV30R-1/2STBE5HLF	38.4	32	28.4
31	SFV31R-1/2STBE5HLF	50.4	44	40.4
32	SFV32R-1/2STBE5HLF	50.4	44	40.4
33	SFV33R-1/2STBE5HLF	50.4	44	40.4
34	SFV34R-1/2STBE5HLF	50.4	44	40.4
35	SFV35R-1/2STBE5HLF	50.4	44	40.4



NOTES

1. THIS PRODUCT IS THE CONNECTOR USED FOR FPC AND COPES WITH AUTOMATIC MOUNTING (SMT).
2. THIS CATALOG NO. INDICATES PLASTIC TAPE PACKAGED CONNECTOR.
3. SEE PART DRAWINGS FOR DIMENSIONS F~H.

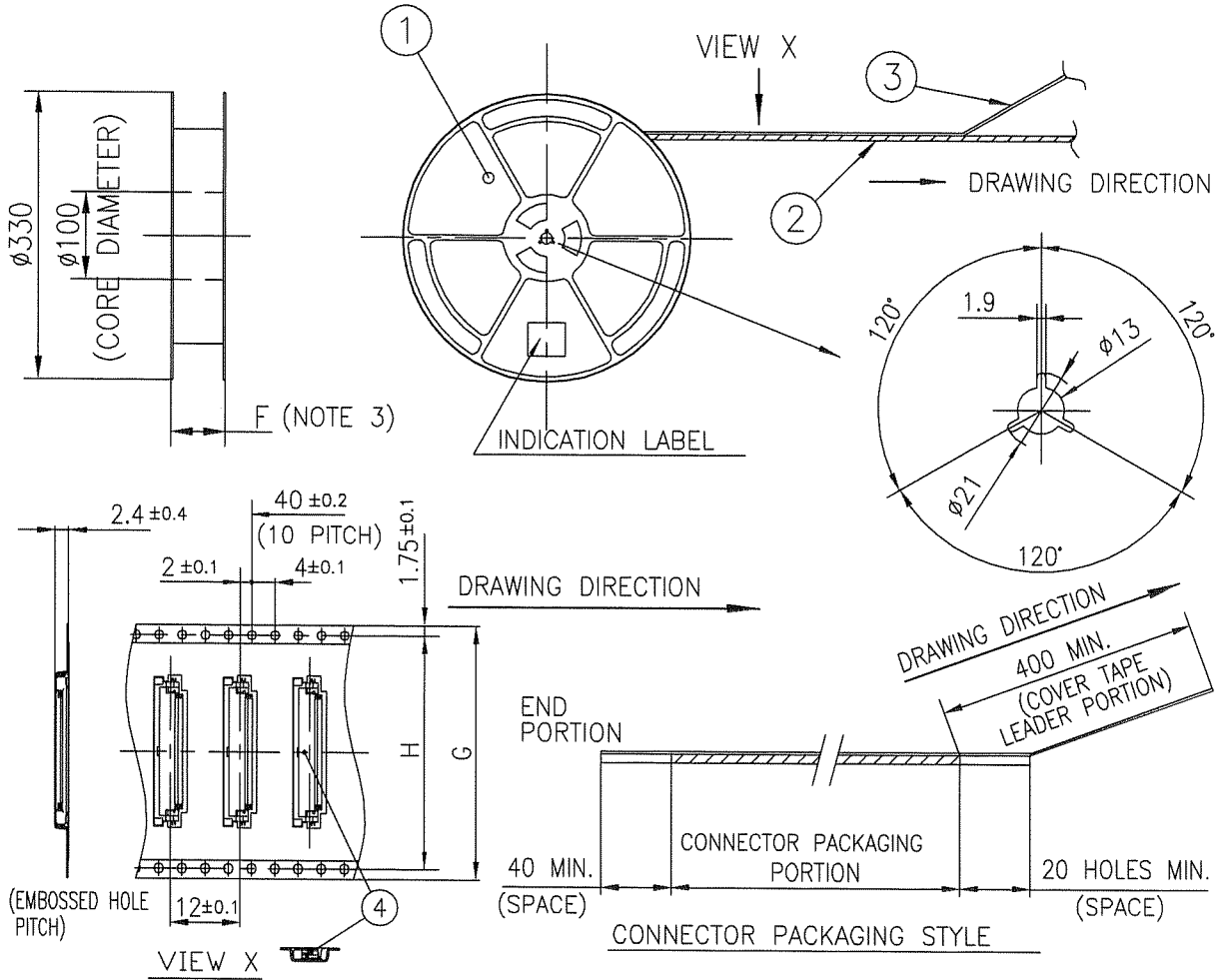


FCIconnect.com

Copyright FCI.

mat'l. code				surface ISO 1302 ✓		tolerance ISO 406 ISO 1101		projection		product family 58EF		CODE JP	
ltr		ecn no		dr		date		tolerances unless otherwise specified		title CAT. NO. TABLE FOR PLASTIC TAPE PACKAGED 0.5 mm CONTACT SPACING CONNECTOR (Cat. No. : SFV__R-1/2STBE5HLF)		dwg no 10117738 sheet 5 of 9 size A4	
A								angles linear					
								mm		scale X		type Product Customer Drawing	
								linear					
				dr		S. Matar 2011-3-8		FCI		Rev. A		D	
				enr		S. Matar 2011-3-8							
				chr		R. Brown 2011-3-8							
				appd		M. C. 2011-3-8							
sheet index		revision sheet											

TOLERANCES
UNLESS OTHERWISE SPECIFIED : ±5, ANGLE ±5°



PT. NO.	PARTS NAME	CAT. NO.	MATERIAL	Q'TY	NOTE
1	REEL	_____	POLYSTYRENE	1	COLOR : BLACK
2	PLASTIC (EMBOSS) TAPE	_____	A-PET	_____	COLOR : TRANSPARENCY
3	COVER	_____	POLYESTER	_____	COLOR : TRANSPARENCY
4	CONNECTOR	SFV_R-1STB_HLF	SEE ATTACHED DWG.	2500	LOWER CONTACT TYPE

NOTES

- THIS IS PLASTIC TAPE PACKAGED CONNECTOR USED FOR FPC AND COPEs WITH AUTOMATIC MOUNTING (SMT).
- SEE JIS C 0806 (PACKING OF ELECTRONIC COMPONENTS ON CONTINUOUS TAPES (SURFACE MOUNTING DEVICES)) FOR SHAPE AND DIMENSIONS OF PLASTIC (EMBOSS) TAPE AND REEL.
- F DIMENSION IS PORTION OF THE CORE.

mat'l. code		surface ISO 1302 ✓		tolerance ISO 406 ISO 1101		projection		product family 58EF		CODE JP	
ltr	ecn no	dr	date	tolerances unless otherwise specified		mm		title			
A				angles	linear	mm		PLASTIC TAPE PACKAGED			
						scale X		0.5 mm CONTACT SPACING CONNECTOR			
				dr	S. M. H. L.	2011-3-8		(Cat. No. : SFV_R-1STBE5HLF)			
				enr	S. M. H. L.	2011-3-8		dwg no		sheet 6 of 9	
				chr	Z. M. S. O.	2011-3-8		10117738		size A4	
				appd	M. M. S.	Mar 8/11		type Product Customer Drawing			
sheet index	revision sheet										Rev. A

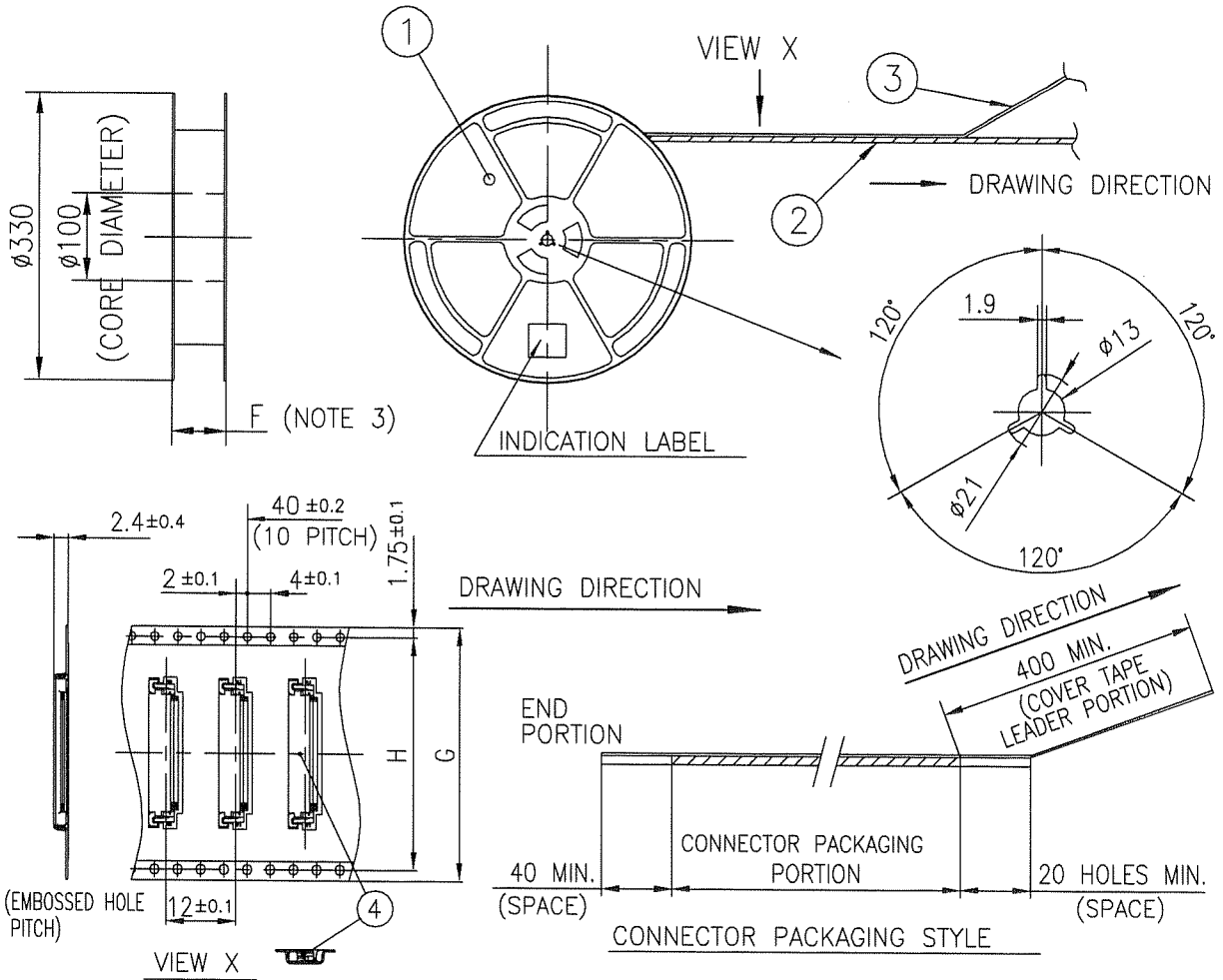


FCIconnect.com

Copyright FCI.



TOLERANCES
UNLESS OTHERWISE SPECIFIED : ±5, ANGLE ±5°



PT. NO.	PARTS NAME	CAT. NO.	MATERIAL	Q'TY	NOTE
1	REEL	_____	POLYSTYRENE	1	COLOR : BLACK
2	PLASTIC (EMBOSS) TAPE	_____	A-PET	_____	COLOR : TRANSPARENCY
3	COVER	_____	POLYESTER	_____	COLOR : TRANSPARENCY
4	CONNECTOR	SFV__R-2STB_HLF	SEE ATTACHED DWG.	2500	UPPER CONTACT TYPE

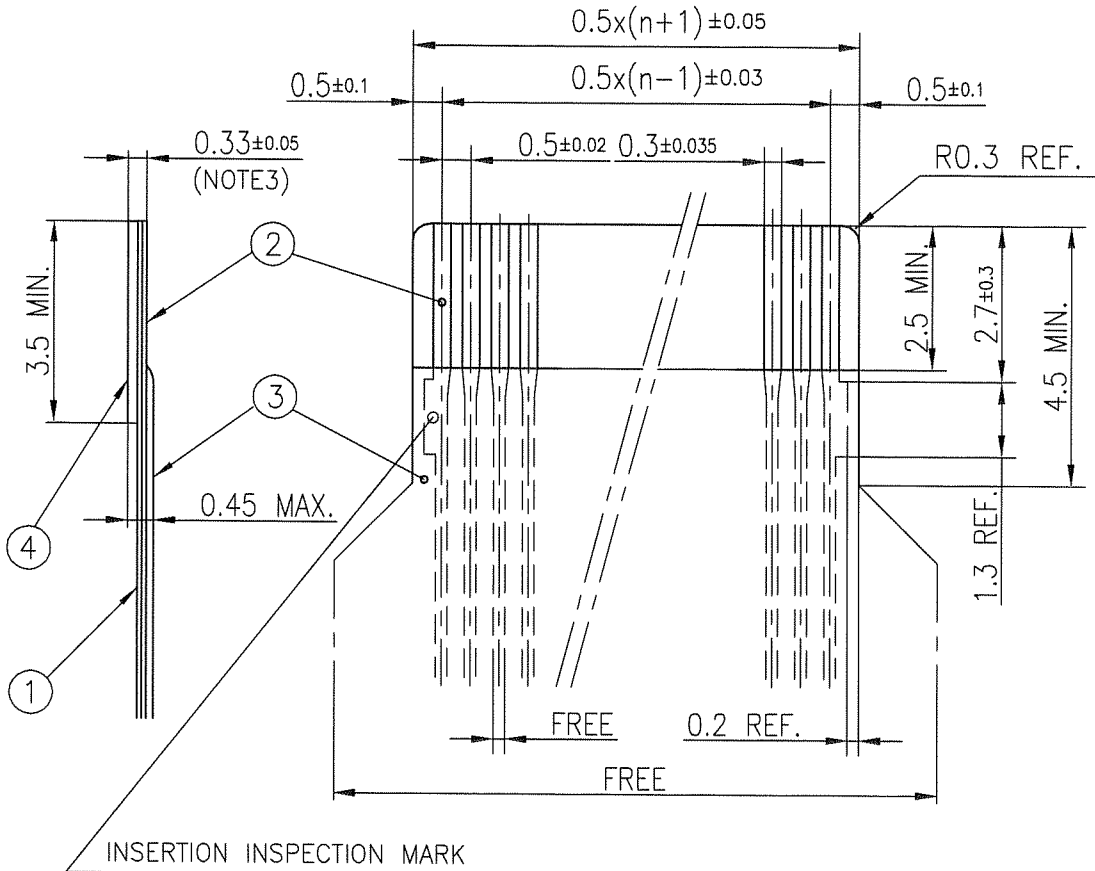
NOTES

- THIS IS PLASTIC TAPE PACKAGED CONNECTOR USED FOR FPC AND COPEs WITH AUTOMATIC MOUNTING (SMT).
- SEE JIS C 0806 (PACKING OF ELECTRONIC COMPONENTS ON CONTINUOUS TAPES (SURFACE MOUNTING DEVICES)) FOR SHAPE AND DIMENSIONS OF PLASTIC (EMBOSS) TAPE AND REEL.
- F DIMENSION IS PORTION OF THE CORE.

mat'l. code		surface	tolerance	projection	product family	CODE	
		ISO 1302	ISO 406		58EF	JP	
		tolerances unless otherwise specified	ISO 1101		title	PLASTIC TAPE PACKAGED	
ltr	ecn no	dr	date	mm	0.5 mm CONTACT SPACING CONNECTOR		
A				scale	(Cat. No. : SFV__R-2STBE5HLF)		
		dr	2011-3-8		dwg no	sheet 7 of 9	
		enr	2011-3-8		10117738	size	A4
		chr	2011-3-8		type	Product Customer Drawing	
		appd	Mr. S. U.				
sheet index	revision sheet					Rev. A	

RECOMMENDED CABLE (FPC)

n : NO. OF CONTACTS



INSERTION INSPECTION MARK

PT. NO.	PARTS NAME	MATERIAL	THICKNESS (um)
1	BASE FILM	POLYIMIDE OR POLYESTER OR EQUAL	25
2	CONDUCTOR	COPPER FOIL(PLATING : GOLD)	35
3	OVERLAY	POLYIMIDE OR POLYESTER OR EQUAL	—
4	SUPPORTING TAPE	POLYESTER OR POLYIMIDE OR EQUAL	188

NOTES

1. NO BURR AT EACH PORTION.
2. NO PEELING IN COMMON USE.
3. TOTAL THICKNESS LIMIT OF EACH MATERIAL (INCLUDING ADHESIVE AGENT) IS SPECIFIED.

mat'l. code		surface ISO 1302 <input checked="" type="checkbox"/>		tolerance ISO 406 <input checked="" type="checkbox"/>		projection		product family 58EF		CODE JP	
ltr		ecn no		dr		date		title		RECOMMENDED CABLE	
A								(Cat. No. : SFV__R-1/2ST__LF)			
				angles		linear		mm		scale \propto	
				dr		2011-3-8		dwg no		sheet 8 of 9 size	
				enr		2011-3-8		10117738		A4	
				chr		2011-3-8		type		Product Customer Drawing	
				appd		Mar 8/11					
sheet index		revision sheet								Rev. A	



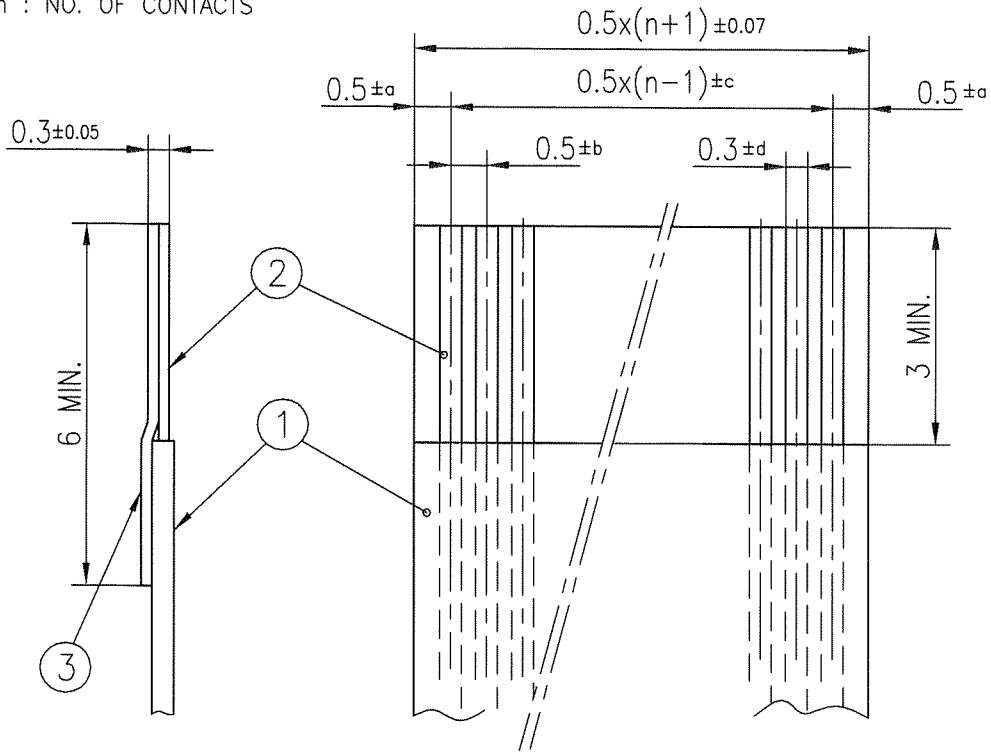
FCIconnect.com

Copyright FCI.



RECOMMENDED CABLE (FFC)

n : NO. OF CONTACTS



KIND OF FFC (NOTE3)	DIMENSIONAL TOLERANCE			
	a	b	c	d
1	±0.07	±0.04	±0.05	±0.02
2	±0.1	±0.03	±0.03	±0.025

PT. NO.	PARTS NAME	MATERIAL
1	INSULATOR	FLAME RESISTING POLYESTER OR EQUIVALENT
2	CONDUCTOR	COPPER FOIL (PLATING : GOLD)
3	SUPPORTING TAPE	FLAME RESISTING POLYESTER OR EQUIVALENT

NOTES

1. NO BURR AT EACH PORTION.
2. NO PEELING IN COMMON USE.
3. EITHER KIND1 OR KIND2 OF FFC CAN ACCEPT DIMENSIONAL TOLERANCE a,b,c AND d.

mat'l. code				surface ISO 1302 <input checked="" type="checkbox"/> tolerance ISO 406 <input checked="" type="checkbox"/> ISO 1101		projection		product family 58EF		CODE JP	
ltr A				ecn no		dr		date		title	
				angles		linear		mm		RECOMMENDED CABLE (Cat. No. : SFV__R-1/2ST__LF)	
				scale X		FCJ		dwg no 10117738		sheet 9 of 9 size A4	
sheet index				revision sheet		dr S. Nishida 2011-3-8		enr S. Nishida 2011-3-8		chr S. Nishida 2011-3-8	
						appd M. Nishida Mar 8/11		type Product Customer Drawing		Rev. A	