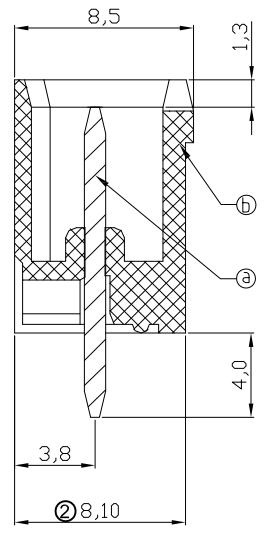
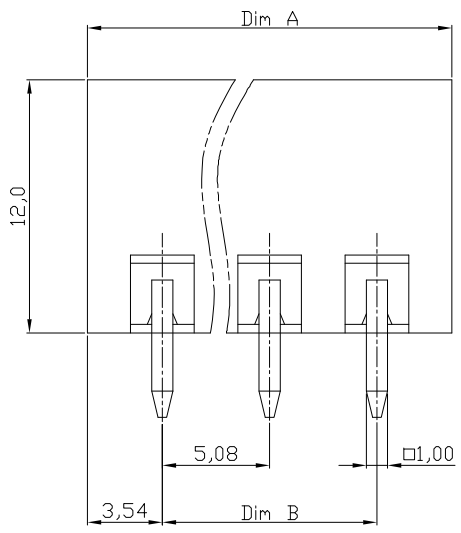


Recommended PCB Layout



Material

Item (a) Male contact pin: Copper Tin plated  
 Item (b) Terminal(housing): Thermoplastic (UL94V-0)  
 Green(RAL6018/T)

Electrical cULus/VDE/TUV

Voltage rating: 300V/300V/300V  
 Current rating: 20A/20A/20A  
 Withstanding Voltage: 1.6KV/2.5KV/2.5KV  
 Operating temperature: -40°C to +115°C  
 Soldering temperature: 260°C±5°C / 5 Sec  
 Safety Approval:

② Dimension

DIM A	Nx5.08+2
DIM B	(N-1)x5.08

N=Number of poles

Poles	Tolerance
2P-6P	±0.15
7P-12P	±0.20
13P-18P	±0.30
19P-24P	±0.40

**RoHS compliant**  
 Unit: mm

Scale	Free					Date	Name	Customer-No.
TOLERANCE						Drawn	04.05.2009	Dean
X.	±0.50					Approved	09.01.2015	Amy
X.X	±0.30							
X.XX	±0.10							
DIM	TOL	②	Update	09.01.2015	Amy			
X.°	±1°	①	Drawn	04.05.2009	Dean			
Angle	TOL	Id.	Modification	Date	Name	Replace	Sheet	

ASSMANN WSW-No.  
**A-TB508-OQxxCV**

Drawing-No.  
**ASS 3502 CO** rev02  
 Sheet