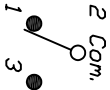


RECOMMENDED PCB LAYOUT

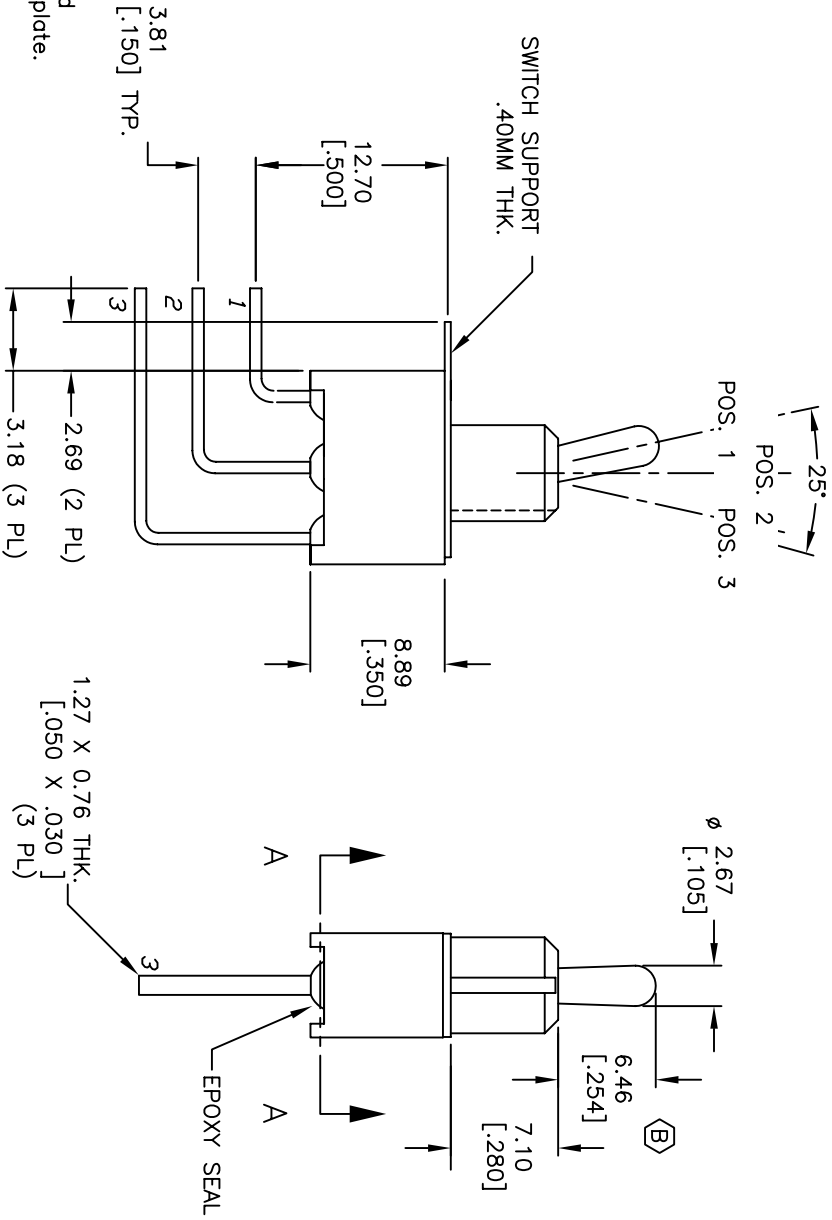
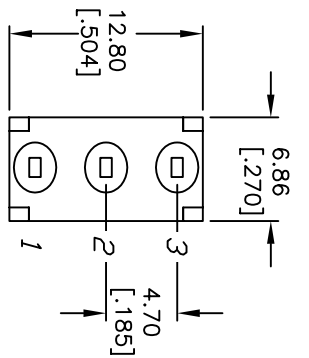
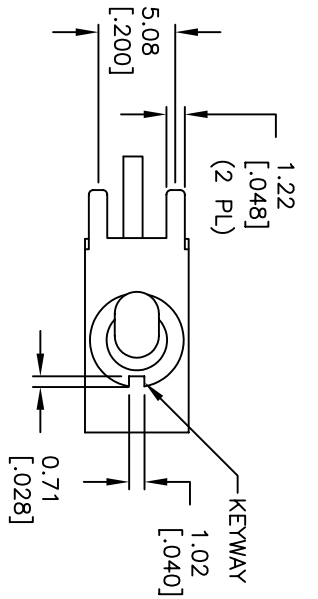


SPDT CIRCUIT
CONTACT CONFIGURATION

SWITCH FUNCTION		
PDS. 1	PDS. 2	PDS. 3
DN	DIFF	(DN)
2-3	OPEN	2-1

NOTES:

1. ALL DIMENSIONS IN MM
2. GENERAL TOLERANCE: X.X=±0.4
X.XX=±0.25
3. TERMINAL NUMBERS FOR REF ONLY
4. RATING: 0.4(VA) Max. @20V (AC or DC)
5. FIXED TERM. & MOVING CONTACT: Cu Alloy w/Gold plate over Ni plate.
6. ELECTRIC LIFE: 40,000 make-and-break cycles at full load.
7. INSULATION RESISTANCE: 1,000 Mega-ohm min.
8. DIELECTRIC STRENGTH: 1,000 V RMS @sea level.
9. OPERATING TEMP.: -30°C to 85°C



C	15393	EDIT TERM LENGTH, NOTE 6	10/17/05	PH
B	14044	ACTUATOR HEIGHT	5/27/04	AR
A	11523	RELEASED FOR PRODUCTION	6/01/01	CB
REV.	ECN No.	DESCRIPTION	DATE	CHKD

TITLE	100 SP-5 T2 B4 M7 R E	SCALE	2:1	DATE	6/1/01	DR	CB	DWG	T115016	REV	C
-------	-----------------------	-------	-----	------	--------	----	----	-----	---------	-----	---

E-SWITCH®

THE INFORMATION CONTAINED IN THIS DOCUMENT IS PROPRIETARY TO E-SWITCH AND IS NOT TO BE COPIED OR TRANSMITTED