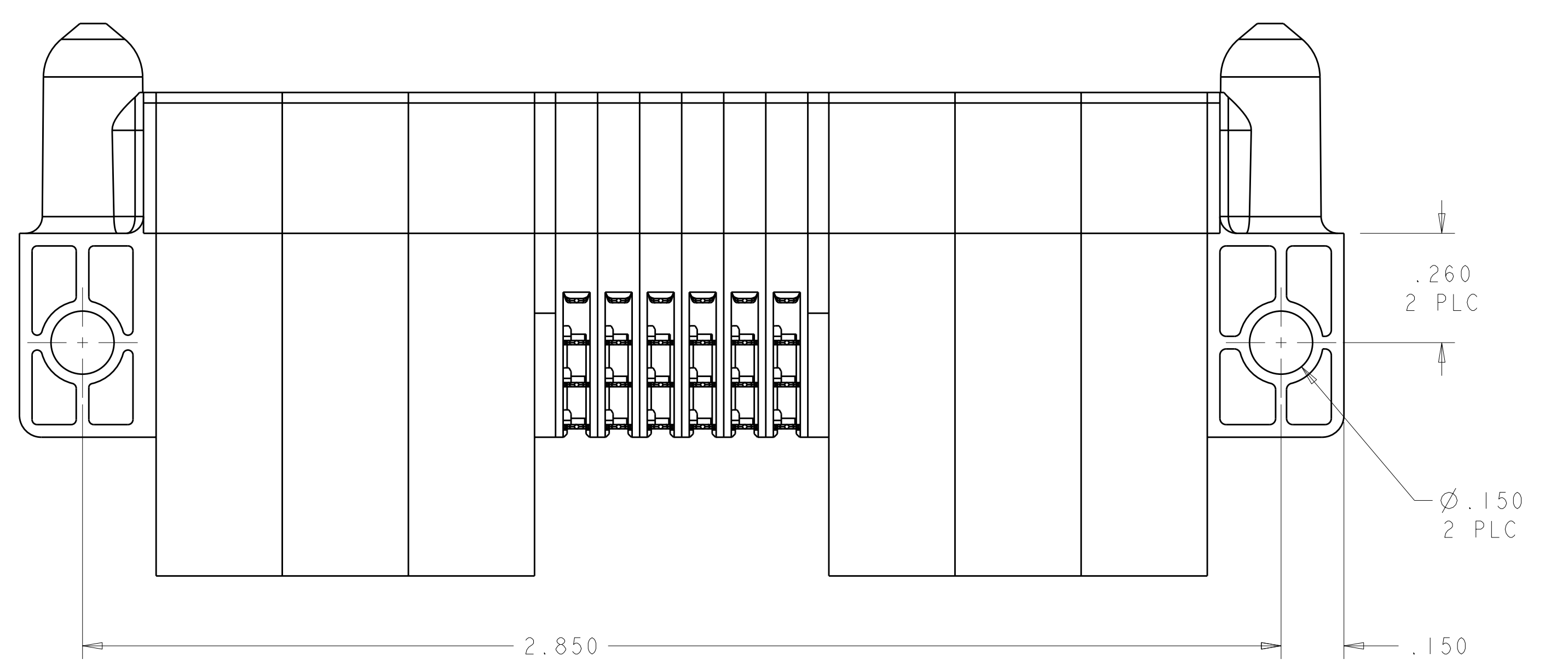
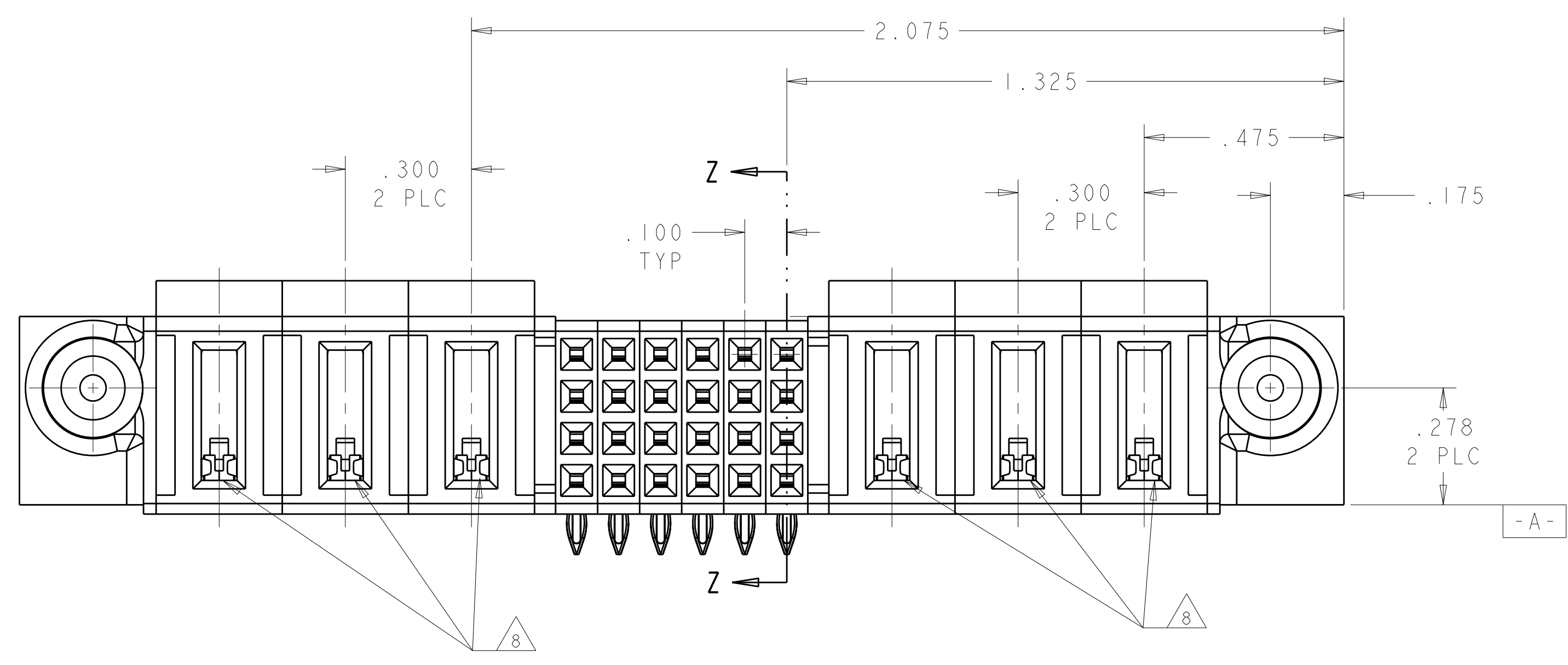
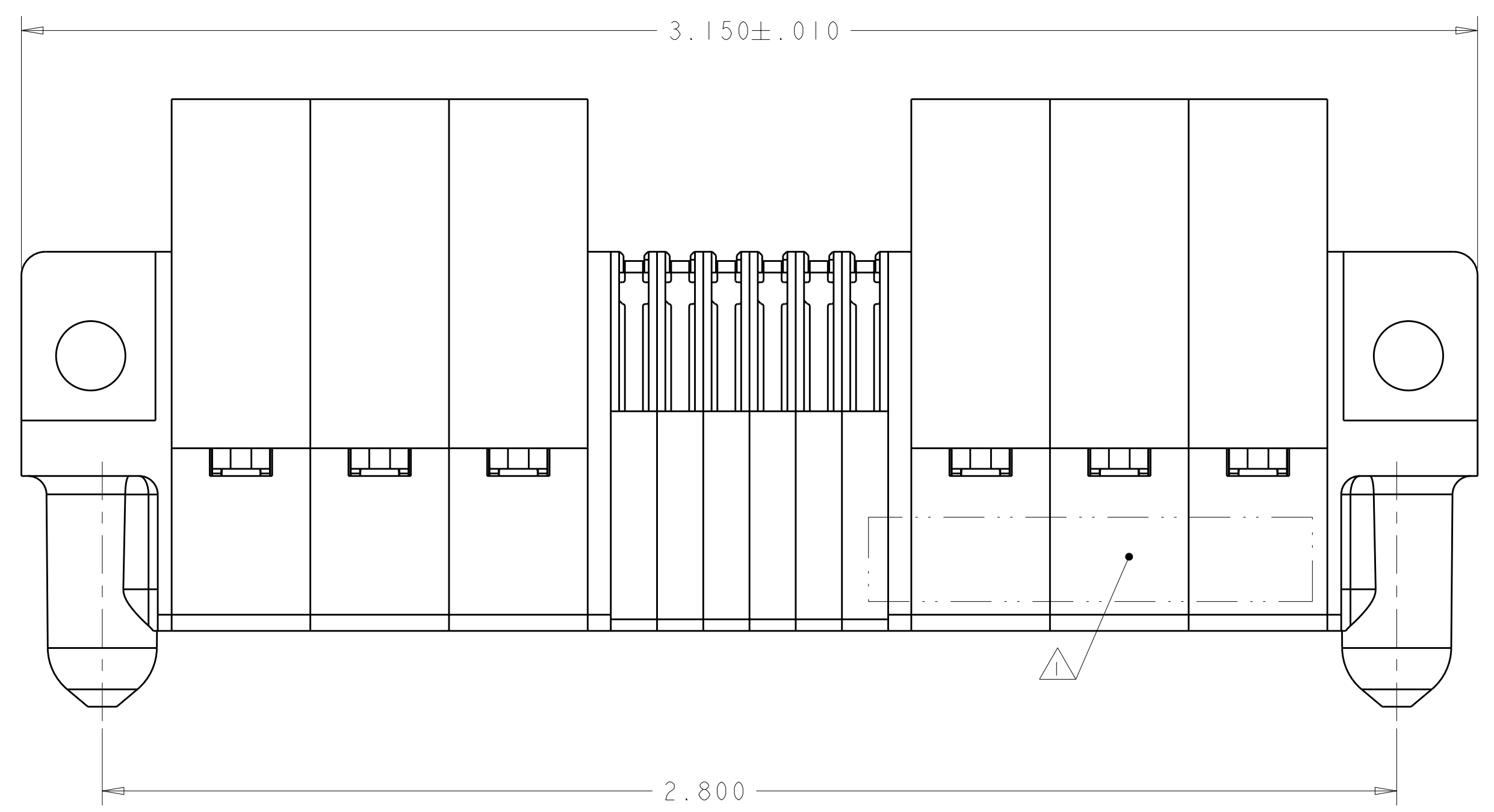
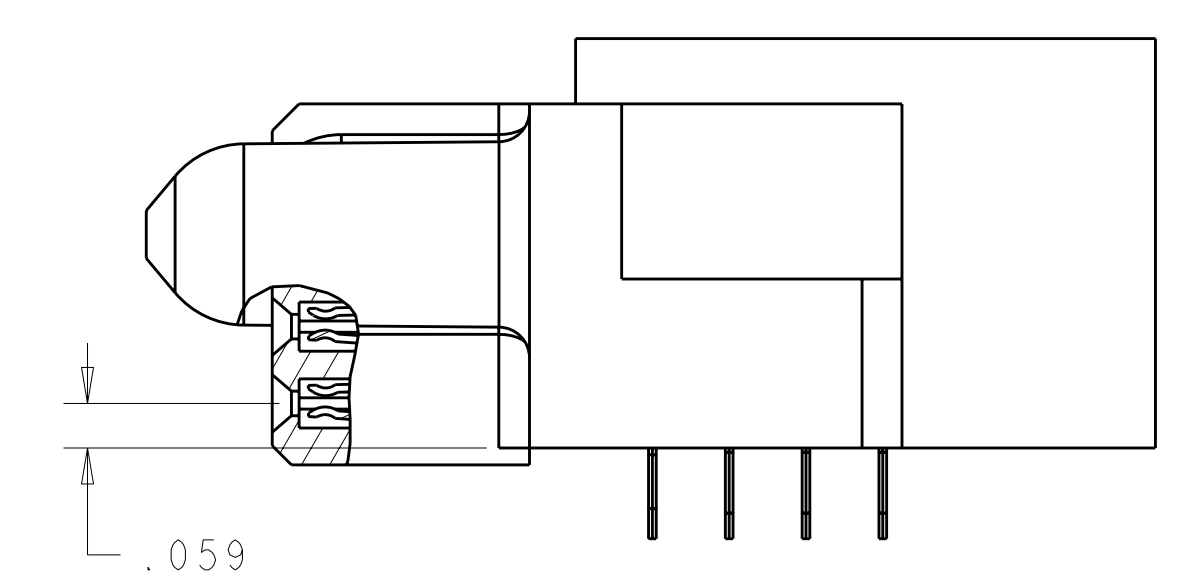
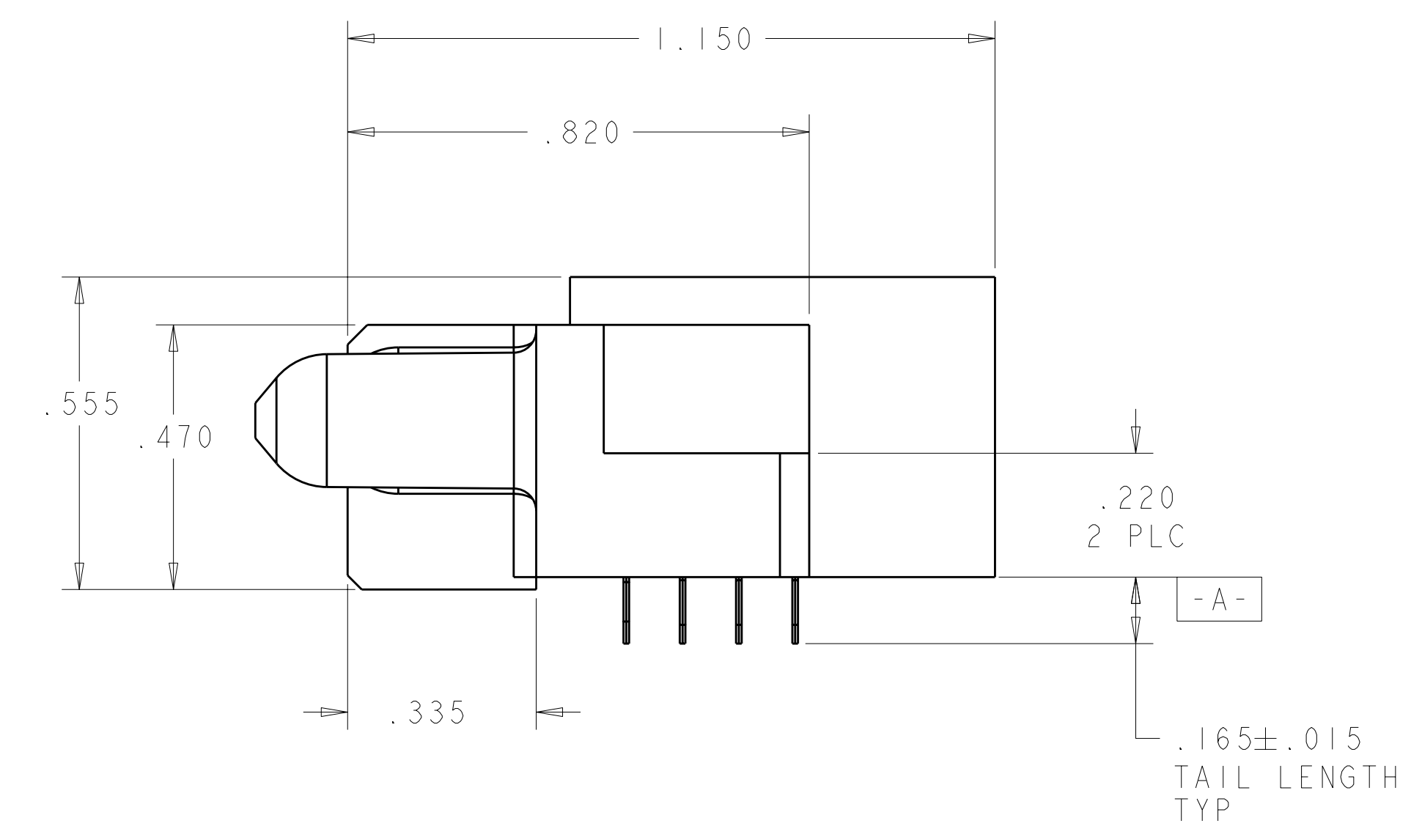


| LOC | DIST | REV | DATE     | BY | APPD |
|-----|------|-----|----------|----|------|
| ES  | 00   | A   | 6AUG2007 | DZ | SY   |



- △ "AMP", PART NUMBER AND DATE CODE TO BE MARKED
- △ MATERIAL: HOUSING - GLASS FILLED HIGH TEMP THERMO PLASTIC, UL94 V-0, BLACK.  
SIGNAL CONTACT - HIGH CONDUCTIVITY COPPER ALLOY
- △ CONTACT PLATING: SIGNAL CONTACTS - .000050 MIN Ni UNDER ALL.  
.000030 MIN Au ON CONTACT AREA  
.000100 MIN Sn AT PCB INTERFACE.
- △ MECHANICAL CONNECTOR KEEP OUT ZONE.
- △ DATUM AND BASIC DIMENSIONS ESTABLISHED BY CUSTOMER.
- △ PCB - ALL HOLE DIAMETERS ARE FINISHED HOLE SIZES
- △ PCB - .0453±.0010 DRILLED HOLES PLATED WITH .0003 MIN Sn  
OVER .001 TO .003 Cu PLATING TO ACHIEVE A .040 DIAMETER HOLE
- △ A/C POWER CABLE CONTACT LOADED IN THESE CAVITIES.



SECTION Z-Z

|   |  |   |
|---|--|---|
| 3ACP + 24S + 3ACP   |  | 1888179-1   |
| DESCRIPTION   |  | PART NUMBER   |
| Tyco Electronics Corporation<br>ShangHai, P.R.China, 200233   |  |   |
| DIMENSIONS: INCHES<br>TOLERANCES UNLESS OTHERWISE SPECIFIED:<br>9 PLC ±.01<br>5 PLC ±.005<br>4 PLC ±.0020 #2<br>ANGLES #2 |  | DWN: D. ZHU<br>CHK: S. ZHAO<br>APVD: S. YAO<br>PRODUCT SPEC: 108-1973<br>APPLICATION SPEC: 114-13038<br>WEIGHT: -<br>CUSTOMER DRAWING |
| NAME: RIGHT ANGLE RECEPTACLE ASSEMBLY<br>A/C PASS THRU W/GUIDES<br>MULTI-BEAM XL  |  | SIZE: A<br>CAGE CODE: 00779<br>DRAWING NO: C=1888179<br>SCALE: 4:1<br>SHEET: 1 OF 2<br>REV: A   |

