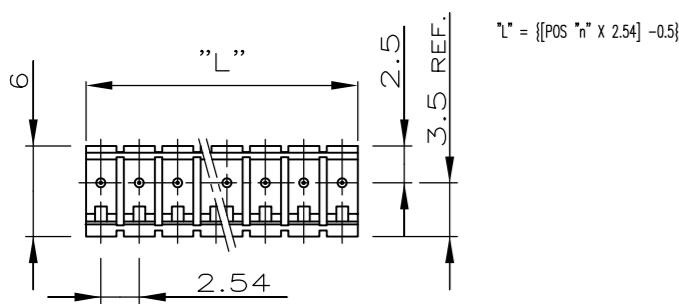


THIS DRAWING IS UNPUBLISHED. RELEASED FOR PUBLICATION  
 © COPYRIGHT - By - ALL RIGHTS RESERVED.

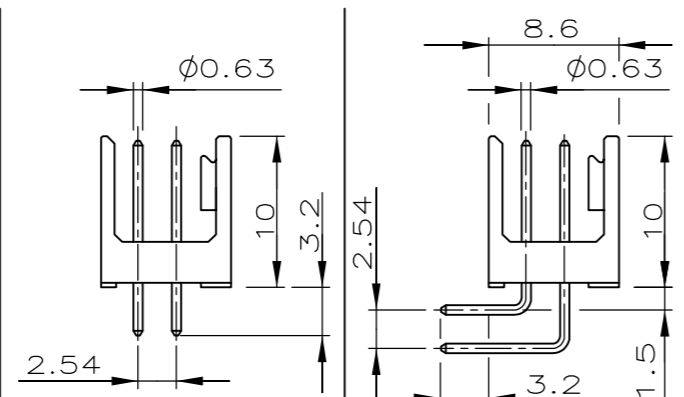
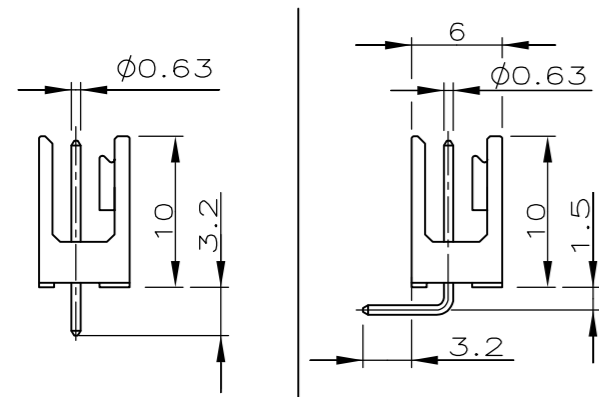
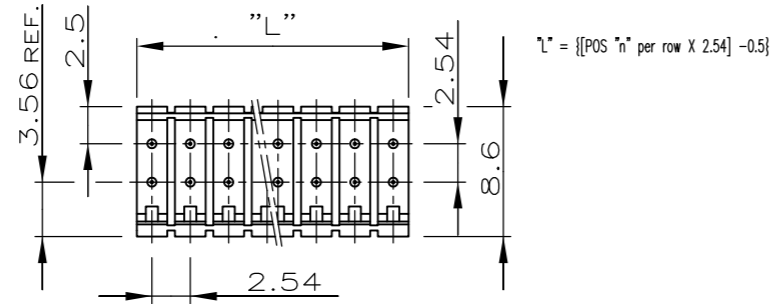
# MODU II SHROUDED POSTS

## MODU II Stiftleiste

SINGLE ROW 3 TO 50 POS.  
Einreihig 3 bis 50 pol.



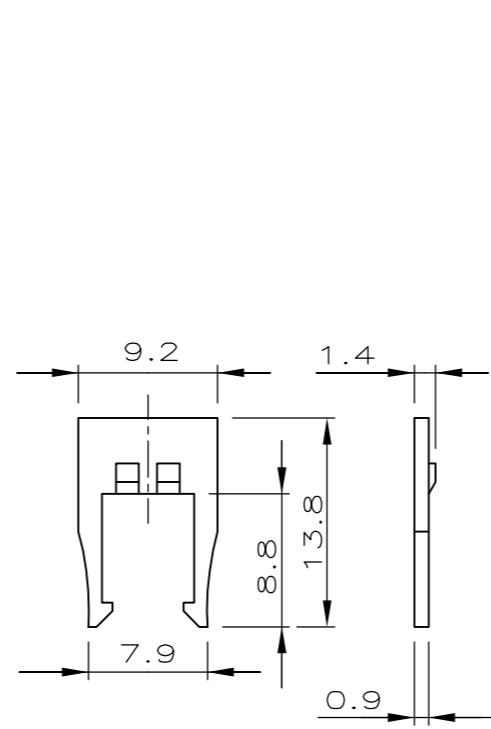
DOUBLE ROW 2x3 TO 2x50 POS.  
Zweireihig 2x3 bis 2x50 pol.



POS.	PART NUMBERS	PART NUMBERS	POS.	PART NUMBERS	PART NUMBERS
3 (2) TO 50	△ 826 467-3 BIS	△ 826 468-3 BIS	2x3 TO 2x50	△ 826 469-3 BIS	△ 826 470-2 BIS
	5-826 467-0 △	5-826 468-0		5-826 469-0	5-826 470-0
	△ 827 295-2 BIS	△ 827 296-3 BIS		△ 827 297-3 BIS	△ 827 298-3 BIS
	5-827 295-0 △	5-827 296-0 △		5-827 297-0 △	5-827 298-0 △

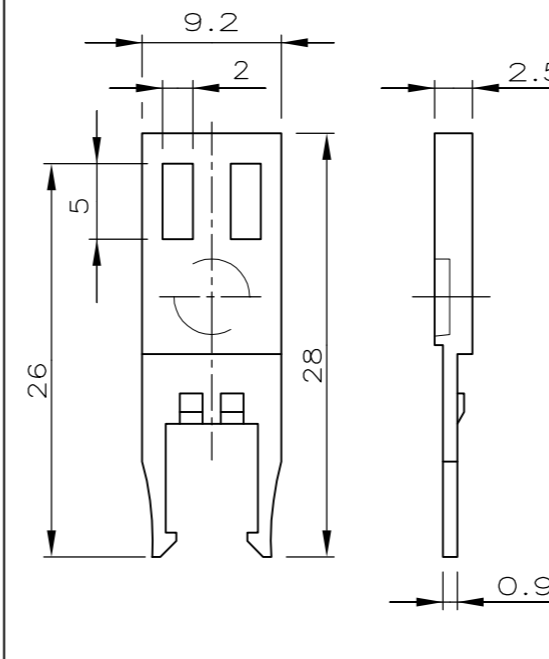
## RETENTION PLUG

Rastgabel



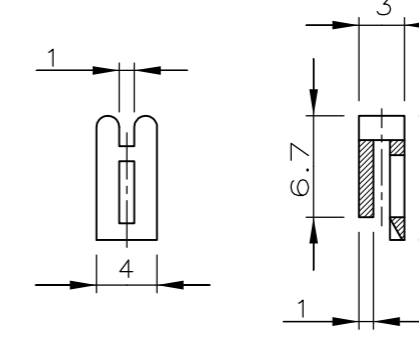
## RETENTION PLUG WITH STRAIN RELIEF

Rastgabel mit Zugentlastung



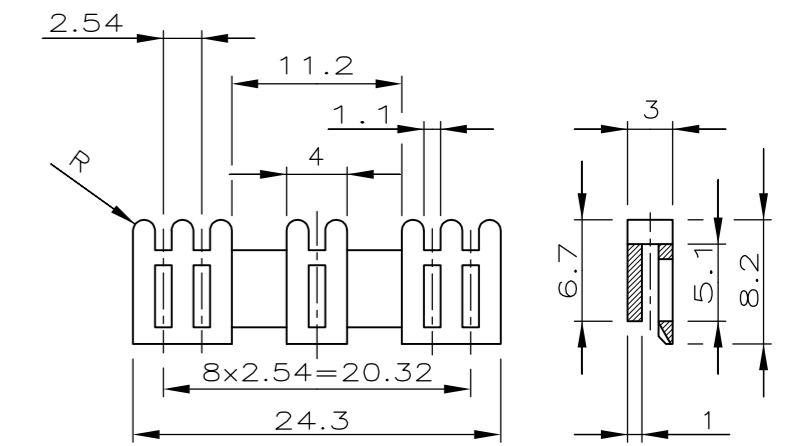
## KEYING PLUG

Kodierstift



## KEYING BLOCK

Kodierblock

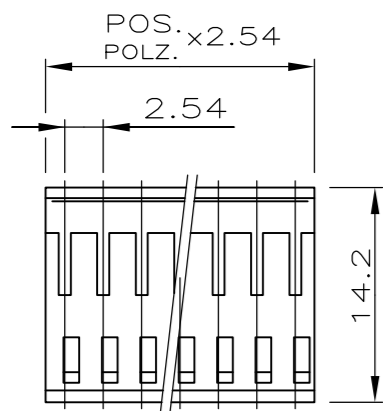


LOC	DIST	REVISIONS			
P	LTR	DESCRIPTION	DATE	DWN	APVD
AI	-	W7 LENGTH "L" CORRECTION FOR MODU II SHROUDED POSTS	21OCT11	MHM	RP

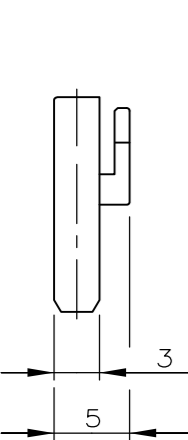
ZEICHNUNG GÜLTIG AB KW 11/95

## MODU IV RECEPTACLE HOUSING

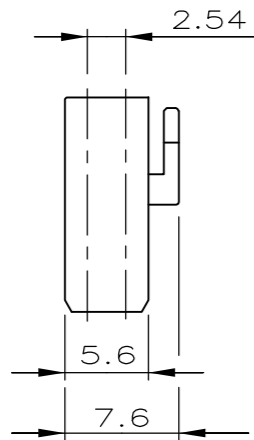
MODU IV Buchsengehäuse



SINGLE ROW 2 TO 36 POS.  
Einreihig 2 bis 36 polig.

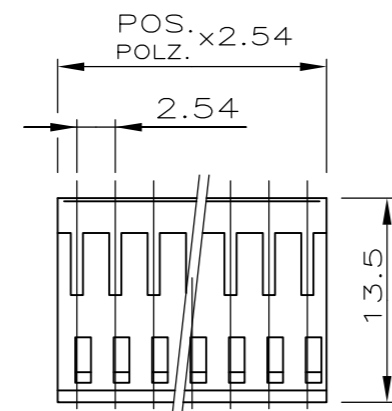


DOUBLE ROW 2x2 TO 2x36 POS.  
Zweireihig 2x2 bis 2x36 polig

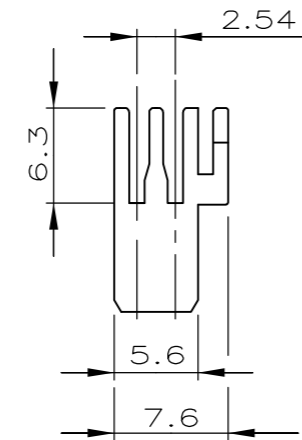


## FFC HOUSING

FFC Gehäuse



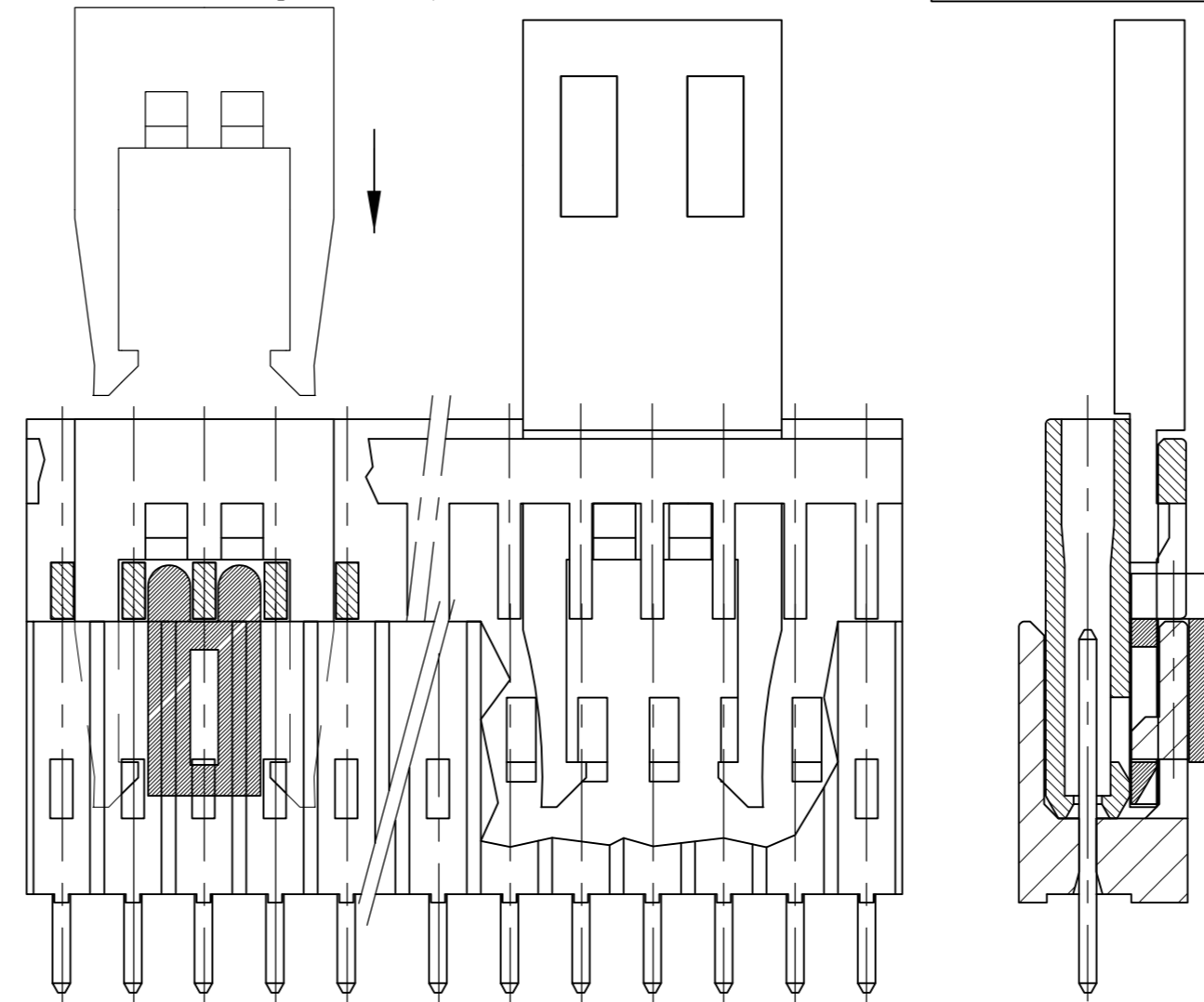
DOUBLE ROW 2x3 TO 2x13 POS.  
Zweireihig 2x3 bis 2x13 polig



POS.	PART NUMBERS	POS.	PART NUMBERS	POS.	PART NUMBERS
2 TO 36	926 475-2	2x2 TO 2x36	926 476-2	2x3 TO 2x13	927 009-3 △
	3-926 475-6		3-926 476-6		1-927 009-3 △

## ASSEMBLED COMPONENTS (FOR EXAMPLE)

Anwendungsbeispiel



△ CONTACTPIN/Kontaktstift: CuZn  
 PLATING MATING AREA:  
 0.1µm Au OVER 0.7µm Pd-ALLOY OVER 1.27µm Ni  
 Oberfläche Steckbereich:  
 0.1µm Au über 0.7µm Pd-Legierung über 1.27µm Ni  
 SOLDER SIDE: 2.0µm Sn OVER 1.27µm Ni  
 Lötseite: 2.0µm Sn über 1.27µm Ni

△ CONTACTPIN/Kontaktstift: CuSn  
 PRE TIN PLATED MIN. 2.0µm Sn OVER 1.27µm Ni (PIN TIPS BLANK)  
 Vorverzinnt min. 2.0µm Sn über 1.27µm Ni (Stiftspitzen blank)

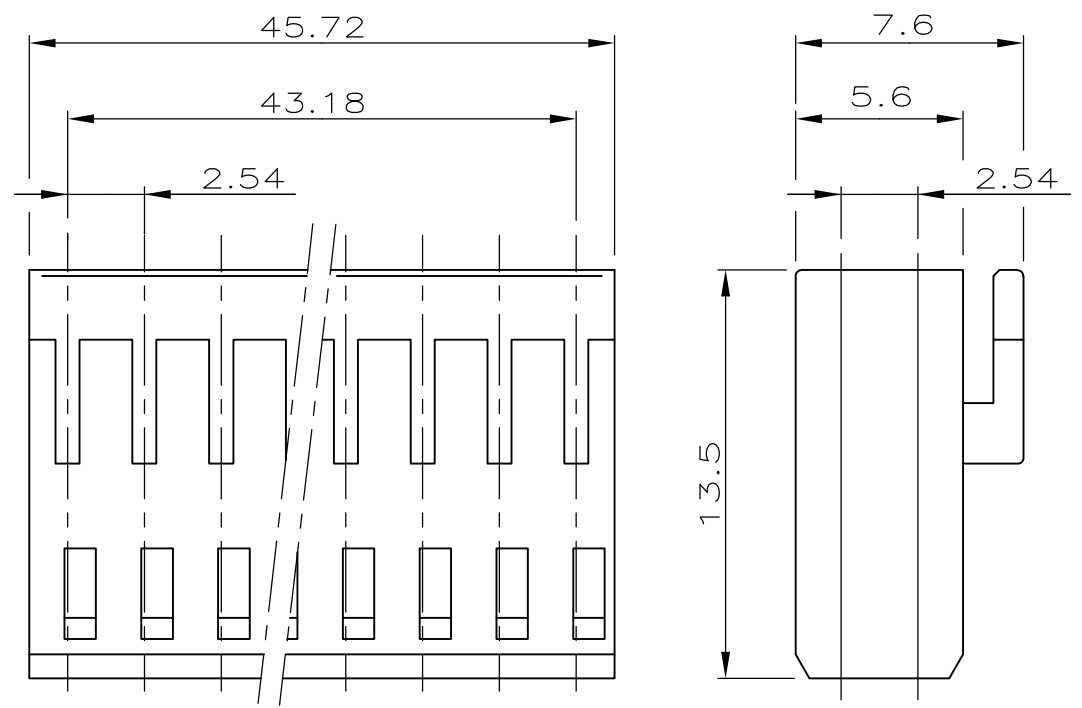
MATERIAL:  
 PIN HEADER  
 Stiftgehäuse PCT-GV BLACK/schwarz  
 RECEPTACLE HOUSING PBT-GV BLACK/schwarz  
 Buchsengehäuse  
 RETENTION PLUGS PC-GV  
 Rastgabeln  
 KEYING PLUG AND BLOCK  
 Kodierstift, -block PA 6.6 GV  
 FFC HOUSING  
 FFC Gehäuse PBT-GV BLACK/schwarz

△ OBSOLETE PARTS  
 △ OBSOLETE PARTS: OBSOLETE CIS STREAMLINING PER D.RENAUD/D.SINISI

DIMENSIONS:		TOLERANCES UNLESS OTHERWISE SPECIFIED:		APVD		NAME	
mm		±0.2mm		-		-	
0 PLC	±	-	-	PRODUCT SPEC	-	SIZE	A2
1 PLC	±	-	-	APPLICATION SPEC	-	CAGE CODE	00779
2 PLC	±	-	-	WEIGHT	-	DRAWING NO	C=826467
3 PLC	±	-	-	CUSTOMER DRAWING	-	RESTRICTED TO	-
4 PLC	±	-	-	SCALE	2:1	SHEET	1 of 2
ANGLES	±	-	-	REV	W7		
FINISH	-						

THIS DRAWING IS UNPUBLISHED. RELEASED FOR PUBLICATION  
 © COPYRIGHT - By - ALL RIGHTS RESERVED.

LOC	DIST	REVISIONS			
P	LTR	DESCRIPTION	DATE	DWN	APVD
		SEE SHEET 1	-	-	-



PN 6-926476-8  
 2x18 POS. AMPMODU IV RECEPTACLE HOUSING  
 2x18 POL. AMPMODU IV BUCHSENGEHÄUSE

PACKAGING  
 Verpackung

PART NUMBER 5-8264667-3 INCLUDING 75 PCS. OF PN 826467-3  
 PACKED IN PLASTIC BOX (78mm x 78mm x 45mm)  
 FOR TE-HARRISBURG ONLY

Bestell- Nummer 5-826467-3 enthält 75 Stk. PN 826467-3  
 verpackt in Kunststoffschachtel (78mm x 78mm x 45mm)  
 nur für TE-Harrisburg

ZEICHNUNG GÜLTIG AB KW 1.1./95

THIS DRAWING IS A CONTROLLED DOCUMENT.		DWN	M.SCHAARSCHMIDT	27.09.85
DIMENSIONS: mm		CHK	W.MORITZ	30.09.85
TOLERANCES UNLESS OTHERWISE SPECIFIED: ±0.2mm		APVD	-	-
0 PLC ± -		PRODUCT SPEC	-	
1 PLC ± -		APPLICATION SPEC	-	
2 PLC ± -		WEIGHT	-	
3 PLC ± -		CUSTOMER DRAWING		
4 PLC ± -		SCALE	4:1	
ANGLES ± -		SHEET	2 OF 2	
MATERIAL -		FINISH -	SIZE	A3
			CAGE CODE	00779
			DRAWING NO	C-826467
			RESTRICTED TO	-
			REV	W7



AMPMODU II/AMPMODU IV  
 SPECIAL PERFORMANCE  
 SONDERAUSFUEHRUNG