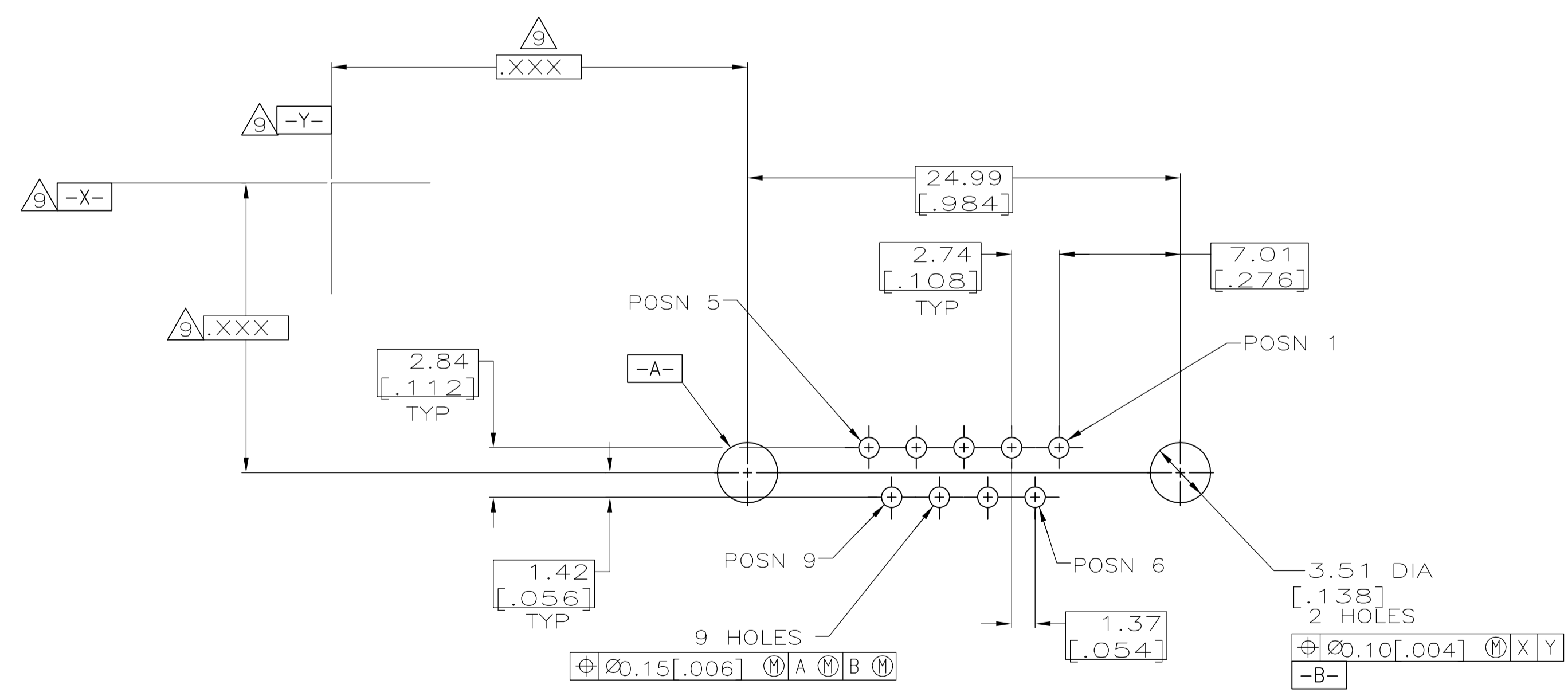
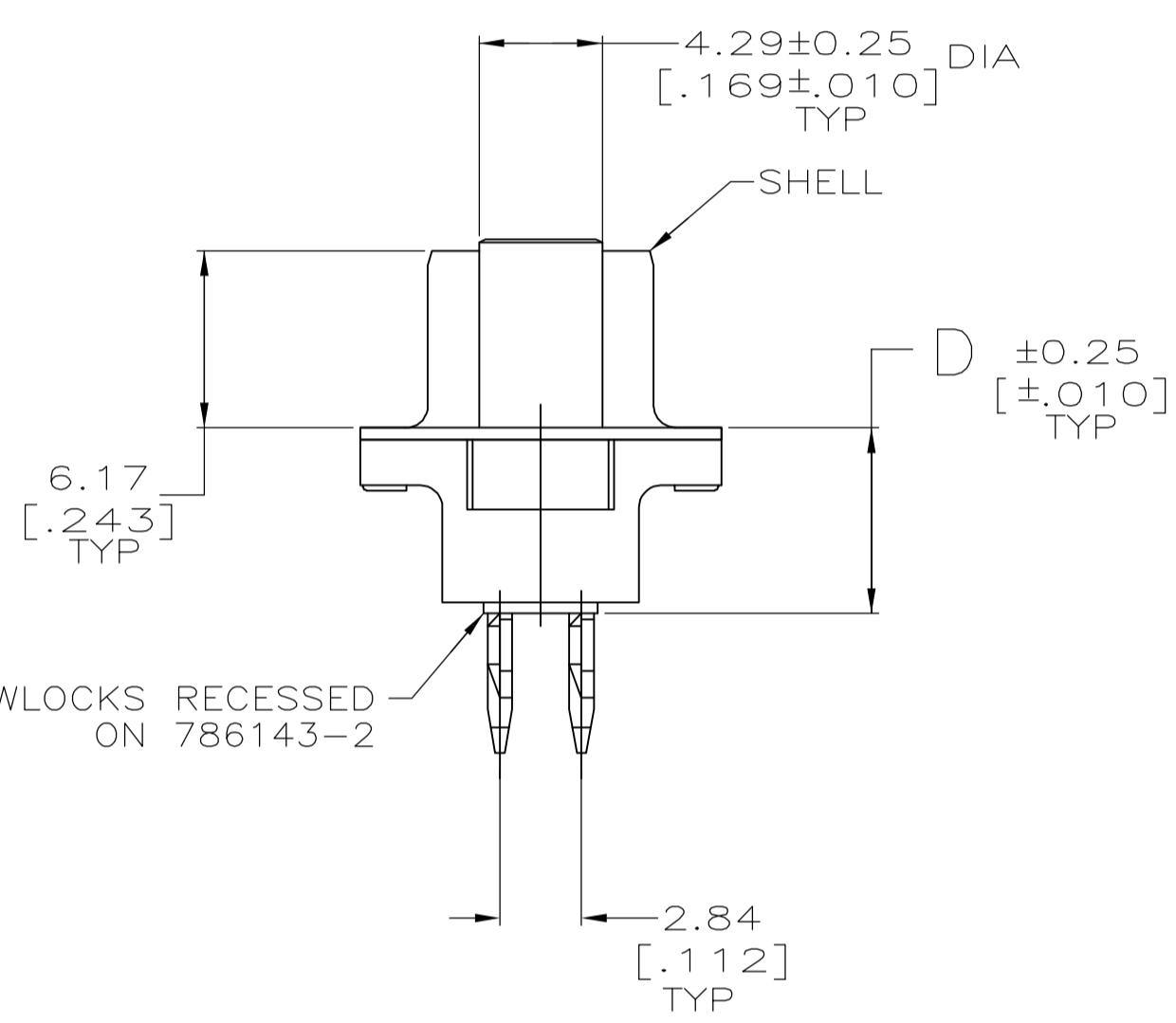
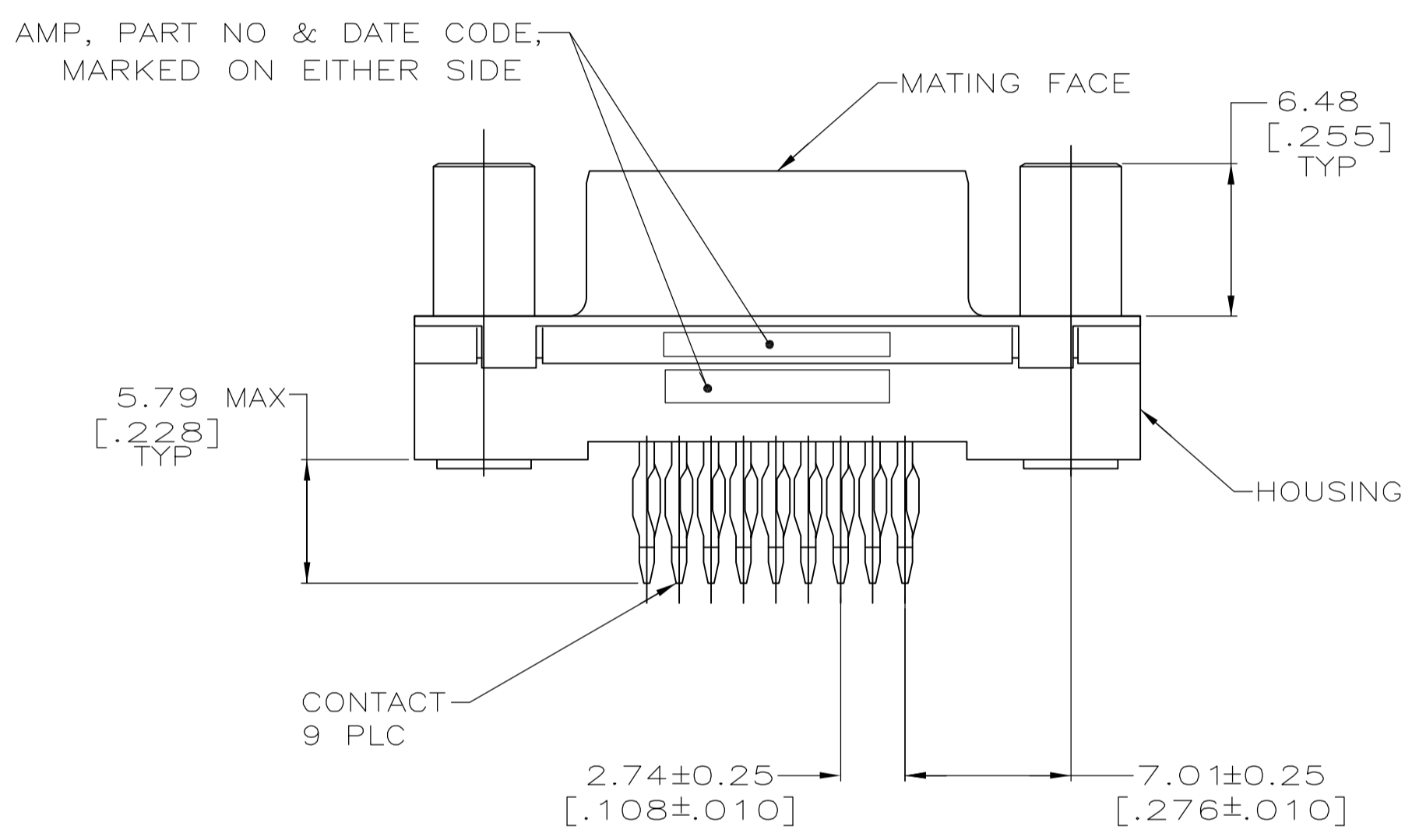


- 1 RECOMMENDATIONS FOR 2.36 [.093] MIN THICK PC BOARD:
 - A. HOLE DIAMETER AFTER DRILLING = 1.14±0.03 [.045±.001].
 - B. HOLE DIAMETER AFTER TIN-LEAD PLATING = 0.94-1.09 [.037-.043].
 - C. HOLE DIAMETER AFTER REFLOW = 0.91-1.09 [.036-.043].
 - D. PC BOARD PLATING TO BE 7.62µm [.000300] MIN TIN-LEAD OVER 0.05±0.03 [.002±.001] COPPER.
- 2 NYLON OR POLYESTER, UL 94V-0 RATED, GLASS FILLED, BLACK.
- 3 COPPER ALLOY.
- 4 CARBON STEEL.
- 5 BRASS.
- 6 OBSOLETE
- 7 SHELL: 5.08 µm [.000200] MIN TIN-LEAD OVER 2.54µm [.000100] MIN COPPER.
- 8 CONTACTS: 0.76 µm [.000030] MIN GOLD FOR A LENGTH OF 1.02 [.040] MIN FROM MATING END, 2.54µm [.000100] MIN TIN OR TIN-LEAD FOR A LENGTH OF 5.79 [.228] MIN FROM OPPOSITE END, BOTH OVER 1.27µm [.000050] MIN NICKEL.
- 9 DATUMS AND BASIC DIMENSIONS ESTABLISHED BY CUSTOMERS.



| | |
|-------------|-------------|
| 5.99 [.236] | 786143-2 |
| 6.48 [.255] | 786143-1 |
| D | PART NUMBER |

RECOMMENDED PC BOARD MOUNTING DIMENSIONS
 CONNECTOR SIDE OF BOARD

91-4913-8-1-1
 PART NO

| | | | |
|--|--|------------------------|--|
| THIS DRAWING IS A CONTROLLED DOCUMENT. | | DIN C. OBERMAN 1-31-92 | Tyco Electronics Corporation Harrisburg, PA 17105-3608 |
| DIMENSIONS: mm [INCHES] | | CHK R. STONE 2-4-92 | |
| TOLERANCES UNLESS OTHERWISE SPECIFIED: | | APVD - | RECEPTACLE ASSEMBLY, SIZE 1, 9 POSITION, ACTION PIN, VERTICAL, FRONT METAL SHELL |
| 0 PLC ± - | | PRODUCT SPEC 108-40014 | |
| 1 PLC ± - | | APPLICATION SPEC - | SIZE A1 |
| 2 PLC ± 0.13 [.005] | | WEIGHT - | CAGE CODE DRAWING NO 00779 |
| 3 PLC ± - | | RESTRICTED TO - | SCALE 4:1 SHEET 1 OF 1 REV E |
| 4 PLC ± - | | CUSTOMER DRAWING | |
| ANGLES ± - ° | | | |
| MATERIAL FINISH | | | |