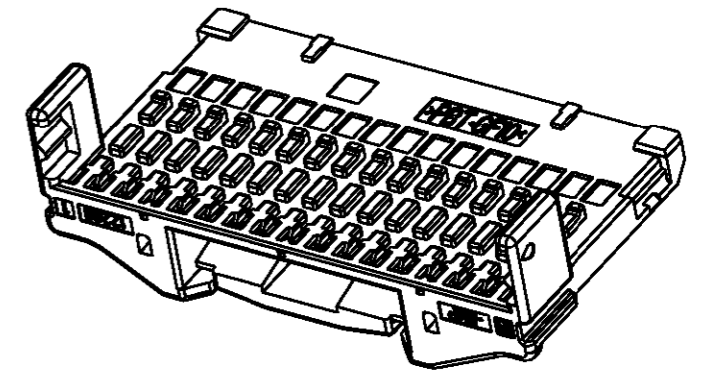
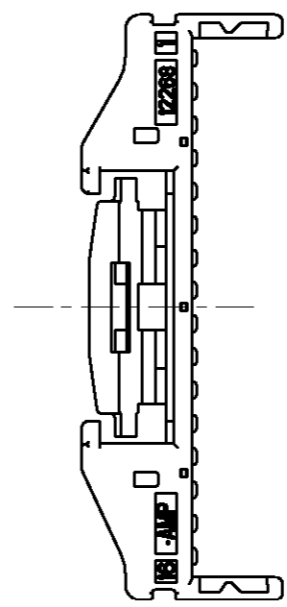
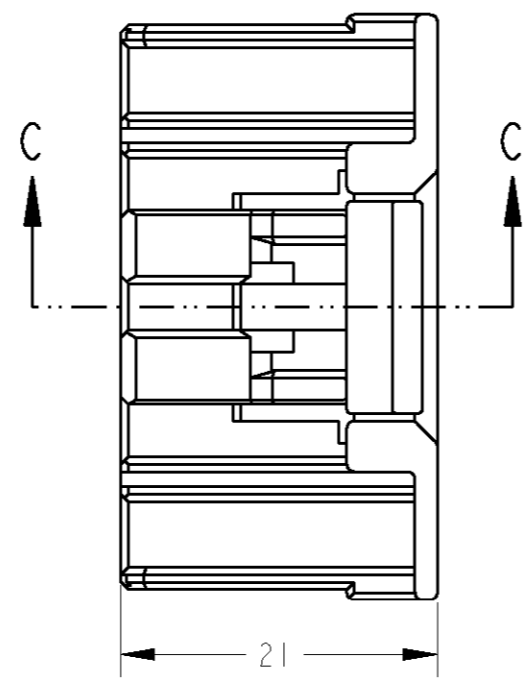
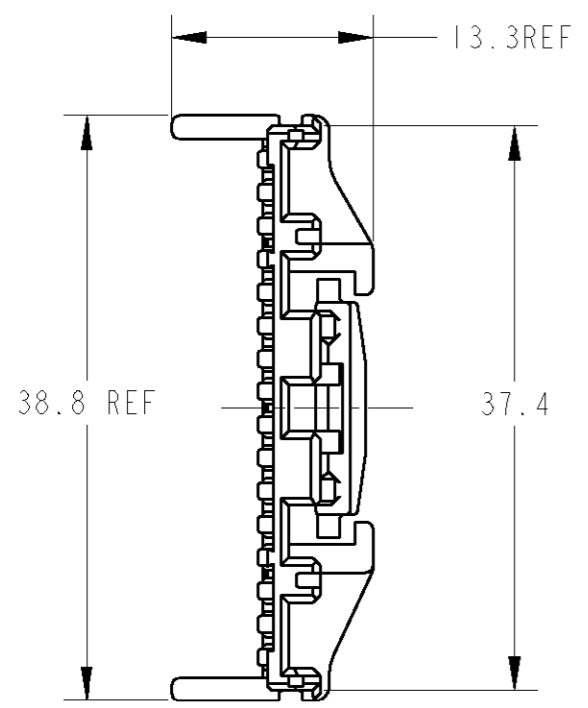
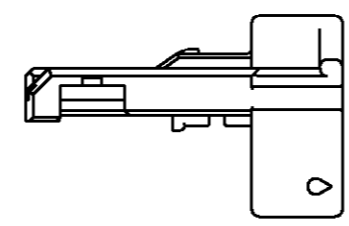
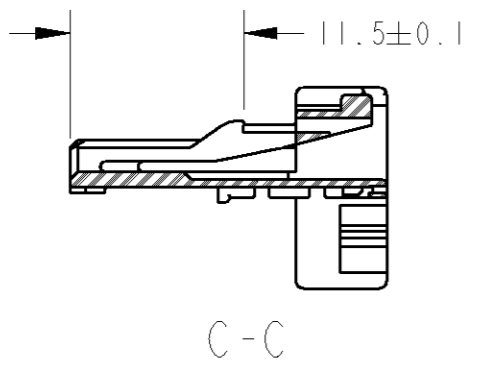


THIS DRAWING IS UNPUBLISHED. RELEASED FOR PUBLICATION 20
 © COPYRIGHT 20 BY TYCO ELECTRONICS CORPORATION. ALL RIGHTS RESERVED.

LOC	DIST	REVISIONS						
		P	LTR	DESCRIPTION	ECN	DATE	DWN	APVD
J		0		RELEASED	FJ00-2067-01	10OCT01	SA	NS



SCALE 2:1



- 1. 本品はプラグハウジング型番 1473805を装着して使用する。
- 2. 取扱説明書; 411-5912
- 3. 嵌合相手型番; 1473799, 1318745

- 1. PLUG HOUSING MUST BE USED WITH LOCK HOUSING P/N: 1473805
- 2. INSTRUCTION SHEET No; 411-5912
- 3. PART NUMBER OF HOUSINGS TO BE MATED ; 1473799, 1318745

NATURAL	1473806-1
HOUSING COLOR	PART NUMBER

THIS DRAWING IS A CONTROLLED DOCUMENT FOR TYCO ELECTRONICS CORPORATION IT IS SUBJECT TO CHANGE AND THE CONTROLLING ENGINEERING ORGANIZATION SHOULD BE CONTACTED FOR THE LATEST REVISION.		DWN	S. AMEMIYA	10OCT2001	Tyco Electronics AMP K.K. Kawasaki, Japan						
DIMENSIONS: 単位: 概 mm		CHR	N. SAI	10OCT2001							
TOLERANCES UNLESS OTHERWISE SPECIFIED: 一般公差; ±0.3		APVD	N. SAI	10OCT2001							
0-PLC ± 1-PLC ±0.1 2-PLC ±0.01 3-PLC ±0.001 4-PLC ±0.0001 ANGLES ±3' 00"		PRODUCT SPEC	108-5660		NAME 名称 32POSITION LOCK HOUSING 025 IDC CONNECTOR						
MATERIAL 材料 PBT		APPLICATION SPEC	114-5276								
FINISH 仕上 SEE TABLE		WEIGHT	2.4g		SIZE	A3	CAGE CODE	00779	DRAWING NO 番号	C=1473806	RESTRICTED TO
CUSTOMER DRAWING		SCALE 尺度		2:1	SHEET		1	OF	1	REV	0