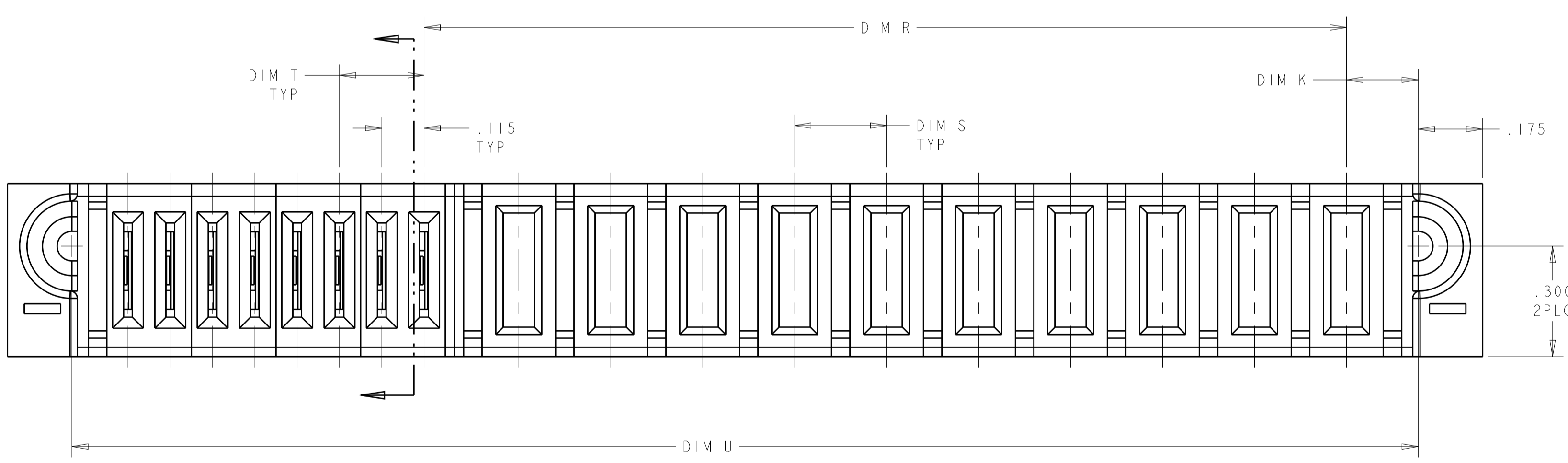
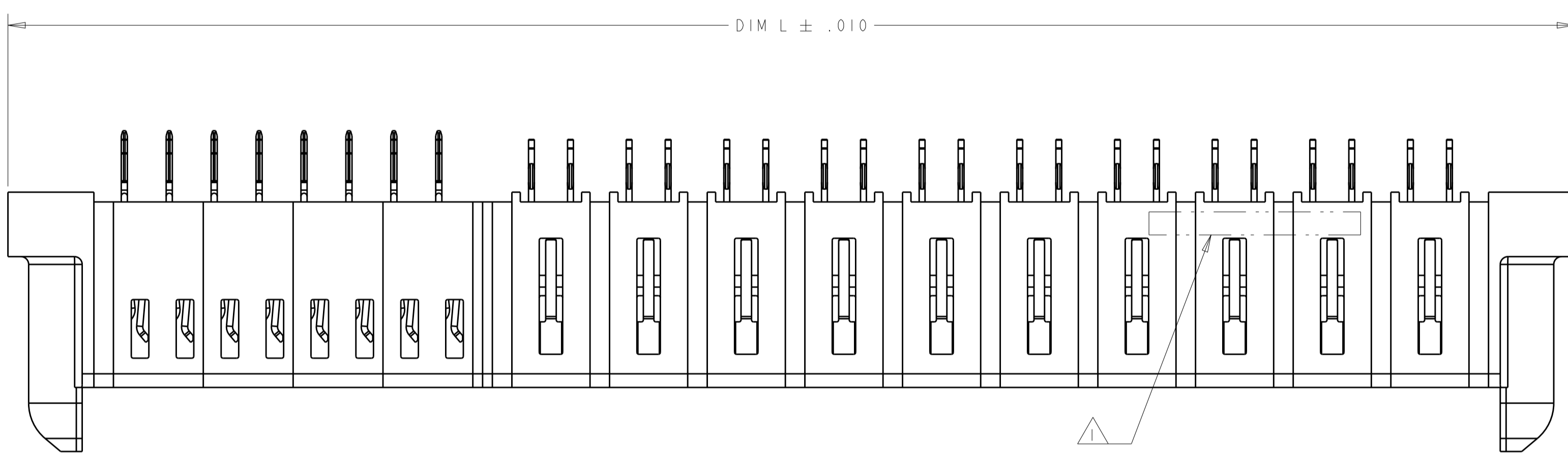
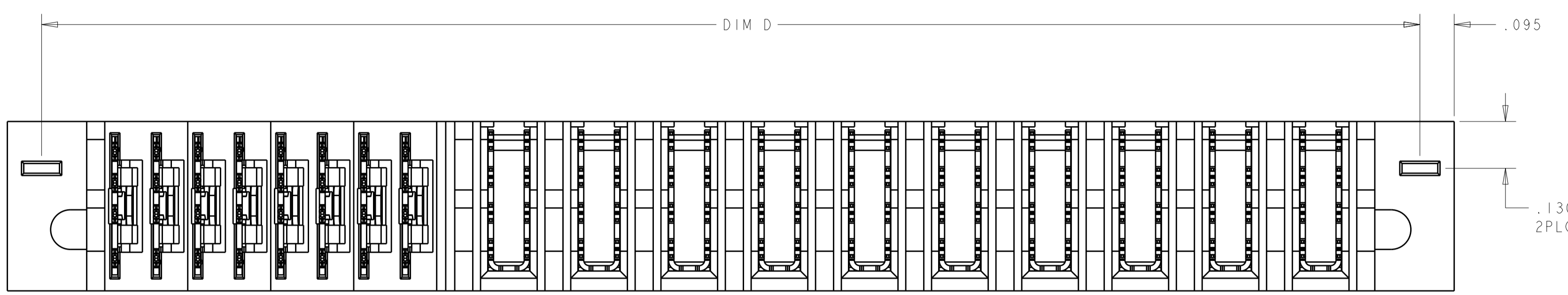
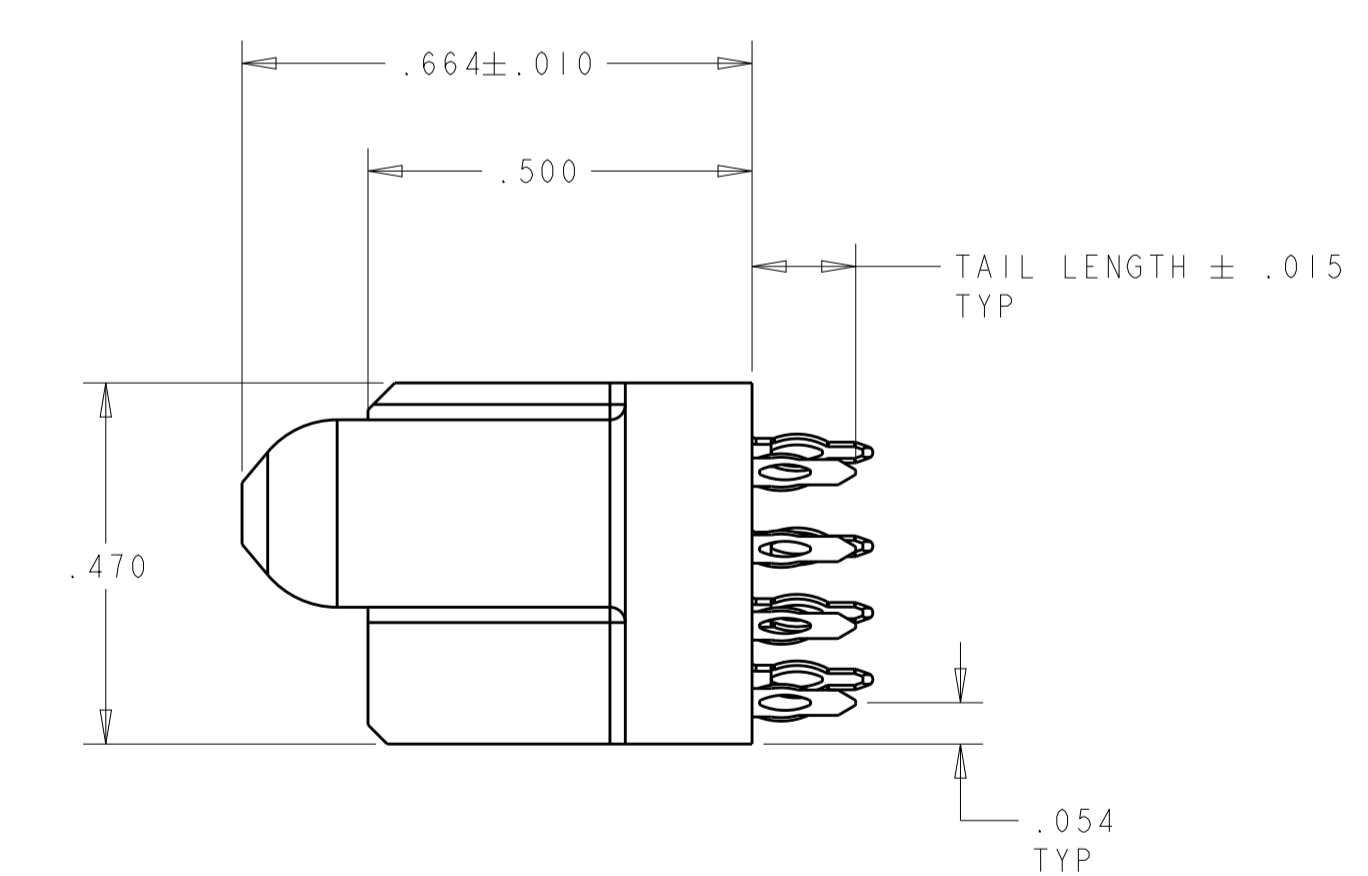
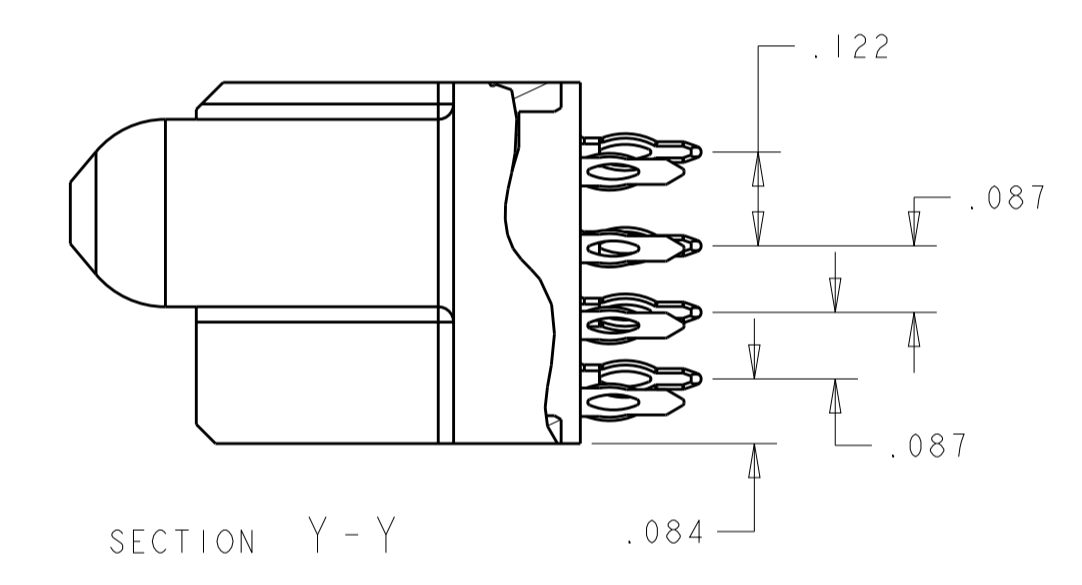


LOC		DIST		REVISIONS			
ES	00	P	LTN	DESCRIPTION	DATE	DWN	APVD
		B3		REV PER ECR-11-012858	16JUN2011	AY	SZ
		B4		ADDED NEW DASH NUMBER -9	04SEP2012	CZ	SZ
		B5		ADDED NEW DASH NUMBER 1-1	19APR2013	CZ	SZ



- 1 "AMP", PART NUMBER AND DATE CODE TO BE MARKED IN AREA SHOWN PARTS UNDER 2.00 LONG MAY BE MARKED ON BOTH SIDES
- 2 MATERIAL: HOUSING - GLASS FILLED HIGH TEMP THERMO PLASTIC, UL94 V-0, BLACK.
 SIGNAL CONTACT - HIGH CONDUCTIVITY COPPER ALLOY
 POWER CONTACT - HIGH CONDUCTIVITY COPPER ALLOY
 LP CONTACT - HIGH CONDUCTIVITY COPPER ALLOY
- 3 CONTACT PLATING: NOBLE METAL PLATING ON CONTACT FUNCTIONAL AREA OF POWER AND SIGNAL CONTACTS.
- 4 MECHANICAL CONNECTOR KEEP OUT ZONE
- 5 DATUM AND BASIC DIMENSIONS ESTABLISHED BY CUSTOMER
- 6 PCB - ALL HOLE DIAMETERS ARE FINISHED HOLE SIZES
- 7 PCB - 0.0453 ± .0010 DRILLED HOLES PLATED WITH .0003 MIN Sn OVER .001 TO .003 Cu PLATING TO ACHIEVE A .040 ± .030 HOLE
- 8 VARIABLE DIMENSIONS SHOW ON TABLE.
- 9 PLEASE REFER TO PART VIEW FOR DETAIL DIMENSIONS.
- 10 NOT RELEASED FOR PRODUCTION.



	D	T	S	K	U	R	L	DESCRIPTION	PART NUMBER
B5	.710	.115	-	-	.550	.1025	.900	4LP	1-6450863-1
	-	-	.250	.170	1.090	-	1.440	4P	6450863-9
	-	-	.200	.170	1.340	-	1.690	6HDP	6450863-8
	-	-	.200	.145	1.490	-	1.840	7HDP	6450863-6
	-	-	.300	.195	2.190	-	2.540	7ACP	6450863-5
	-	-	-	-	-	-	-	12 HDP	6450863-4
	2.700	-	8	.145	2.540	-	2.890	12P	6450863-2

THIS DRAWING IS A CONTROLLED DOCUMENT. DWN: H. LIU 12JUN2008
 CHK: S. ZHAO 12JUN2008
 APVD: S. YAO

DIMENSIONS: INCHES
 TOLERANCES UNLESS OTHERWISE SPECIFIED:
 0 PLC ±.
 1 PLC ±.01
 2 PLC ±.01
 3 PLC ±.005
 4 PLC ±.0020
 ANGLES ±.0020

MATERIAL: 6
 FINISH: 1

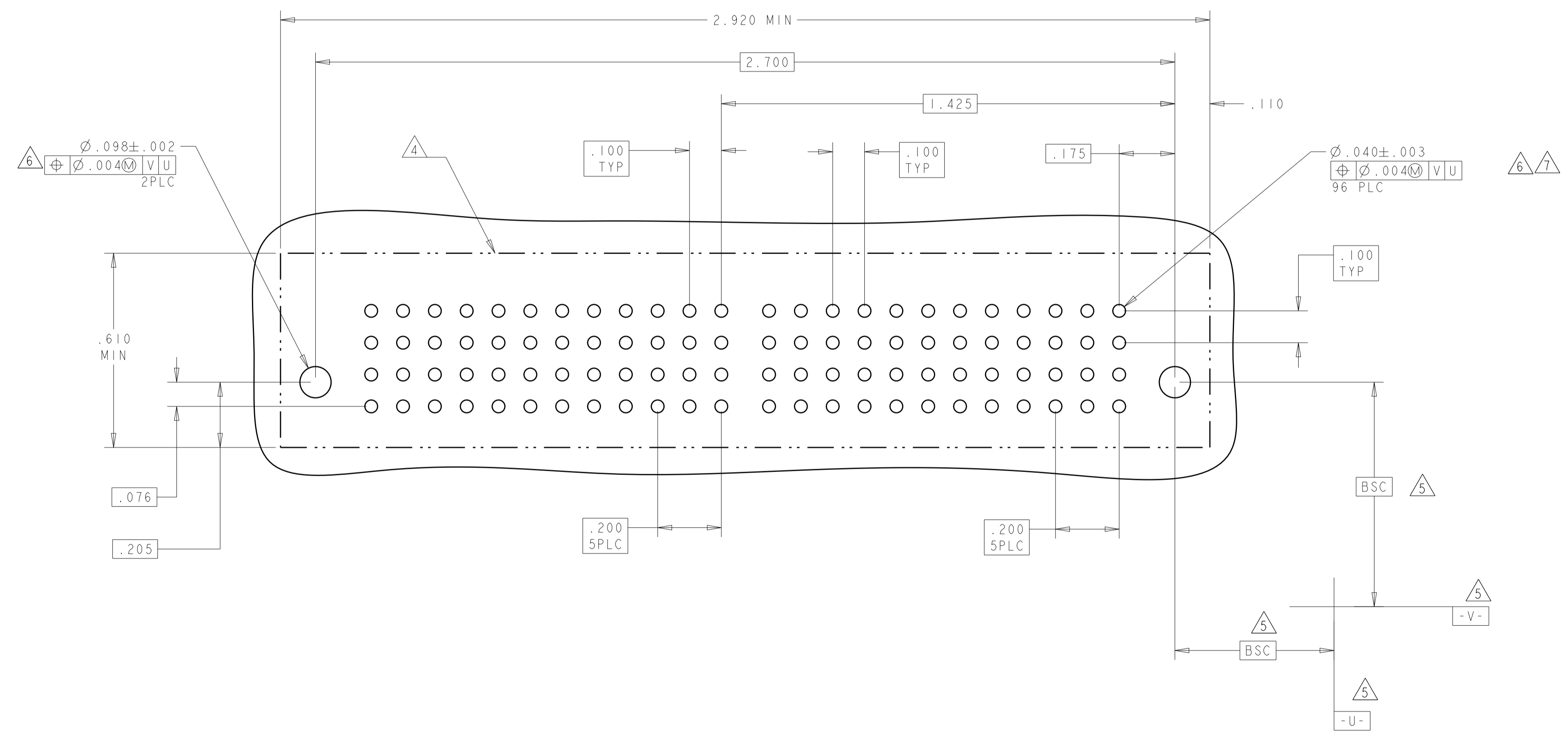
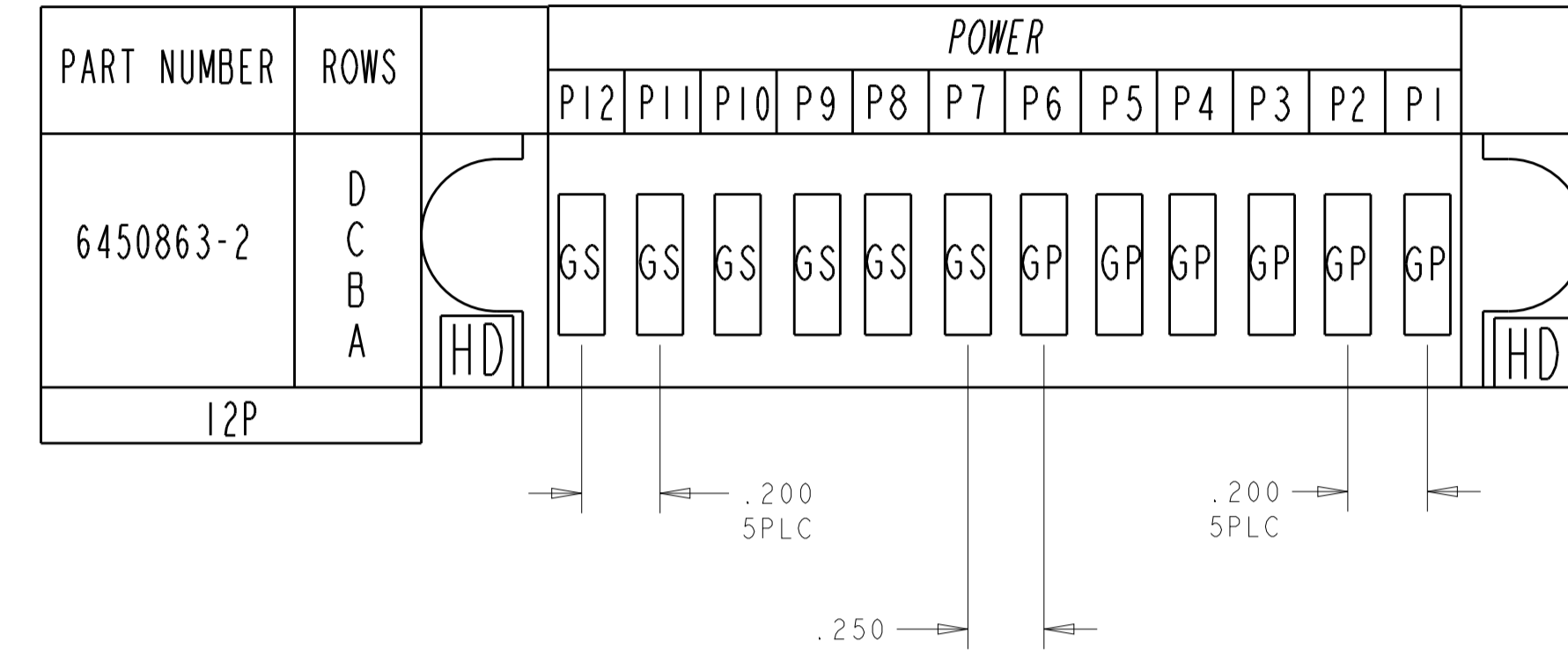
PRODUCT SPEC: 108-2292
 APPLICATION SPEC: 114-13038

WEIGHT: -
 CUSTOMER DRAWING

NAME: VER RECEPT ASSEMBLY SHROTT GUIDES, PRESS FIT MULTI-BEAM XLE
 SIZE: A1
 CAGE CODE: 6450863
 DRAWING NO: 100779
 SCALE: N/A
 SHEET: 1 OF 6
 REV: B5

TE Connectivity

LOC	DIST	REVISIONS			
P	LTN	DESCRIPTION	DATE	DMN	APVD
-	-	SEE SHEET 1	-	-	-



CODE	DESCRIPTION
LSI	STD LOW POWER PRESS FIT, .135 TAIL LENGTH
GP	MFBL POWER PRESS FIT, .135 TAIL LENGTH.
GS	STD POWER PRESS FIT, .135 TAIL LENGTH.

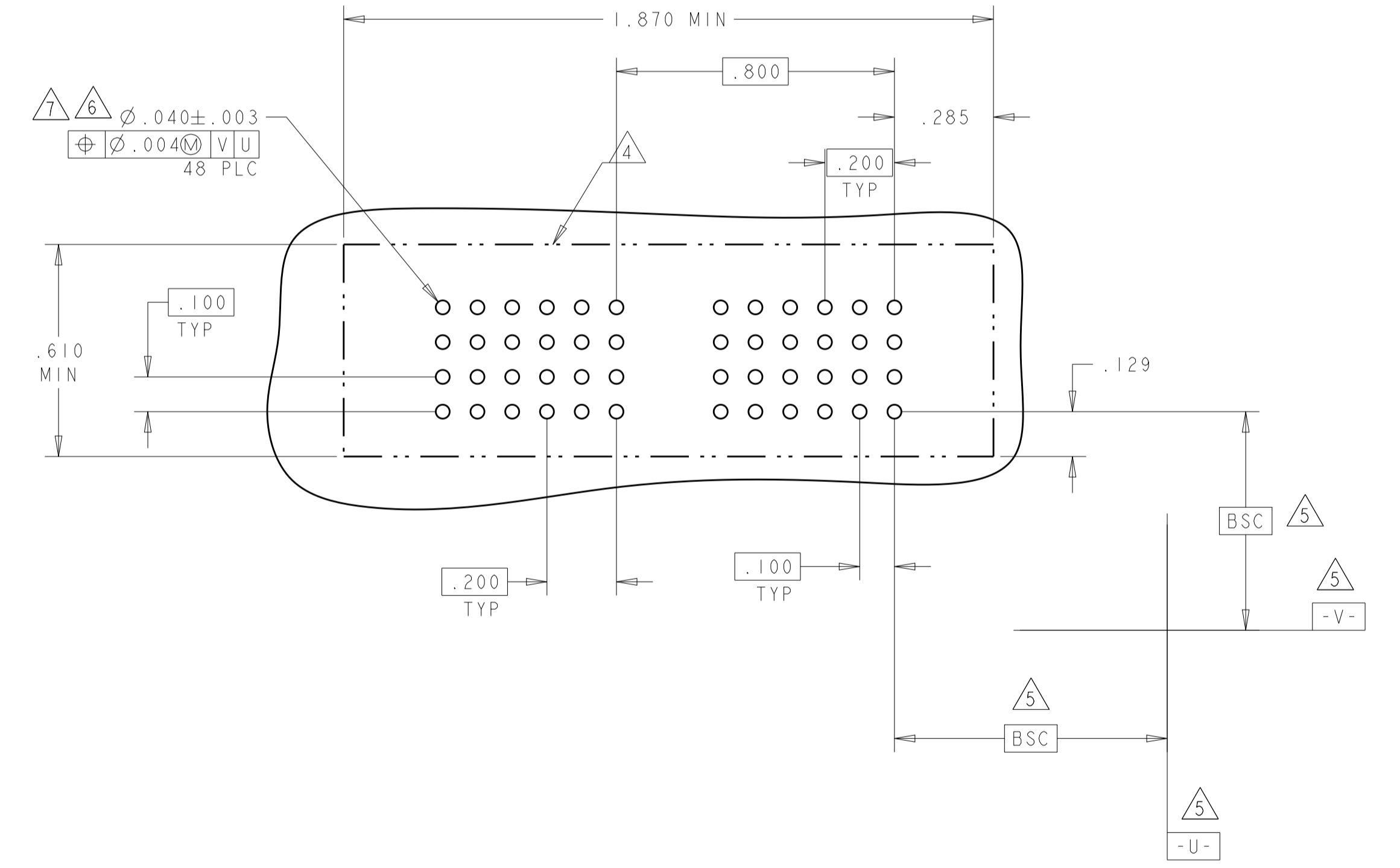
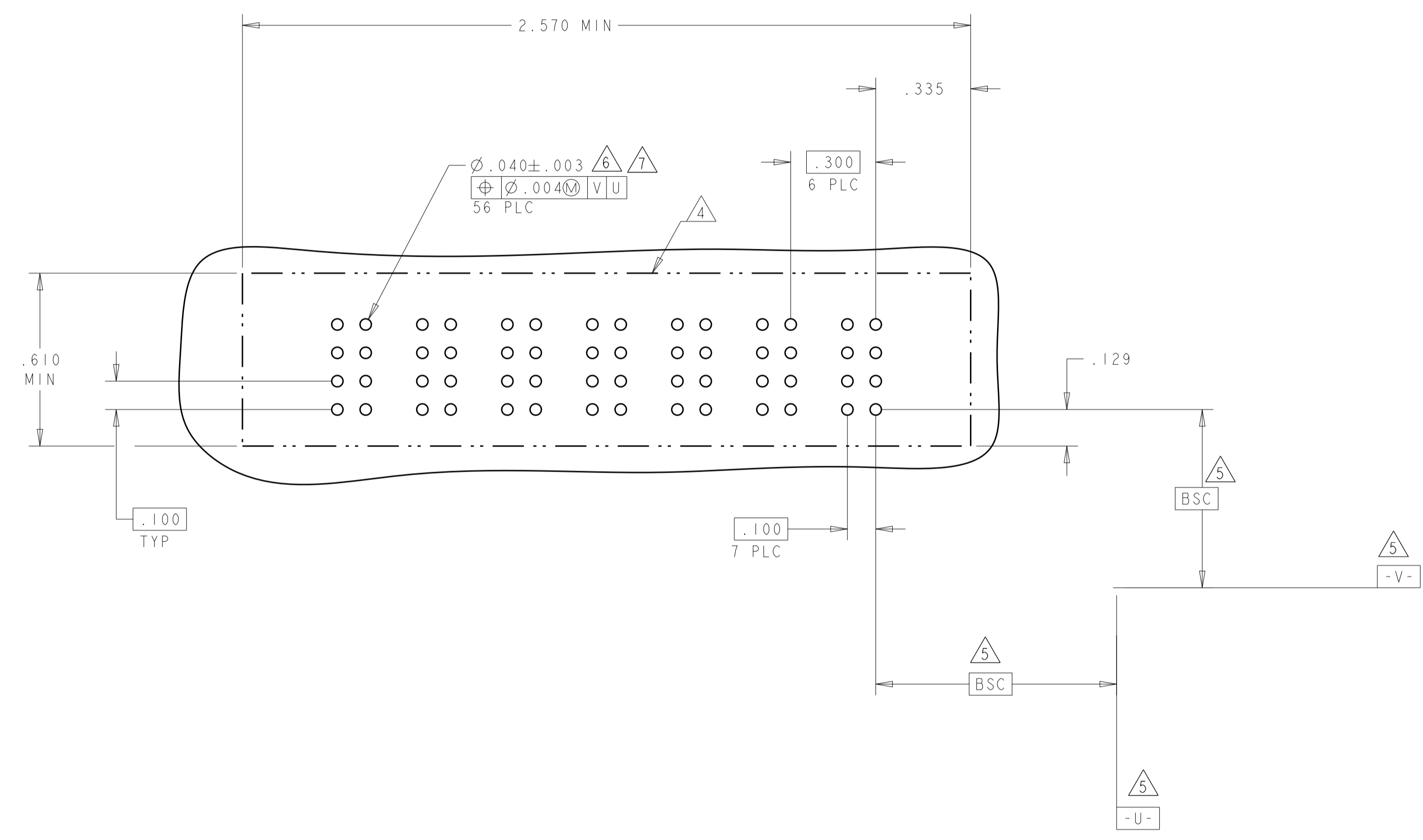
CONTACT TABLE

THIS DRAWING IS A CONTROLLED DOCUMENT.		DMN H. LIU 12JUN2008	TE Connectivity
DIMENSIONS: INCHES		CHK S. ZHAO 12JUN2008	
		APVD S. YAO	NAME VER RECEP ASSEMBLY SHROT GUIDES, PRESS FIT MULTI-BEAM XLE
TOLERANCES UNLESS OTHERWISE SPECIFIED:		PRODUCT SPEC 108-2292	SIZE A100779
0 PLC ±. 1 PLC ±.01 2 PLC ±.01 3 PLC ±.005 4 PLC ±.0020 ANGLES ±.020 FINISH ±.020		APPLICATION SPEC 114-13038	DRAWING NO C=6450863
MATERIAL		WEIGHT	RESTRICTED TO
CUSTOMER DRAWING		SCALE N/A	SHEET 2 OF 6
		REV B5	

LOC	DIST	REVISIONS			
P	LTN	DESCRIPTION	DATE	DMN	APVD
ES	00	SEE SHEET 1			

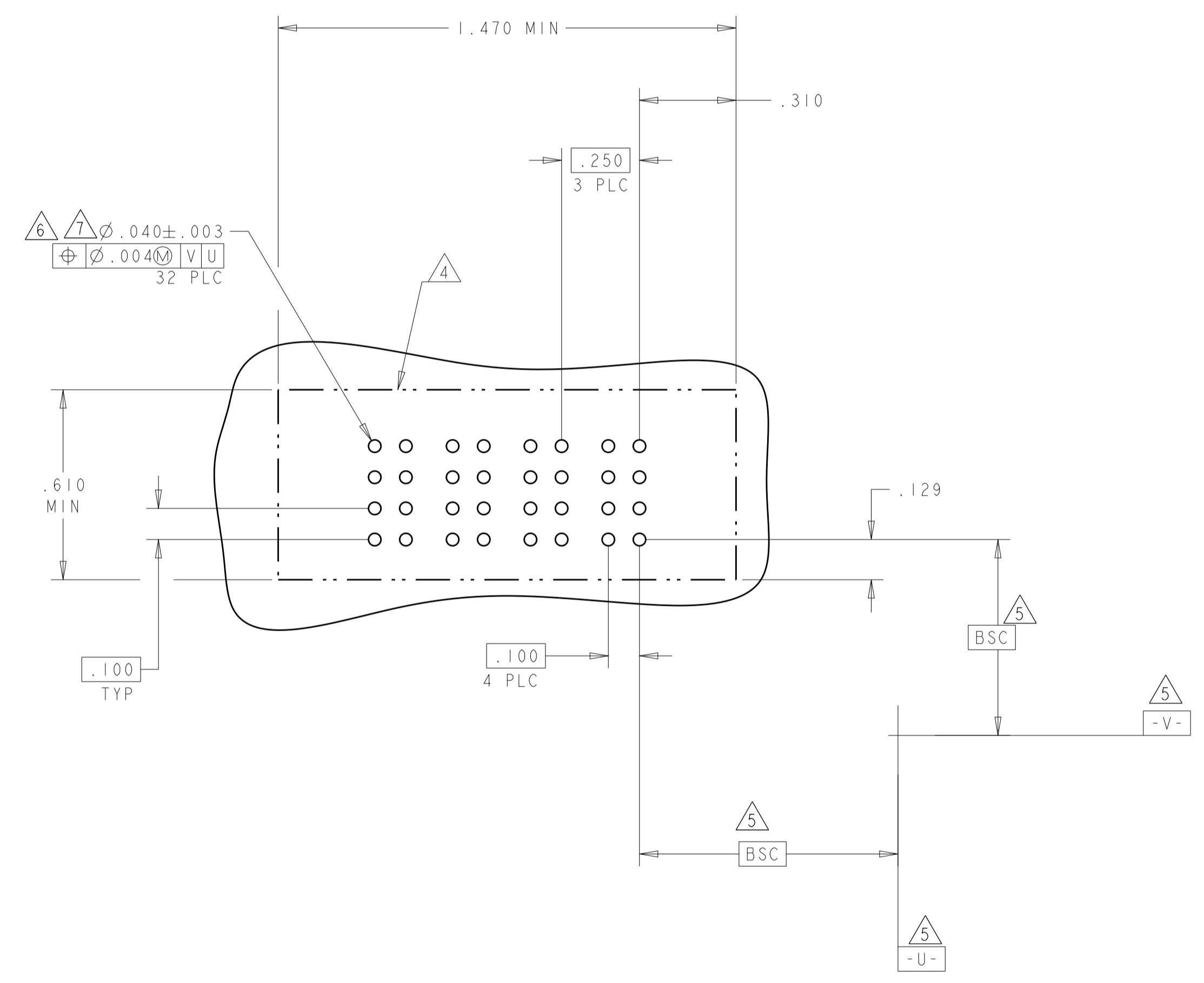
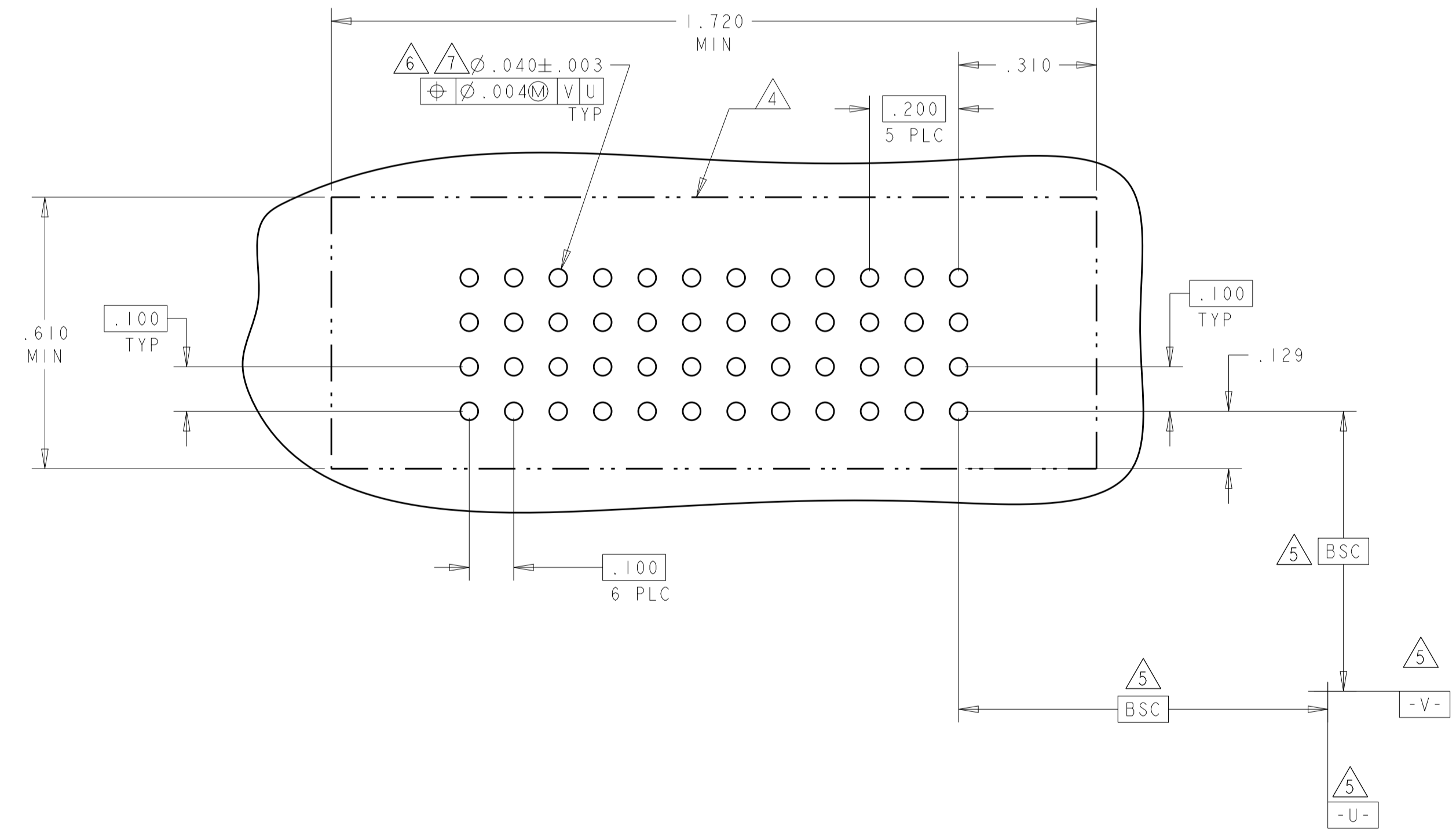
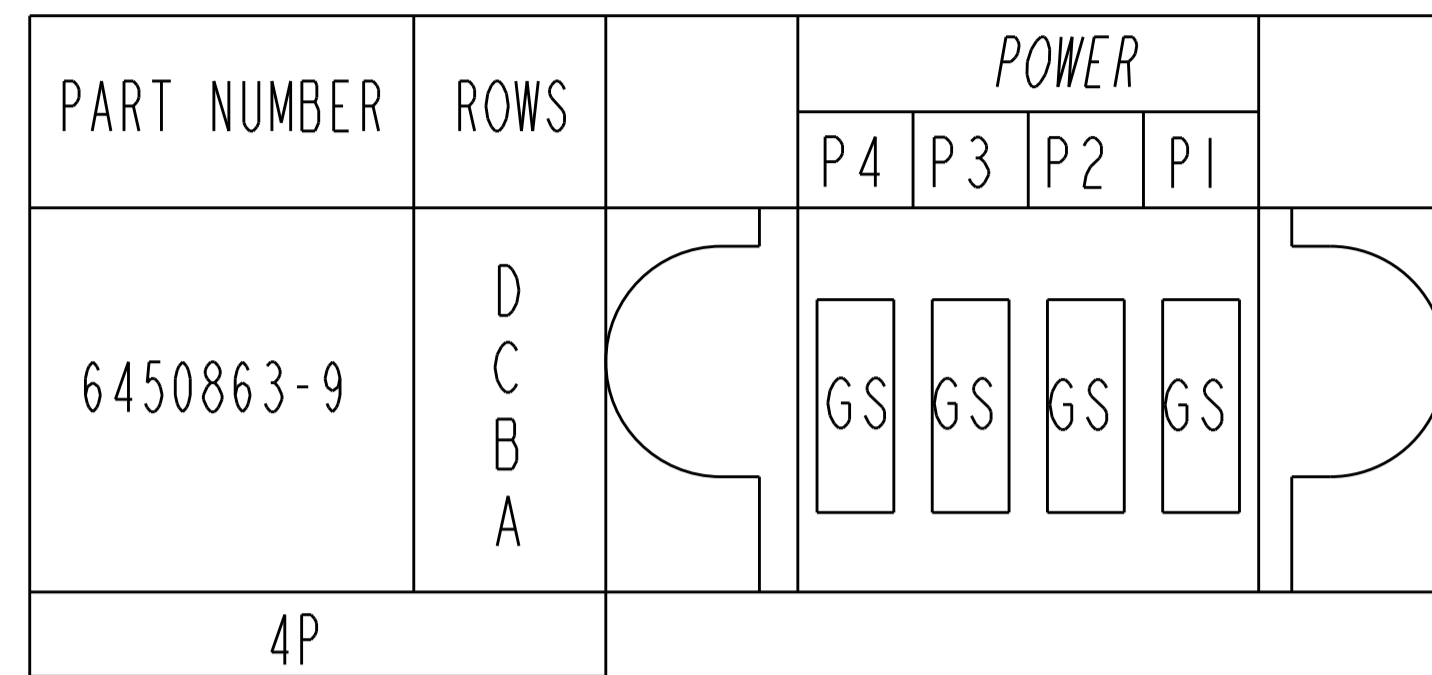
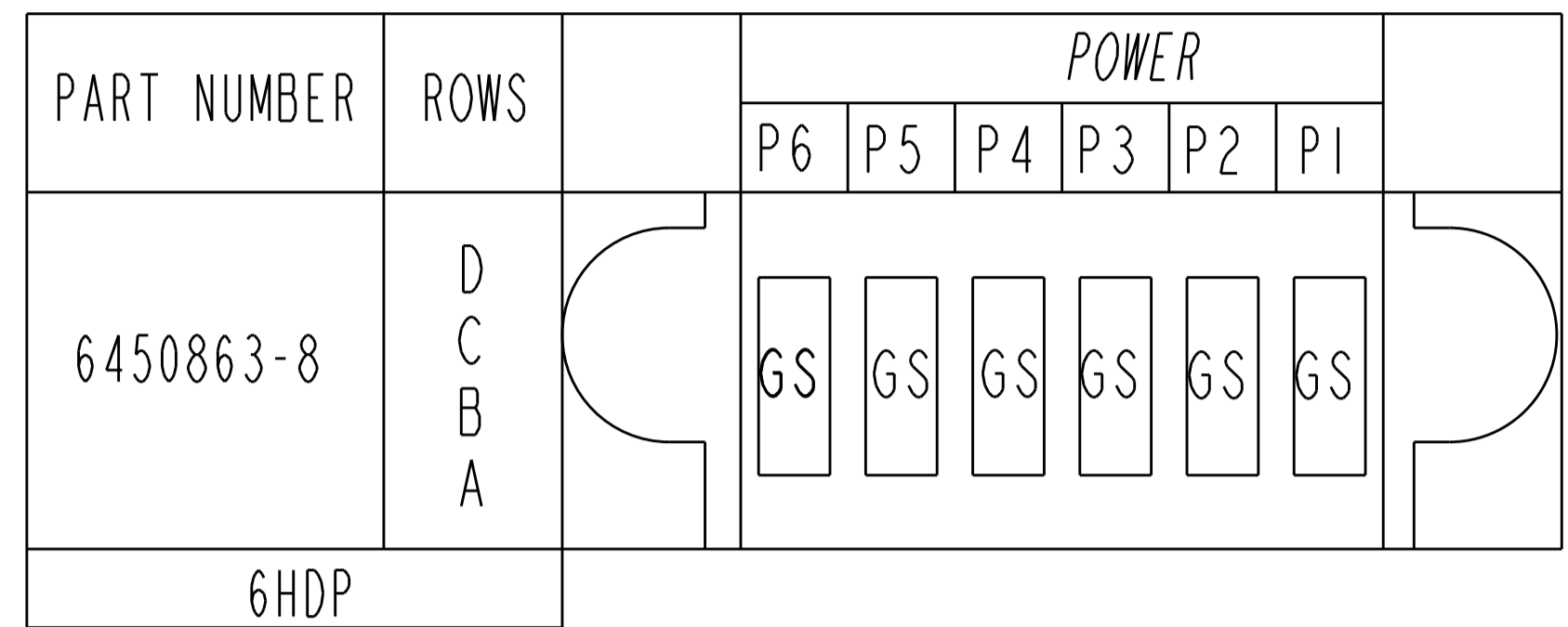
PART NUMBER	ROWS	POWER						
		P7	P6	P5	P4	P3	P2	P1
6450863-5	D C B A	GS	GS	GS	GS	GS	GS	GS
7ACP								

PART NUMBER	ROWS	POWER						
		P7	P6	P5	P4	P3	P2	P1
6450863-6	D C B A	GS	GS	GS		GS	GS	GS
7HDP								



THIS DRAWING IS A CONTROLLED DOCUMENT.		DMN: H. LIU 12JUN2008	TE Connectivity
DIMENSIONS: INCHES		CHK: S. ZHAO 12JUN2008	
TOLERANCES UNLESS OTHERWISE SPECIFIED:		APVD: S. YAO	NAME: VER RECEP ASSEMBLY SHROT GUIDES, PRESS FIT MULTI-BEAM XLE
0 PLC ±	1 PLC ±.01	PRODUCT SPEC: 108-2292	SIZE: A100779
2 PLC ±.01	3 PLC ±.005	APPLICATION SPEC: 114-13038	CAGE CODE: 6450863
4 PLC ±.0020	ANGLES ±.020	WEIGHT: -	RESTRICTED TO: -
MATERIAL: -	FINISH: -	CUSTOMER DRAWING	SCALE: N/A SHEET 4 OF 6 REV: B5

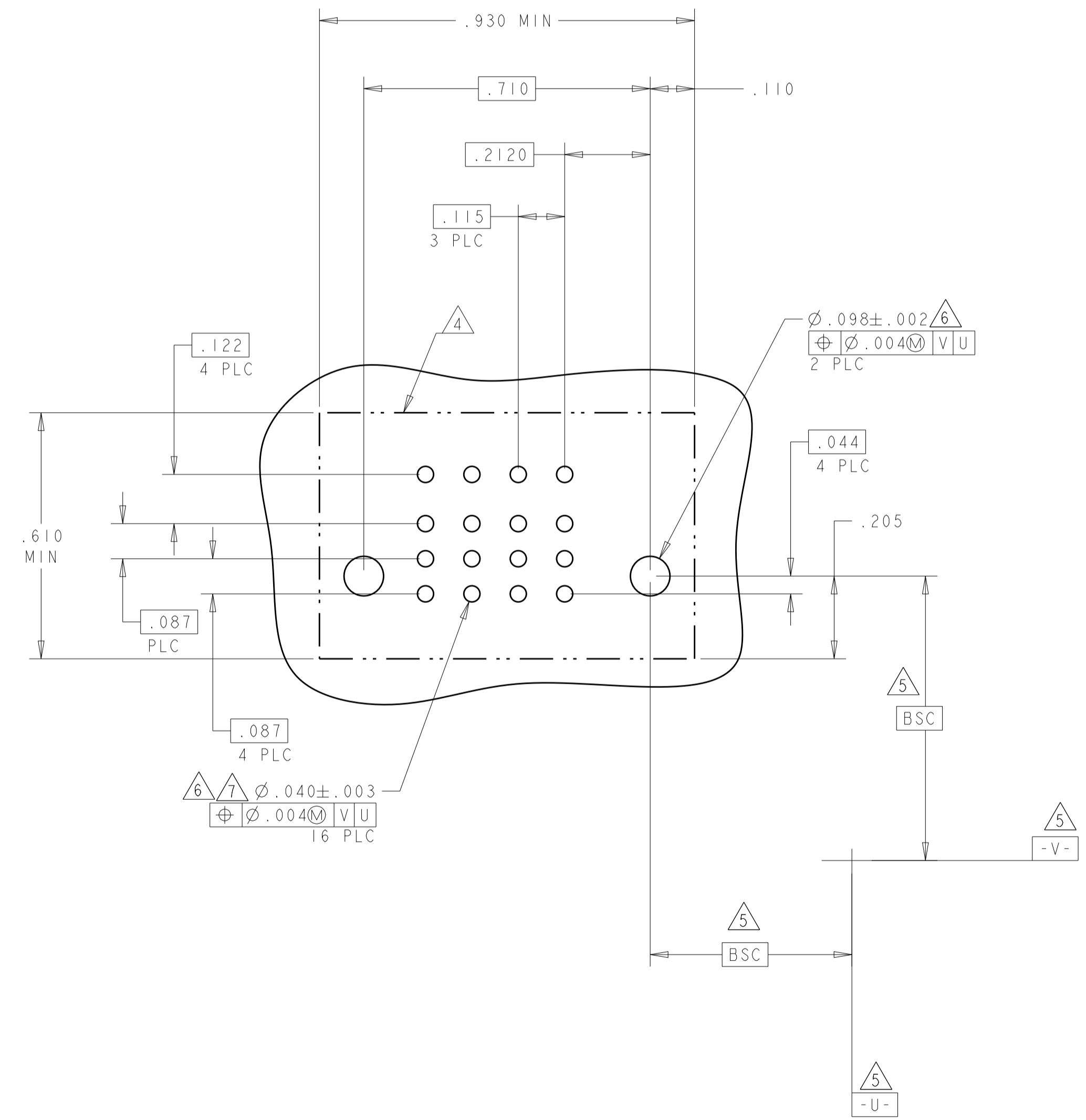
LOC	DIST	REVISIONS			
P	LTN	DESCRIPTION	DATE	DMN	APVD
ES	00	SEE SHEET 1			



THIS DRAWING IS A CONTROLLED DOCUMENT.		DMN: H. LIU 12JUN2008	TE Connectivity
DIMENSIONS: INCHES		CHK: S. ZHAO 12JUN2008	
TOLERANCES UNLESS OTHERWISE SPECIFIED:		APVD: S. YAO	NAME: VER RECEP ASSEMBLY SHROT GUIDES, PRESS FIT MULTI-BEAM XLE
0 PLC ±	1 PLC ±.01	PRODUCT SPEC: 108-2292	SIZE: A1
2 PLC ±.01	3 PLC ±.005	APPLICATION SPEC: 114-13038	CAGE CODE: 6450863
4 PLC ±.0020	ANGLES ±.2°	WEIGHT: -	RESTRICTED TO: -
MATERIAL: -	FINISH: -	CUSTOMER DRAWING	SCALE: N/A SHEET 5 OF 6 REV: B5

LOC	DIST	REVISIONS					
		P	LTH	DESCRIPTION	DATE	DWN	APVD
ES	00	-	-	SEE SHEET 1	-	-	-

PART NUMBER	POWER			
	LP4	LP3	LP2	LP1
I-6450863-1	LSI	LSI	LSI	LSI
4 LP				



THIS DRAWING IS A CONTROLLED DOCUMENT.		DWN H. LIU 12JUN2008	TE Connectivity
DIMENSIONS: INCHES		CHK S. ZHAO 12JUN2008	
		TOLERANCES UNLESS OTHERWISE SPECIFIED:	NAME S. YAO
0 PLC ±		PRODUCT SPEC	VER RECEP ASSEMBLY
1 PLC ±.01		108-2292	SHROT GUIDES, PRESS FIT
2 PLC ±.05		APPLICATION SPEC	MULTI-BEAM XLE
3 PLC ±.005		SIZE CAGE CODE DRAWING NO	RESTRICTED TO
4 PLC ±.0020		114-13038	A100779C=6450863
ANGLES ±.2°		WEIGHT	-
FINISH		CUSTOMER DRAWING	SCALE N/A SHEET 6 OF 6 REV B5