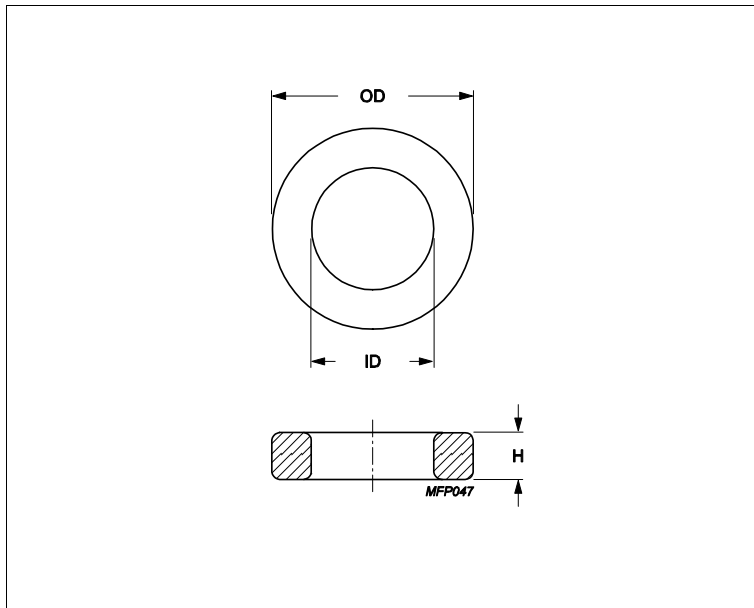


Core **Toroid 51/32/19**



Effective parameters			
	Parameter	Value	Unit
$\Sigma(I/A)$	core factor (C1)	0.73	mm ⁻¹
Ve	effective volume	21500	mm ³
Le	effective length	125	mm
Ae	effective area	172	mm ²
m	mass of core	≈ 100	g/pcs

Epoxy coating DC isolation voltage 2000.

Maximum operating temperature of the coating is 200°C.

Dimensions (mm)

Cores	OD	ID	H	
TX51/32/19	52.55 max	30.5 min	19.9 max	Epoxy Coated

Core data

Cores	Material	Al (nH/turns ²)	Al tolerance	$\mu\epsilon$
TX51/32/19	3C94	4130	± 25%	≈ 2300
TX51/32/19	3E10	17000	± 20%	≈ 9500
TX51/32/19	3E27	9870	± 25%	≈ 5500
TX51/32/19	3E6 (3E10-M)	17000	± 30%	≈ 9500
TX51/32/19	3E65	9330	± 25%	≈ 5200