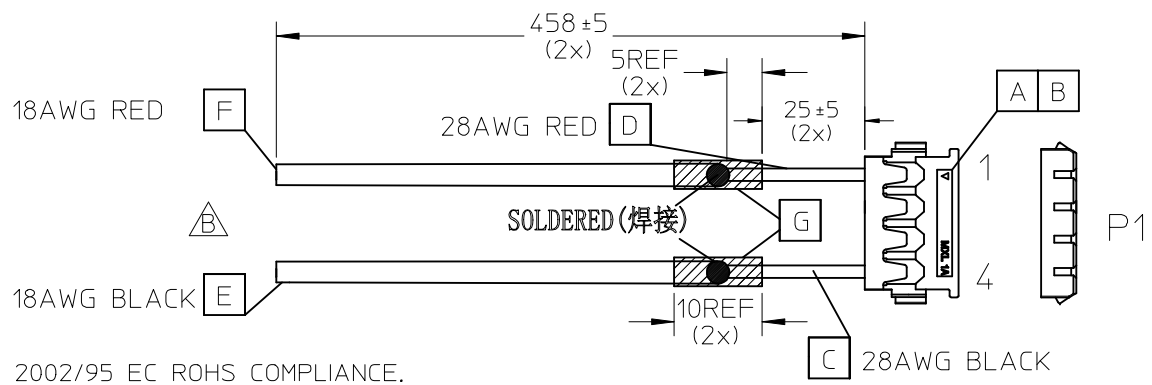


REVISIONS				
EC NO	DATE	REV	DESCRIPTION	CHANGER
CY13-5876	13.01.09	B	CHG. TITLE	JORRY
CY13-5950	13.01.25	C	CANCEL TINNED	JORRY



NOTES

- THIS PRODUCT MUST MEET EU 2002/95 EC ROHS COMPLIANCE.
此产品需符合EU 2002/95 EC ROHS 环保要求
- ELECTRICAL PERFORMANCE REFER TO ES-000.
电气特性参考ES-000.
- 28AWG WIRE SPEC.(线的规格)
 - WIRE OD:0.7+/-0.05MM,
 - WIRE INSULATION: FEP
 - CONDUCTOR:7/0.127 TINNED COPPER
 - UL STYLE:UL1371
 - TEMPERATURE RATING:105℃
 - RATED VOLTAGE:300V
- 18AWG WIRE SPEC.(线的规格)
 - WIRE OD:2.05+/-0.05MM,
 - WIRE INSULATION: PVC
 - CONDUCTOR:34/0.178 TINNED COPPER
 - UL STYLE:UL1569
 - TEMPERATURE RATING:105℃
 - RATED VOLTAGE:300V
- STICK UL LABEL ON THE OUTSIDE CARTON.
外箱上贴UL 标签

G	HST 2MM BLACK	A/R	
F	18AWG/34STD,PLTD,PVC,RD,OD=2.05MM,UL1569	A/R	
E	18AWG/34STD,PLTD,PVC,BK,OD=2.05MM,UL1569	A/R	
D	28AWG,FEP,RED,OD:0.7MM,UL1371,VW-1	A/R	
C	28AWG,FEP,BLACK,OD:0.7MM,UL1371,VW-1	A/R	
B	TERMINAL 28-30AWG		2
A	4CKT HSG,WHITE		1
ITEM	DESCRIPTION	L(MM)	Q'TY

P1	COLOR
1	RED
2	
3	
4	BLACK

EC NO: CPG2013-2410 DRWN: CXIA003 CHKD: JDUAN APPR: FNIE 2013/01/26 2013/01/26 2013/01/28	QUALITY SYMBOLS F=0 E=0 P=0	GENERAL TOLERANCES (UNLESS SPECIFIED)		DIMENSION STYLE MM ONLY		SCALE ---	DESIGN UNITS METRIC	THIRD ANGLE PROJECTION	
		4 PLACES ± --- ± --- 3 PLACES ± --- ± --- 2 PLACES ± --- ± --- 1 PLACE ± --- ± --- 0 PLACE ± --- ± ---	mm INCH	DRAWN BY CXIA003	DATE 2012/12/25	TITLE 2PINS WIRING PICO EZMATE 18" 18/28AWG	CHECKED BY JDUAN	DATE 2012/12/25	
ANGULAR ± ---°		MATERIAL NO. 688014229		DOCUMENT NO. SD-68801-094		SHEET NO. 1 OF 1			
DRAFT WHERE APPLICABLE MUST REMAIN WITHIN DIMENSIONS		THIS DRAWING CONTAINS INFORMATION THAT IS PROPRIETARY TO MOLEX INCORPORATED AND SHOULD NOT BE USED WITHOUT WRITTEN PERMISSION							