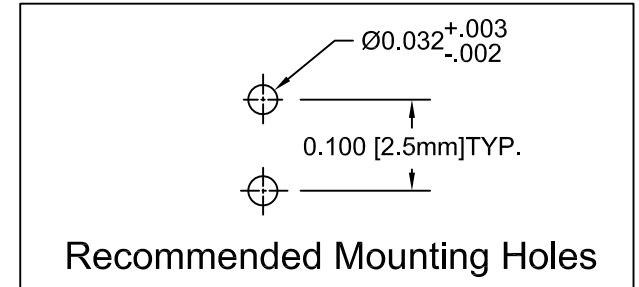
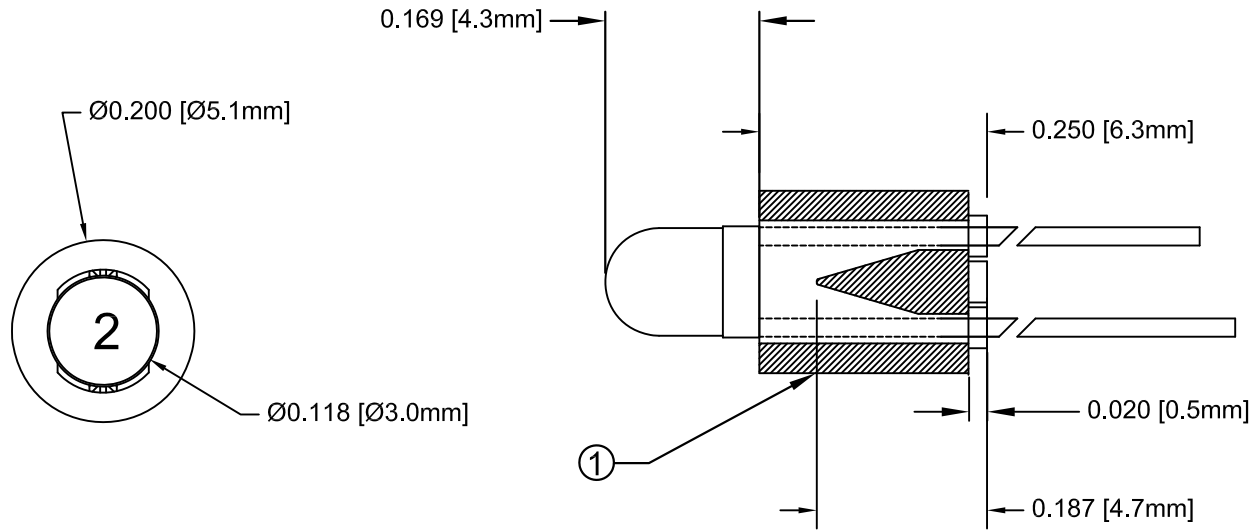


| ITEM | Q'TY | PART NUMBER | PART DESCRIPTION |
|------|------|-------------|-------------------------------------|
| 1 | 1 | LTM-250 | Molded, Self-Retaining LED Mount |
| 2 | 1 | 3GTL-S | T-1 (3mm) N-Flange LED, Low Current |



| REV. | DESCRIPTION | DATE | APPROVED |
|------|-----------------------------------|----------|----------|
| A | Engineering Release. | 11/10/06 | M. C. |
| B | Added -S to 3GTL to BOM and Table | 12/19/12 | T. Y. |
| | | | |
| | | | |



| LED Part No. | Chip | | | Lens Appearance | Absolute Maximum Ratings | | | | Electro-Optical Data @ 2mA | | | Viewing Angle (Deg) |
|--------------|----------|-----------------------------------|---------------|-----------------|--------------------------|---------|---------|--------------|----------------------------|------|----------|---------------------|
| | Material | Peak Wave Length λ_p (nm) | Emitted Color | | $\Delta\lambda$ (nm) | Pd (mW) | If (mA) | Peak If (mA) | Vf (V) | | Iv (mcd) | |
| | | | | | | | | | Typ. | Max. | Typ. | |
| 3GTL-S | GaP/GaP | 568 | Green | TINTED | 30 | 14 | 7 | - | 1.8 | 2.2 | 7.5 | 30 |

ABSOLUTE MAXIMUM RATINGS (Ta = 25°C)

REVERSE VOLTAGE _____ 5V
 REVERSE CURRENT (VR=5V) _____ 100µA
 OPERATING TEMPERATURE RANGE _____ -25°C ~ 85°C
 STORAGE TEMPERATURE _____ -30°C ~ 100°C
 LEAD SOLDERING TEMPERATURE (1/16" FROM BODY) _____ 260°C for 5 Seconds

| | | | |
|---|--------------------------|--|-----------------------|
| STANDARD TOLERANCE (UNLESS OTHERWISE SPECIFIED) | |  BIVAR [®] 4 THOMAS, IRVINE, CA. 92618 TEL: (949) 951-8808 FAX: (949) 951-3974 | |
| DECIMALS | ANGULAR | | |
| .X ±.1 | X° ± 1° | | |
| .XX ±.02 | |  TITLE: Molded Self-Retaining LED Mount Assy | |
| .XXX ±.010 | | | |
| DESIGNED: Dan Beckman | DATE: 11/10/06 | PART NO: LTM2503GTL | REVISION: B |
| CHECKED: T. Yin | DATE: 11/10/06 | CAGE CODE : 32559 | SHEET # 1 OF 1 |
| CAD GENERATED DOCUMENT, DO NOT MEASURE DRAWING. | | | |