

NOTES:

1.0 ELECTRICAL SPECIFICATIONS:

1.1 FREQUENCY RANGE:

M3933/17-01 thru 06: DC to 4.5 GHz  
M3933/17-07 thru 24: DC to 18.0 GHz

1.2 ATTENUATION ACCURACY: SEE TABLE

1.3 VSWR (MAX): (BOTH ENDS)

M3933/17-01 thru 06: 1.25:1  
M3933/17-07 thru 24:  
DC to 4.0 GHz: 1.15:1  
4.0 to 8.0 GHz: 1.20:1  
8.0 to 12.4 GHz: 1.25:1  
12.4 to 18.0 GHz: 1.35:1

1.4 INPUT POWER:

POWER INPUT IS DERATED LINEARLY TO  
0.5 WATTS AT +125°C.  
M3933/17-01 thru 06: 4 WATTS AVG.  
M3933/17-07 thru 24: 2 WATTS AVG.

1.5 PEAK POWER: 0.2 KILOWATTS

PEAK POWER FOR A DUTY CYCLE OF  $5 \times 10^{-4}$ ,  
MAX. PULSE DURATAION OF 5 MICRSECONDS.

2.0 MARKING: MARK UNIT AS SHOWN

(REF.: INK-09208-27-XX)

3.0 DIMENSIONS IN PARENTHESIS ARE IN

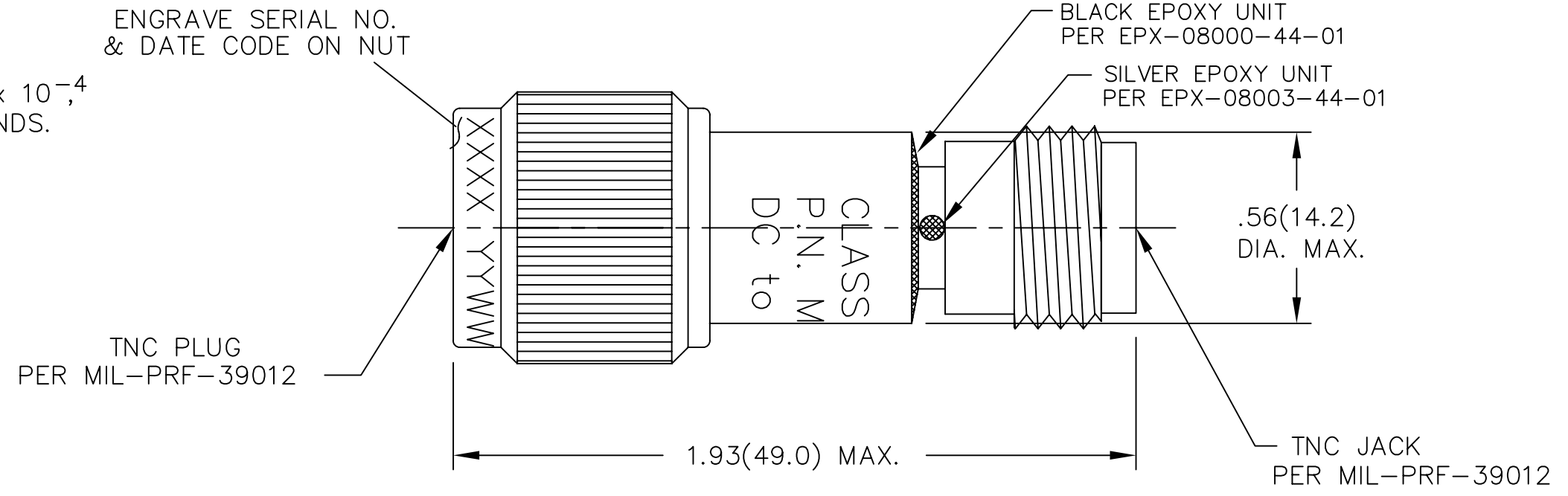
MILLIMETERS.

4.0 TESTING:

SCREENED PER ATP-07839-60-01  
NON-SCREEN PER ATP-09210-60-01

-12	4	±0.4
-11	3	±0.4
-10	2	±0.4
-09	1	±0.4
-08	30	±0.9
-07	20	±0.6
-06	6	±0.4
-05	5	±0.4
-04	4	±0.4
-03	3	±0.4
-02	2	±0.4
-01	1	±0.3
M3933/17-XX MODEL NO.	(dB) ATTEN.	ATTEN. ACCURACY

-22	40	±1.0
-21	35	±0.9
-20	25	±0.8
-19	15	±0.5
-18	12	±0.5
-17	10	±0.5
-16	8	±0.5
-15	7	±0.5
-14	6	±0.4
-13	5	±0.4
M3933/17-XX MODEL NO.	(dB) ATTEN.	ATTEN. ACCURACY



DATE	2/3/95	5/4/95	1/15/04	3/10/06
DESCRIPTION	RELEASED	ECN 14461	ECN 19574	ECN 20764
REV.	A	B	C	

5.0 BAG MARKING:

MODEL M3933/17-XX (N or S)  
ATTENUATOR FIXED COAXIAL LINE  
YY WATTS AVERAGE INPUT POWER  
FREQ. RANGE: DC-ZZ GHz  
MFR 34078  
LOT NO. \_\_\_\_\_  
DATE CODE: [YYWW]

SEE TABLE

SEE MODEL NO.  
FOR LAST 3 DIGITS

SEE TABLE

YEAR & WEEK

UNLESS OTHERWISE NOTED DIMENSIONS ARE IN INCHES AND TOLERANCES ARE:  
3 PLACE DECIMALS ±.005  
2 PLACE DECIMALS ±.02  
FRACTIONS ±1/64  
PARALLELITY: T.I.R. \_\_\_\_\_  
FLATNESS: T.I.R. \_\_\_\_\_  
CONCENTRICITY: T.I.R. \_\_\_\_\_  
ANGLES AND PERPENDICULARITY: ±1°

FSCM NO.  
**34078**

**MIDWEST MICROWAVE**

NOTICE: The information contained in this drawing is proprietary and must not be used without the permission of Midwest Microwave

TITLE  
ATTENUATOR

DRAWN/DATE  
A.BEATTY  
1/27/95  
CHECKED/DATE  
M.HOLLMAN  
2/3/95

ENG./DATE  
G.KOZAK  
2/3/95  
APPROVED/DATE

DRAWING NUMBER  
M3933/17-XX(N or S)

SCALE: 3=1 SHEET 1 of 1