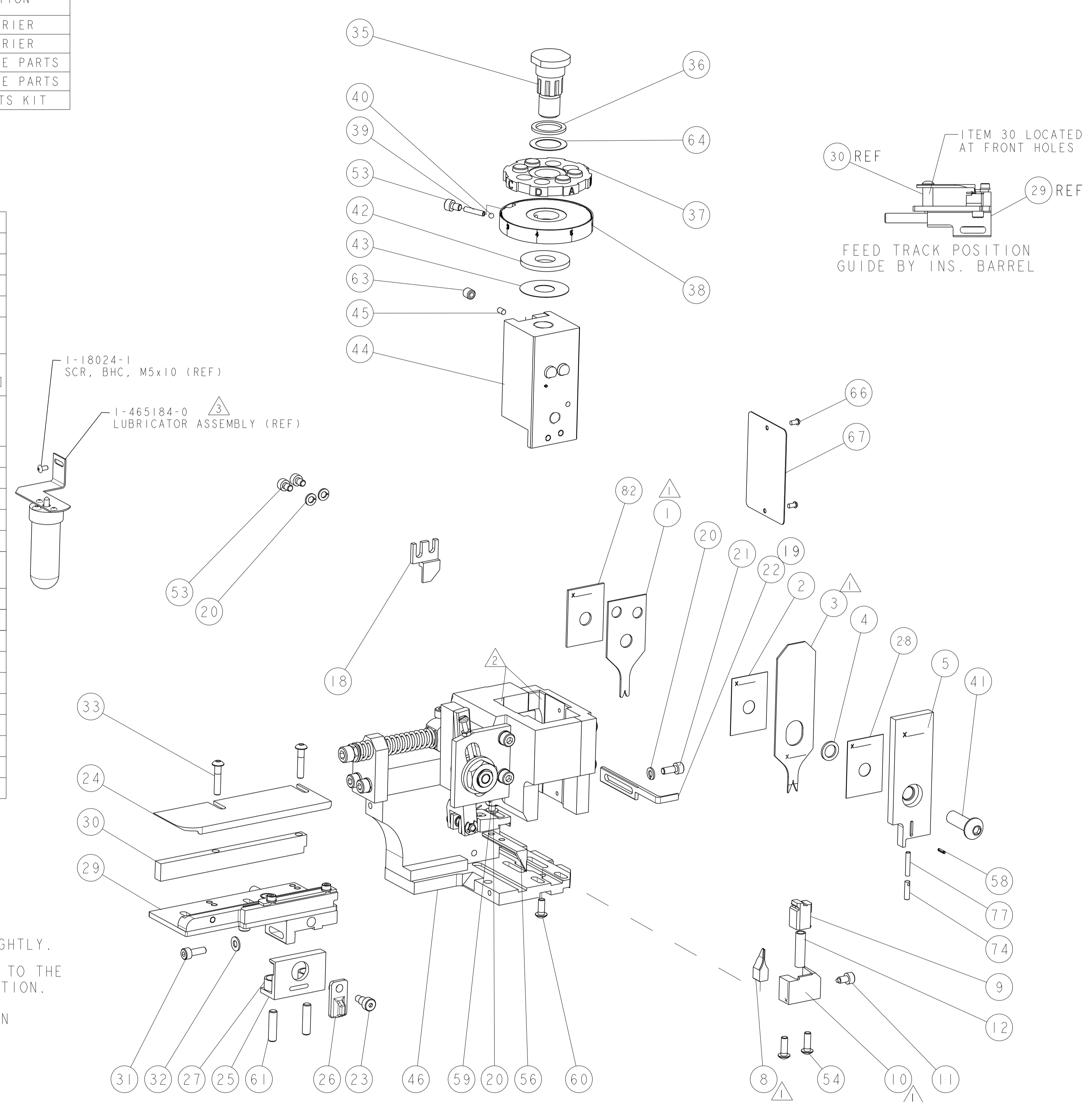
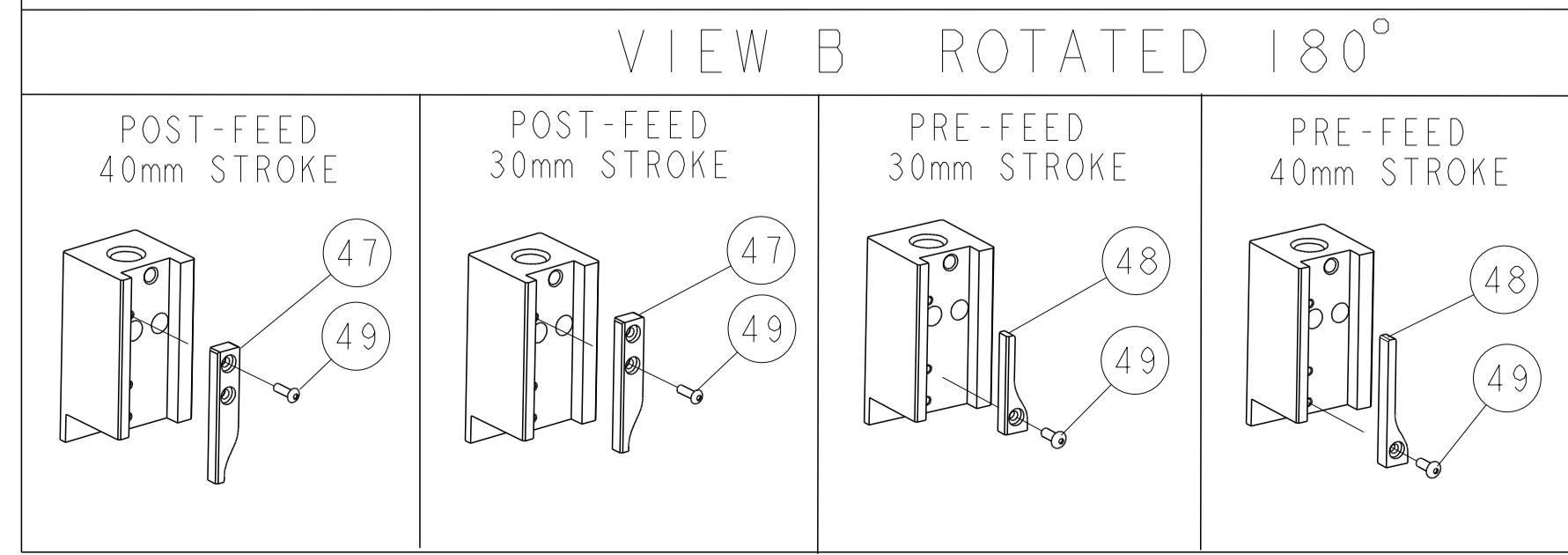


PART NUMBER	REV	TERMINATOR	FEED TYPE	DESCRIPTION
2114097-1	D	LEADMAKER	MECH POST FEED	CUTS CARRIER
2114097-2	D	BENCH	MECH PRE FEED	CUTS CARRIER
7-2114097-1	D	LEADMAKER	MECH POST FEED	-1 AND SPARE PARTS
7-2114097-2	D	BENCH	MECH PRE FEED	-2 AND SPARE PARTS
7-2114097-7	C	-	-	SPARE PARTS KIT

CRIMP DATA		TE TERMINAL	TE CRIMP SPECS
TERMINAL NAME: 1.0mm VP REMODEL POST CONTACT			
CRIMP	SIZE	TYPE	RANGE
WIRE	0.65 [0.026 IN]	F	0.089-0.141mm ²
INSUL	0.60 [0.024 IN]	S	Ø0.64-0.82 [0.025-0.032 IN]
WIRE STRIP LENGTH 1.20-1.80 [0.047-0.071 IN]		APPL INSTRUCTIONS 408-8322	
TERMINAL APPL SPEC		114-5441	FEED 5.00 [0.197 IN]
TERMINALS APPLIED			
2040973	-	-	-
-	-	-	-
-	-	-	-
-	-	-	-
-	-	-	-
WIRE SIZE	CRIMP HEIGHT	PIN PN & LENGTH [IN]	
0.14mm ²	0.72 ±0.05 [0.028 ±.002 IN]	5-354779-9 [0.3285]	
0.08mm ²	0.60 ±0.05 [0.024 ±.002 IN]	6-354779-8 [0.3330]	

- △ RECOMMENDED SPARE PARTS.
- △ GREASE RAM, CAM, CAM FOLLOWER AND FEED ROD LIGHTLY.
- △ CERTAIN TERMINALS REQUIRE LUBRICATION. REFER TO THE APPLICATOR INSTRUCTION SHEET FOR MORE INFORMATION.
- 4. LUBRICATE DAILY PER THE APPLICATOR INSTRUCTION SHEET SUPPLIED WITH THE APPLICATOR.



SET UP GAGE 458637-3		LOC	DIST	REVISIONS			
A	66			REV	DATE	BY	CHKD
C	ECR-11-012247				14JUN2011	RK	GB
D	ECR-14-012370				18AUG2014	JH	TE

REV	DATE	DESCRIPTION	ITEM NO					
-	1	1	1	1-455888-1	SPACER, CRIMPER	82		
-	1	1	1	547505-3	SPRING, COMPRESSION	77		
-	1	1	1	854769-4	HOLDER, INS	74		
-	1	1	1	1338705-1	DOCUMENTATION PACKAGE	71		
-	1	1	1	461264-1	PLATE, IDENTIFICATION	67		
-	2	2	2	21017-2	SCREW, DRIVE	66		
-	1	1	1	986950-1	WASHER, FLAT PRECISION	64		
-	1	1	1	3-18031-0	SCR, SET, CUP POINT M6 X 6.0	63		
-	2	2	2	2-18032-5	SCR, SET, FLT POINT M5 X 20.0	61		
-	1	1	1	18024-7	SCR, BTN SKT HD CAP (M4 X 10.0)	60		
-	1	1	1	5-18022-2	SCR, HEX HD CAP M4 X 8.0	59		
-	1	1	1	21028-2	PIN, SLOTTED SPRING .062 X .250	58		
-	1	1	1	1338685-1	PAWL, FEED	56		
-	2	2	2	18024-8	SCR, BTN SKT HD CAP (M4 X 12.0)	54		
-	3	3	3	18023-9	SCR, SKT HD CAP M4 X 6.0	53		
-	1	1	1	18024-3	SCR, BTN SKT HD CAP (M3 X 10.0)	49		
-	1	1	1	1338675-1	CAM, UNIVERSAL PRE FEED	48		
-	-	1	-	1338676-1	CAM, UNIVERSAL POST-FEED	47		
-	1	1	1	1320999-3	APPLICATOR SUBASSEMBLY, HDI	46		
-	1	1	1	690191-1	PLUG, NYLON	45		
-	1	1	1	1633724-5	RAM, (SIDE FEED)	44		
-	1	1	1	690125-1	SHIM SUB-ASSY	43		
-	1	1	1	690124-3	WASHER, RAM (.110)	42		
-	1	1	1	2-18024-6	SCR, BTN SKT HD CAP (M8 X 25.0)	41		
-	1	1	1	23241-1	BALL, STEEL	40		
-	1	1	1	2-22278-7	SPRING, COMPRESSION	39		
-	1	1	1	1320922-3	DISC, ADJUST, INSULATION CRIMP	38		
-	1	1	1	354777-1	WIRE DISC, ASSEMBLY	37		
-	1	1	1	22480-5	SPRING, COMPRESSION	36		
-	1	1	1	690212-1	POST, RAM	35		
-	2	2	2	1-18024-0	SCR, BTN SKT HD CAP (M4 X 20.0)	33		
-	1	1	1	18027-2	WASHER, FLAT, REG M4	32		
-	1	1	1	1-18023-2	SCR, SKT HD CAP M4 X 12.0	31		
-	1	1	1	1-1320908-7	SPACER, STRIP GUIDE	30		
-	1	1	1	1633073-3	STRIP GUIDE ASSEMBLY	29		
-	1	1	1	455888-3	SPACER, CRIMPER	28		
-	2	2	2	1-22284-0	SPRING, COMPRESSION	27		
-	1	1	1	356835-1	LEVER, DRAG RELEASE	26		
-	1	1	1	240792-1	DRAG, TERMINAL	25		
-	1	1	1	1320928-5	STRIP GUIDE	24		
-	1	1	1	980371-4	SCR, SKT HD SHLDR 5.0 DIA X 6.0	23		
-	-	1	-	690472-6	STRIPPER	22		
-	1	1	1	1-18023-1	SCR, SKT HD CAP M4 X 10.0	21		
-	4	4	4	18025-2	WASHER, SPRG LOCK, REG M4	20		
-	1	-	-	1-1338987-7	STRIPPER	19		
-	1	1	1	2047247-1	HOLD DOWN, TERMINAL	18		
-	-	-	-	-	-	13		
-	1	1	1	3-22280-3	SPRING, COMPRESSION	12		
-	1	1	1	356885-5	STOP, SHEAR	11		
-	1	1	1	1-1320921-0	SHEAR HOLDER, FRONT, CUT	10		
-	1	1	1	1633861-1	SHEAR, FLOATING	9		
△	1	2	2	1	6-1633703-8	ANVIL, COMBINATION	8	
-	-	-	-	-	-	7		
-	-	-	-	-	-	6		
-	1	1	1	1	854772-1	DEPRESSOR, SHEAR	5	
-	1	1	1	1	3-238011-7	BLOCK, CRIMPER SPACER	4	
△	1	2	2	1	1	1633984-2	CRIMPER, INSULATION BOX	3
-	1	1	1	1	1	455888-2	SPACER, CRIMPER	2
△	1	2	2	1	1	2-1633713-3	CRIMPER, WIRE PREMIUM	1

DIMENSIONS:		TOLERANCES UNLESS OTHERWISE SPECIFIED:	
mm [IN]	0 PLC	±	
	1 PLC	±	
	2 PLC	±	
	3 PLC	±	
	4 PLC	±	
	ANGLES	±	
	FINISH		

OWNER: S. ZOU	DATE: 14APR2010	TE Connectivity Harrisburg, PA 17105-3608
CHKD: T. ELBIN	DATE: 14APR2010	
APVD: S. XI	DATE: 14APR2010	NAME: SIDE FEED HDI APPLICATOR
APPLICATION SPEC: See Table		SIZE: A1
MATERIAL: -		CAGE CODE: 00779
WEIGHT: -		DRAWING NO: C-2114097
SCALE: 3:5		SHEET 1 OF 1
REV: D		RESTRICTED TO: -