

Linear/Saturating Choke



**Description**

- Linear/saturating choke
- Flexible wire
- Low noise development by using iron powder toroids instead of conventional iron lamination cores
- Fully potted resin

**Standards**

- EN 60938

**Applications**

- Phase angle control circuits with thyristors, triacs or transistors
- The choke acts at its optimum when it is mounted directly at the interference originator (thyristor, triac)

**Weblinks**

[pdf datasheet](#), [html-datasheet](#), [General Product Information](#), [Approvals](#), [CE declaration of conformity](#), [RoHS](#), [CHINA-RoHS](#), [REACH](#), [Distributor-Stock-Check](#), [Detailed request for product](#)

**Technical Data**

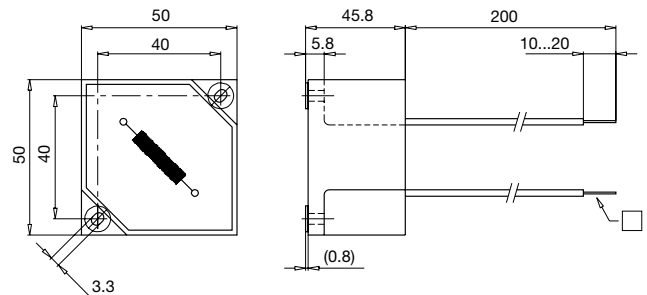
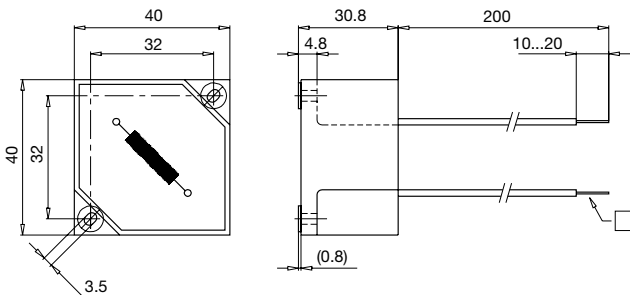
Rated voltage	up to 440VAC	Isolation Voltage	2 kV eff., winding to ambient
Rated Current	5 - 45 A @ Ta 45 °C	Climatic Category	25/100/21 acc. to IEC 60068-1
Power Operating Frequency	50Hz	Allowable Operation Temp.	-25 °C to 100 °C
Terminal Type	THT, Flexible wire		
Weight	149 - 1423g		
Material: Housing	UL 94V-0		
Sealing Compound	UL 94V-0		

Detailed information on product approvals, code requirements, usage instructions and detailed test conditions can be looked up in [General Product Information](#)

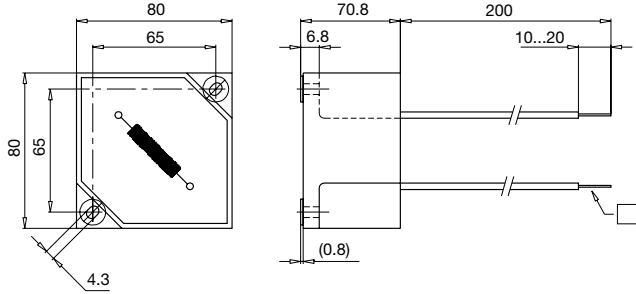
**Dimension**

Case 25W

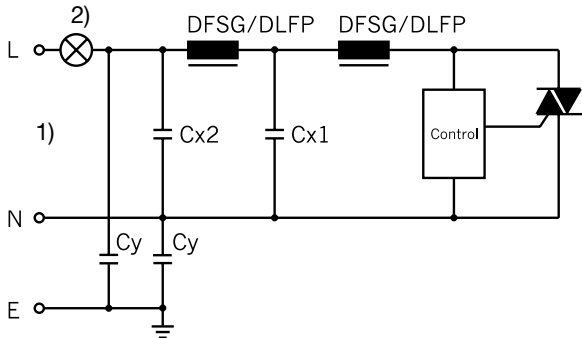
Case 47W



Case 32W

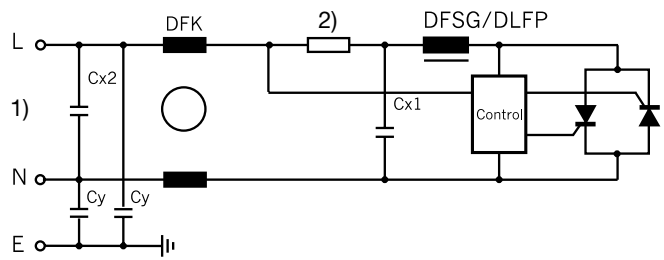


Diagrams



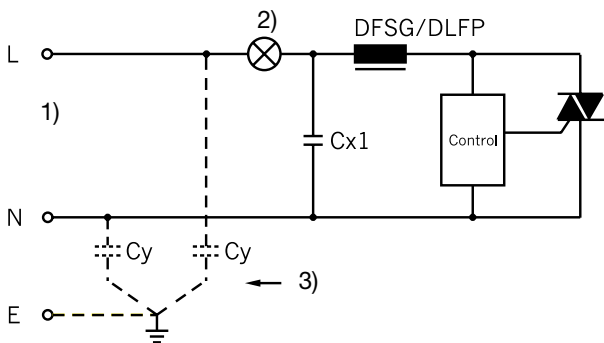
Interference suppression with resistive load, 2-phase

- 1) Line
- 2) Load



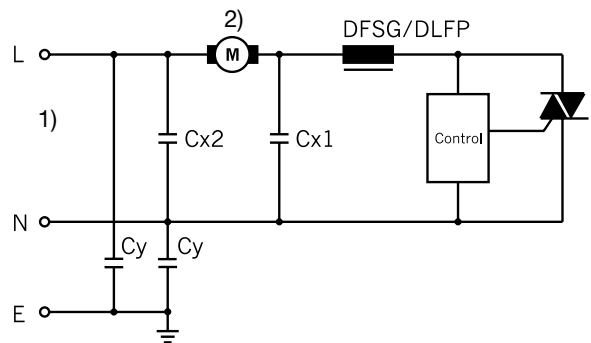
Interference suppression with resistive load, 2-stage

- DFSG: Radio interference suppression saturation choke
- DFK: Radio interference suppression choke magnetically condensated
- 1) Line
- 2) Load



Interference suppression with resistive load, < 10A, e.g. dimmers circuit (DFSG)

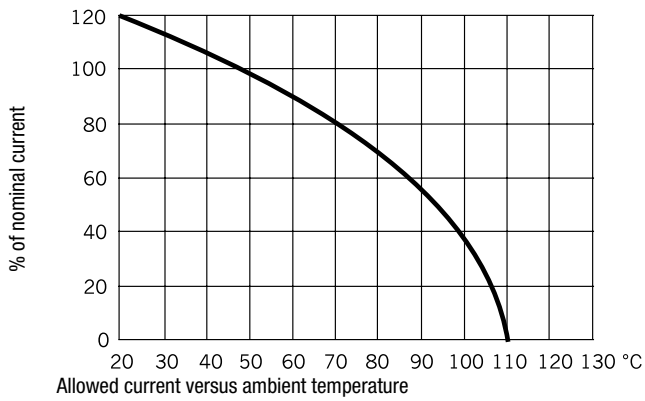
- 1) Line
- 2) Load
- 3) only to protection class I



Interference suppression with inductive load

- 1) Line
- 2) Load

### Derating Curves



### All Variants

$I_n$ [A]	$L_n$ [mH]	Inductance drop max [%]	$R_{cu}$ [mΩ]	Tripped Power Dissipation	$f_{RES}$ [MHz]	Cx [μF]	Copper ø [mm]	Weight [g]	Housings	Packing unit [pcs.]	Order Number
5	1	60	120	3	0.8	0.047	1	149g	25W	10	<a href="#">DLFP-0125-0501</a>
8	0.5	60	54	3.5	1.32	0.1	1.25	150g	25W	10	<a href="#">DLFP-0125-08D5</a>
45	0.2	70	6	12	1.1	1	5	1423g	32W	2	<a href="#">DLFP-0132-45D2</a>
12	0.5	60	38	5.5	1.16	0.1	1.7	350g	47W	6	<a href="#">DLFP-0147-12D5</a>
16	0.3	60	25	6.4	1.69	0.22	1.8	320g	47W	6	<a href="#">DLFP-0147-16D3</a>
25	0.15	60	10	6.3	2.5	0.47	2.36	350g	47W	6	<a href="#">DLFP-0147-25D2</a>
35	0.05	60	5.3	6.5	3.5	1.5	1.5 x 4.5	338g	47W	6	<a href="#">DLFP-0147-35C5</a>

Most Popular.

Availability for all products can be searched real-time: <http://www.schurter.com/en/Stock-Check/Stock-Check-SCHURTER>

Inductance drop at  $I_n$