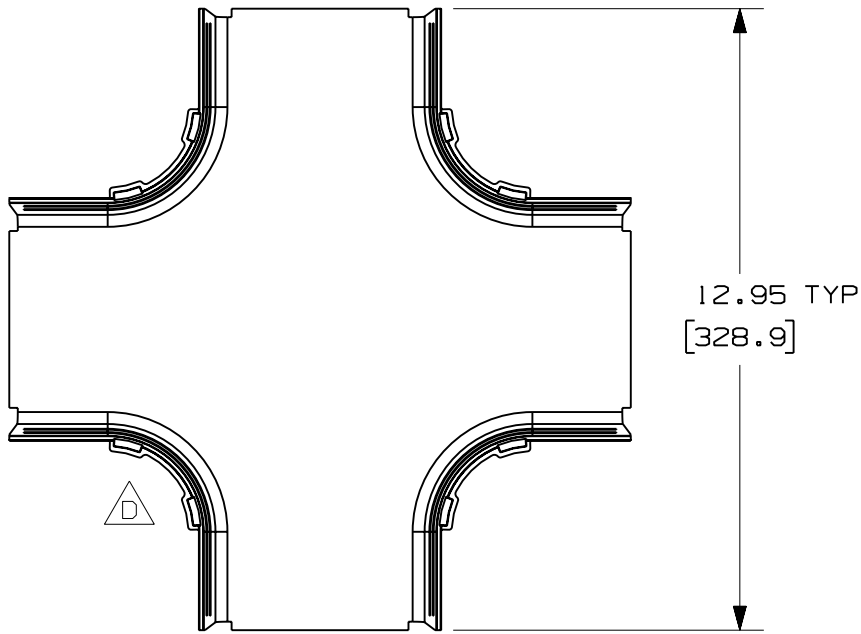


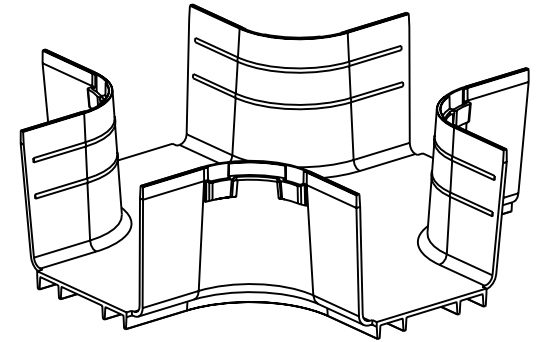
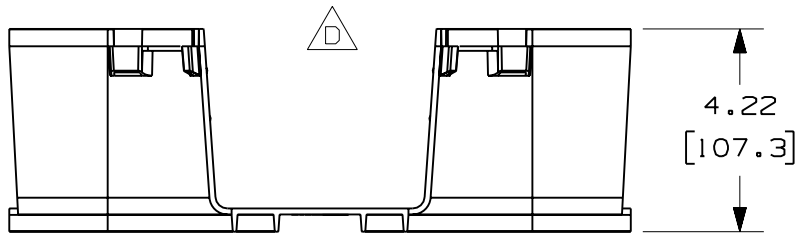
THIS COPY IS PROVIDED ON A RESTRICTED BASIS AND IS NOT TO BE USED IN ANY WAY DETRIMENTAL TO THE INTERESTS OF PANDUIT CORP.



**NOTES:**

1. SEE CURRENT CATALOG FOR ADDITIONAL PART SUFFIXES TO INDICATE COLOR AND/OR PACKAGE QUANTITY.
2. THE FIBERRUNNER 4x4 FOUR-WAY CROSS FITTING IS DESIGNED WITH A MINIMUM 2" (50.8) BEND RADIUS TO PROTECT FIBER OPTIC CABLES.
3. DIMENSIONS IN PARENTHESES ARE IN METRIC.

PANDUIT PART NUMBER	WEIGHT
FRFWC4X4	1.20 LB/EACH (542g/EACH)



ENG. REF.: D37847BK\_DC\_FRFWC4X4\_01.prt

CAD FILENAME/LAYERS		<b>A</b> FRFWC4X4.pdf
<b>PANDUIT</b> CORP		TINLEY PARK, ILLINOIS
<b>FIBERRUNNER 4x4 FOUR-WAY CROSS FITTING (FRFWC4X4)</b> CUSTOMER DRAWING		
UNLESS OTHERWISE SPECIFIED, DIMENSIONAL TOLERANCES ARE: (.X) ± (XXX) ± (.XX) ± .03 (.8) ANGLES ±		UNLESS OTHERWISE SPECIFIED, ALL DIMENSIONS ARE GIVEN IN INCHES, THIRD ANGLE PROJECTION.
DRAWN BY: JHNU	MAT'L: ABS	SCALE: NONE
DATE: 7-16-01		DRAWING NO. 37847-58
CHK'D: RPA		DWG SIZE: A

REV	DATE	BY	CHK	DESCRIPTION	ECN	R	CUST	SUP	GMBH
-	-----	---	--	E. REVISED GENERAL NOTES	-----	--	--		
-	-----	---	--	D. REVISED DRAWING VIEWS C. REVISED PART WEIGHT	-----	--	--		
1	6-27-06	DTP	RN	B. REVISED DRAWING TITLE A. REVISED CAD FILENAME	38747-58	RN	RN		
R	7-16-01	JHNU	RPA	RELEASED TO PRODUCTION	37847-58	HIW	HIW		