

## KGS-MSTB 2,5/21

Order No.: 1805628

The illustration shows an 8-position version

<http://eshop.phoenixcontact.de/phoenix/treeViewClick.do?UID=1805628>Cable housing, Number of positions: 21, Dimension a: 105 mm, Color:  
green

Commercial data	
EAN	4017918046637
Pack	10 pcs.
Customs tariff	85472000
Weight/Piece	0.02963 KG
Catalog page information	Page 194 (CC-2005)

**Product notes**WEEE/RoHS-compliant since:  
01/01/2003

<http://www.download.phoenixcontact.com>  
Please note that the data given here has been taken from the online catalog. For comprehensive information and data, please refer to the user documentation. The General Terms and Conditions of Use apply to Internet downloads.

**Accessories**

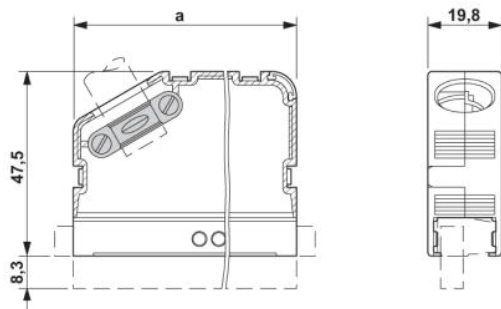
Item	Designation	Description
<b>Cable/conductor</b>		
1804658	KD-KGS-MSTB	Molded cable strain relief, suitable for KGS-... cable housings, prevents the cable from being bent

**Marking**

1784914	KGS-MSTB 2,5/ DST	Transparent label carrier, can be marked with marker strips SBS 2.5/7.5
1007604	SBS 2,5/7,5	Marker strips, unprinted, for individual labeling, perforated, white plastic, 10-section, lettering field size: 15 x 7.5 mm

**Diagrams/Drawings**

Dimensioned drawing



**Address**

PHOENIX CONTACT Inc., USA  
586 Fulling Mill Road  
Middletown, PA 17057, USA  
Phone (800) 888-7388  
Fax (717) 944-1625  
<http://www.phoenixcon.com>



© 2010 Phoenix Contact  
Technical modifications reserved;