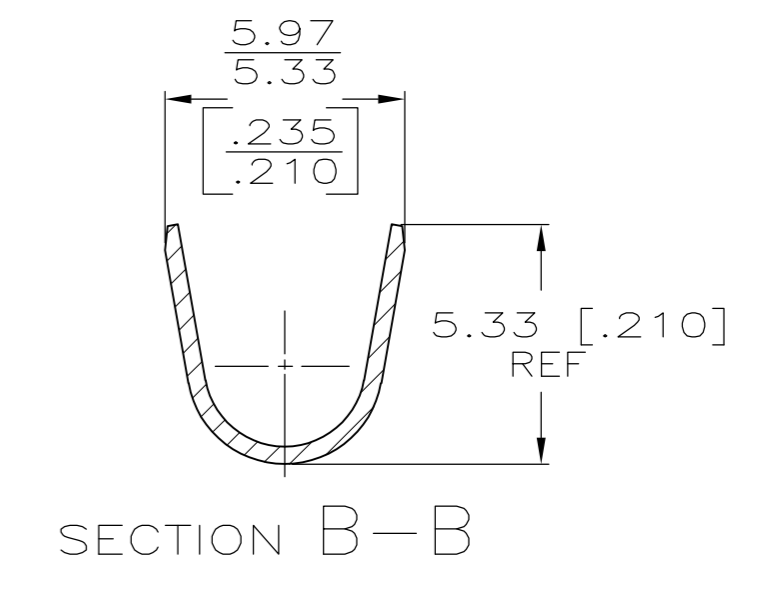
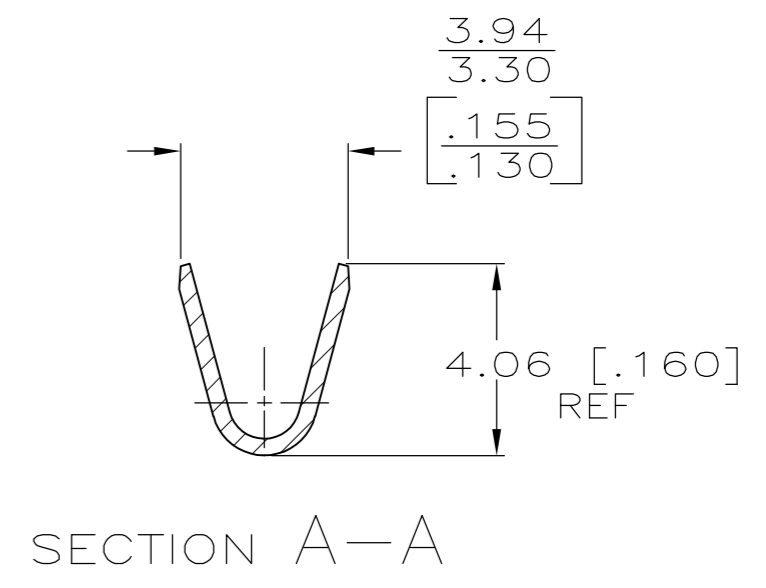
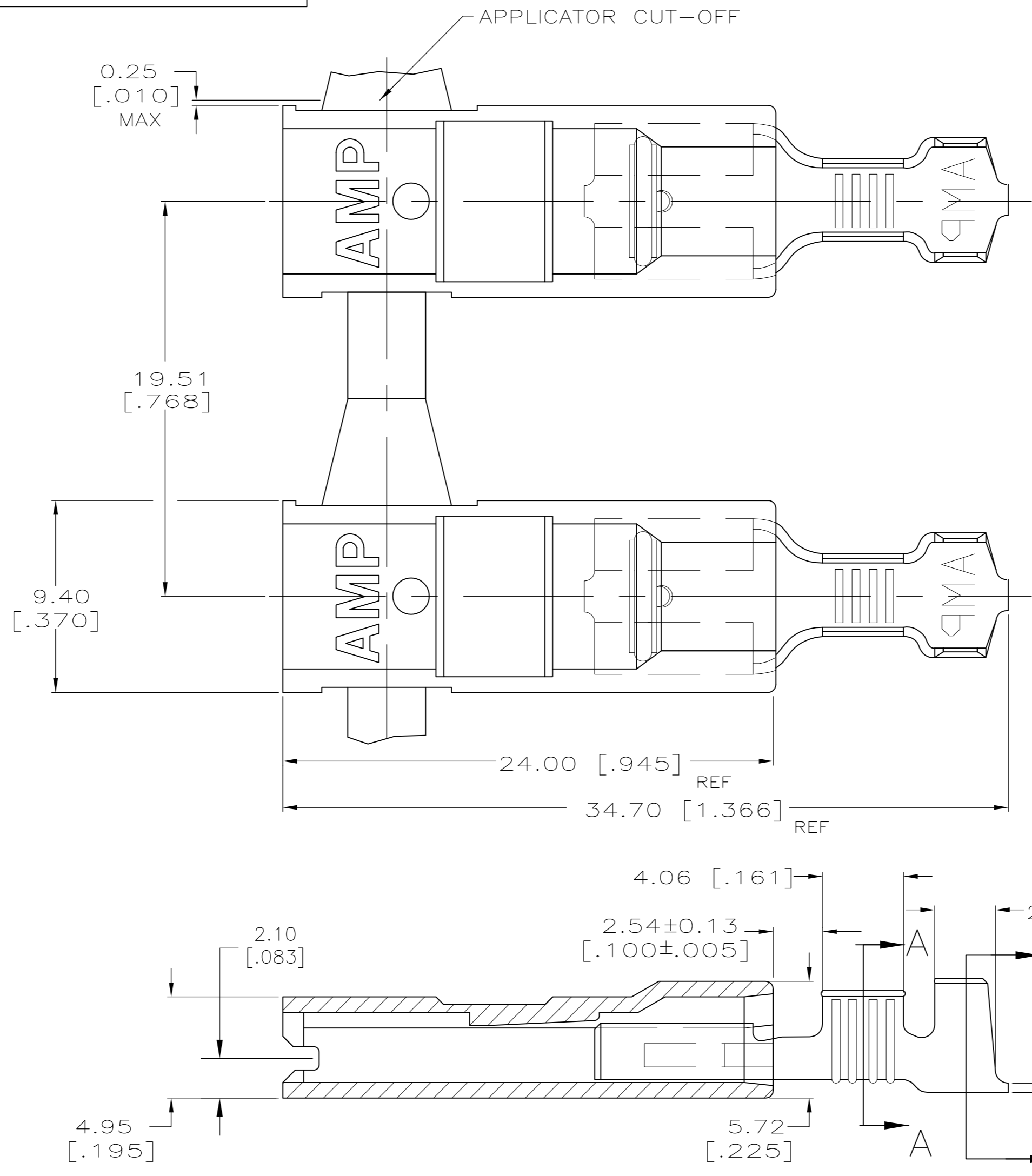


THIS DRAWING IS UNPUBLISHED. RELEASED FOR PUBLICATION  
 © COPYRIGHT - By - ALL RIGHTS RESERVED.

REVISIONS				
P	LTR	DESCRIPTION	DATE	APVD
D3		REVISED PER ECR-15-016360	10MAR2016	NK LP



1 BUDGET FASTON TERMINALS, BASE.  
 P/N 63884, ARE USED IN THIS PRODUCT.

OBSOLETE	BULK	2.79-4.32 [.110-.170]	0.8-2.0 mm <sup>2</sup> [18-14]	0.813 [.032]	-5-521094-1-
	STANDARD				521094-1
	PACKAGING				INSULATION RANGE
THIS DRAWING IS A CONTROLLED DOCUMENT.		DWN	JR RUTH	11/27/95	 TE Connectivity ASSEMBLY, ULTRA-POD, RECEPTACLE, 6.35 [.250] SERIES
DIMENSIONS: INCHES		CHK	MS FEHER	11/27/95	
TOLERANCES UNLESS OTHERWISE SPECIFIED:		APVD	D BRATINA	11/27/95	
0 PLC ± - 1 PLC ± - 2 PLC ± - 3 PLC ± 0.25 [.010] 4 PLC ± - ANGLES ± -		PRODUCT SPEC	108-1285	APPLICATION SPEC	
MATERIAL		FINISH		WEIGHT	SIZE
HOUSING - 6/8 NYLON TERMINAL - 4M HARD BRASS		HOUSING - NATURAL TERMINAL - PLAIN		CUSTOMER DRAWING	CAGE CODE
				SCALE	5:1
				SHEET	1 of 1
				REV	D3