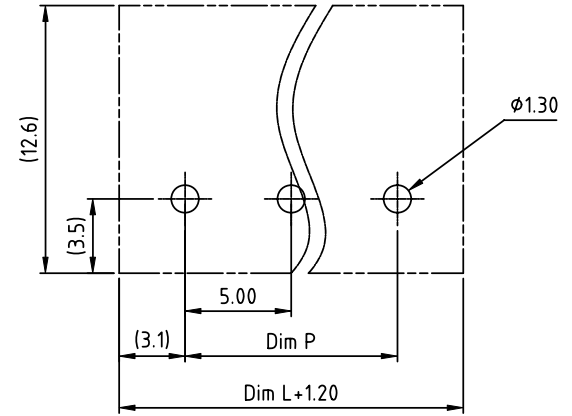
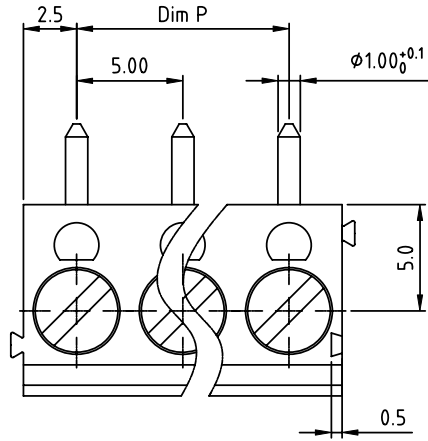
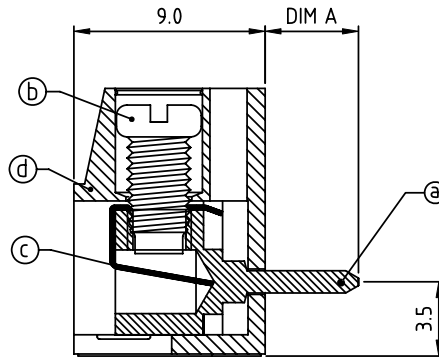
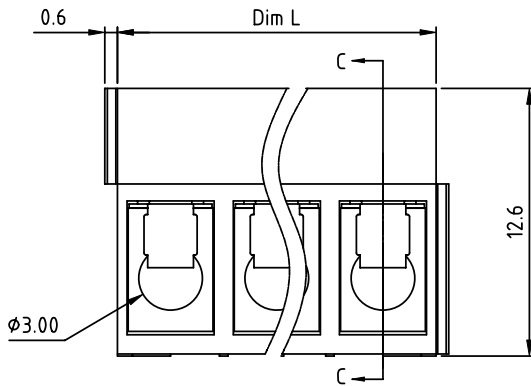


PRODUCT NUMBER	PITCH
TBxx01xx00J0G	5.00mm



RECOMMENDED P.C.B LAYOUT
TOP VIEW



SECTION C-C

Material:

- Item (a) Terminal body (metal housing): Brass (CuZn), Tin plated
- Item (b) Terminal screw: Steel Zinc plating "-" slot type
- Item (c) Wire guard: stainless steel
- Item (d) Terminal (housing): Thermoplastic (UL94V-0)

Electrical UL /CSA

- Voltage rating: 250VAC/250VAC
- Current rating: 16A/16A
- Wire range:
 - Solid wire (AWG): 14/14-22
 - Stranded wire (AWG): 14/14-22
- Torque: 3.0kgf.cm/4.0kgf.cm
- Screw: M3
- Wire strip length: 6-7mm
- Withstanding Voltage: 1.5KV/1.5KV
- Operating temperature: -40°C to +115°C
- Soldering temperature: 260°C ± 5°C / 5 Sec
- Safety Approval:

PART NO.: TB xx 01 x x 00J0 G

N=Number of poles
Dim L=Nx5.0
Dim P=(N-1)x5.0

Poles	2P-6P	7P-12P	13P-18P	19P-24P
Dim L	±0.15	±0.25	±0.35	±0.45
Dim P	±0.10	±0.15	±0.25	±0.35

End stackable	No. of poles	Body Color	DIM A Length	RoHS compliant
0	2	Black (RAL9005)	0	4.4mm (lead<4%)
02	2 poles	Red (RAL3001/D)	1	3.8mm In copper Alloy
03	3 poles	Orange (RAL2011/P)	2	3.5mm
...	...	Yellow (RAL1018/A)
...	...	Green (RAL6018/T)
24	24 poles	Blue (RAL5015/A)
		Grey (RAL7035/D)
		White (RAL1102)
		Green (RAL6018/U)

mat'l. code		surface ASME Y14.5	tolerance ASME Y14.5	projection	product family TERMINAL BLOCK
ltr	ecn no	dr	date	tolerances unless otherwise specified	title TERMINAL BLOCK
				angles MM	WIRE PROTECTOR, 90D WIRE INLET
				scale	scale
		dr	EVIN ZHONG	033114	dwg no
		enr	EVIN ZHONG	033114	sheet 1 of 1
		chr	HANKE FENG	033114	size A4
		appd	SHI JUN	033114	type CUSTOMER Drawing
sheet index	revision sheet	A	1		