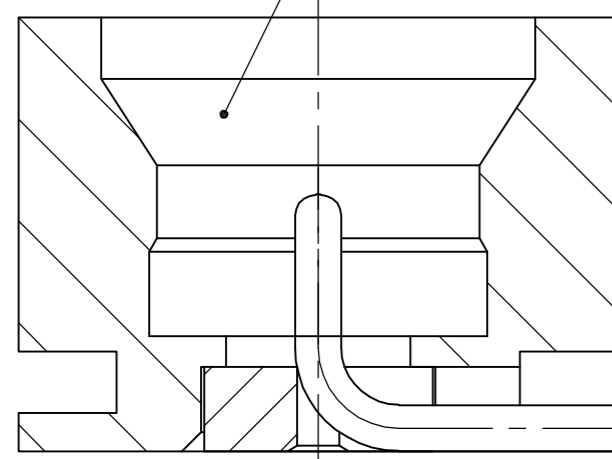


THIS DRAWING IS UNPUBLISHED.		RELEASED FOR PUBLICATION
© COPYRIGHT BY TYCO ELECTRONICS CORPORATION. ALL RIGHTS RESERVED.		
COMPONENT	MATERIAL	FINISH
HOUSING	BRASS PER ASTM-B16	GOLD PLATED PER ASTM-B-488 TYPE 3, CODE C, CLASS 1.25
DIELECTRIC	POLYAMIDE IMIDE PER MIL-R-46179	-
PIN	BERYLLIUM COPPER PER ASTM B196	GOLD PLATED PER ASTM-B-488 TYPE 3, CODE C, CLASS 1.25

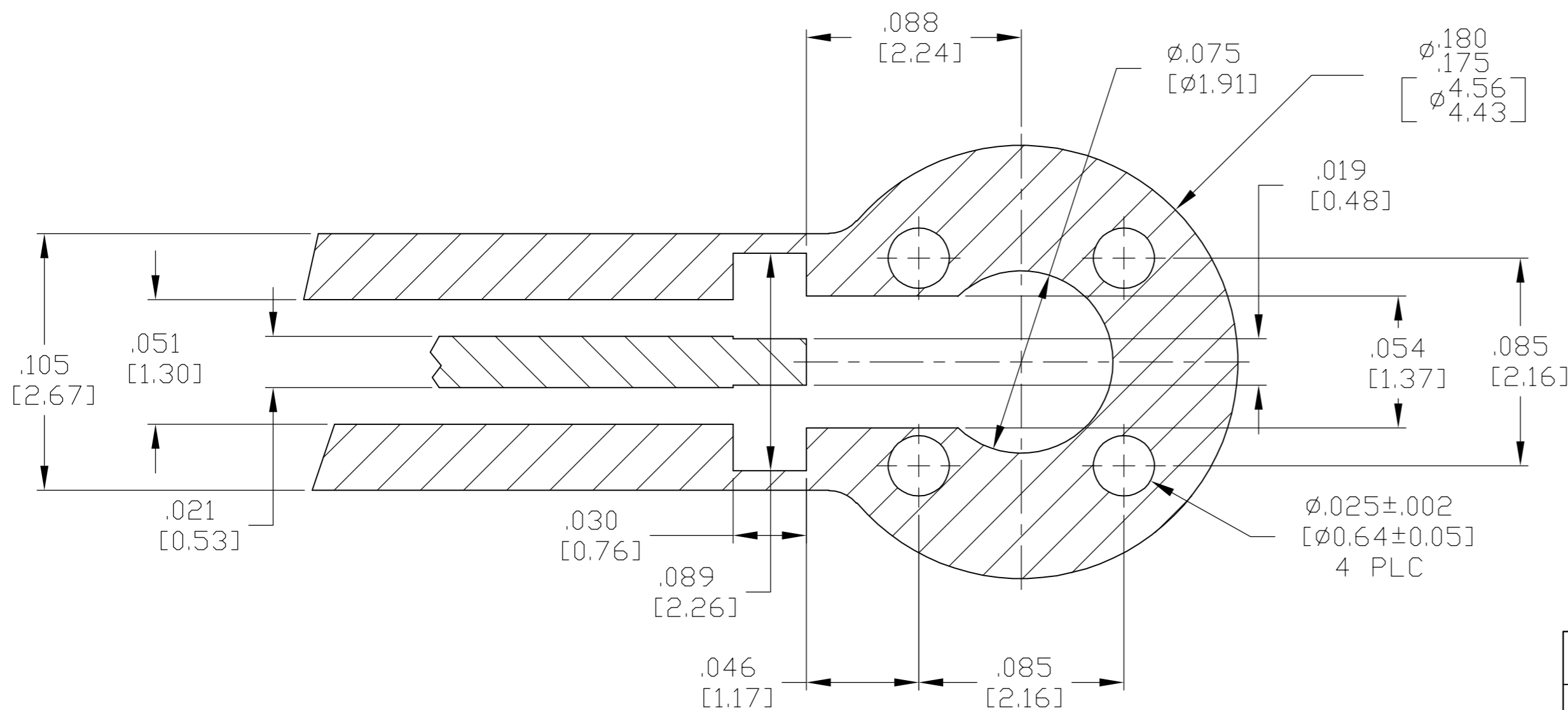
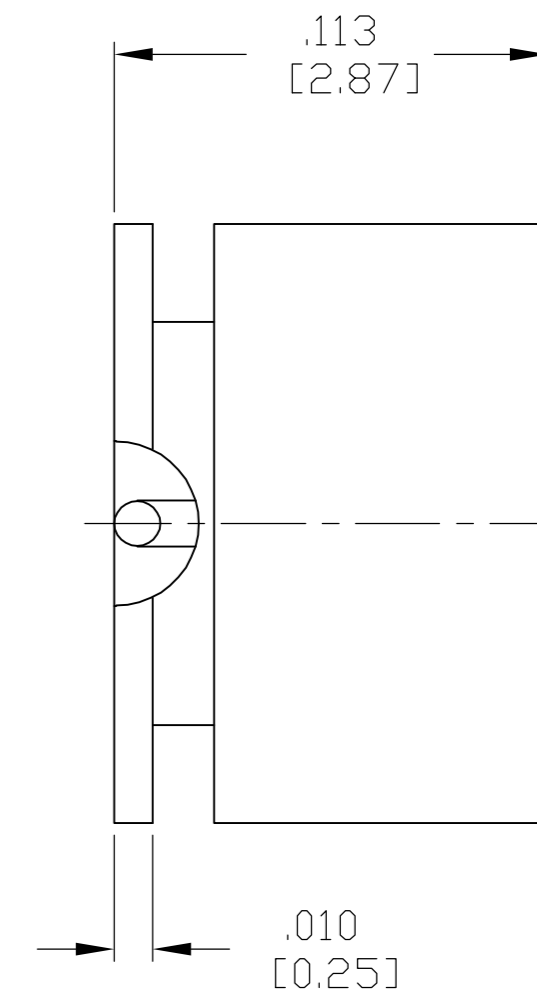
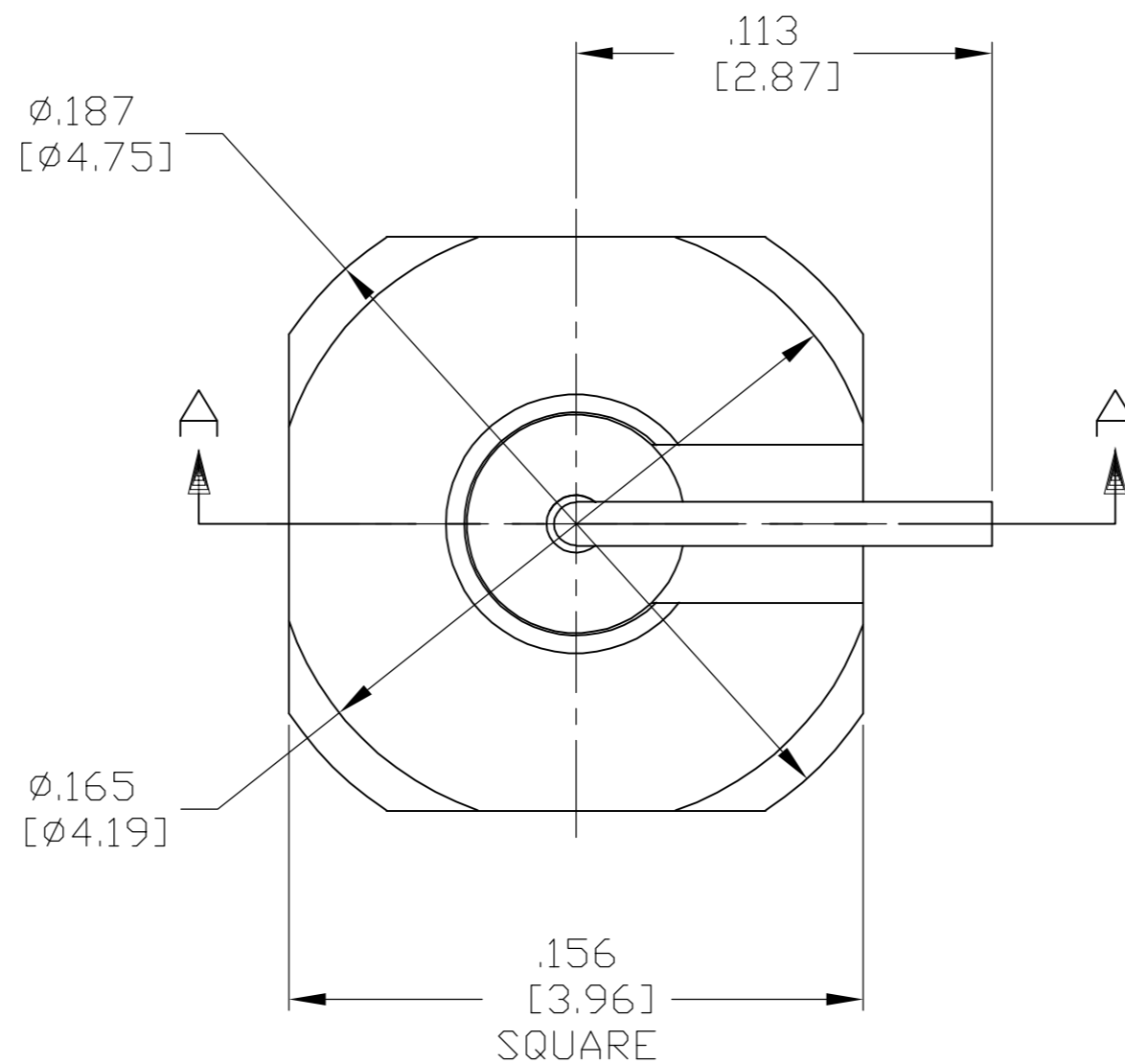
LOC	DIST	REVISIONS					
DF	X0	P	LTR	DESCRIPTION	DATE	DWN	APVD
		C		REV PER ECO 07-003624	2-28-07	CT	RG

SMPM MALE FULL DETENT INTERFACE PER MIL-STD-348A



SECTION A-A

$\phi.012 \pm .001$
[0.30 ± 0.03]



RECOMMENDED P.C.BOARD LAYOUT

1757254-1
PART NUMBER

THIS DRAWING IS A CONTROLLED DOCUMENT.		DWN C.C.THOMAS 6-2-05	Tyco Electronics Corporation Harrisburg, Pa 17105-3608	
DIMENSIONS: INCHES [mm]		CHK R.GROSS 6-2-05		
TOLERANCES UNLESS OTHERWISE SPECIFIED:		APVD R.GROSS 6-2-05	NAME SMPM PCB SURFACE SURFACE MOUNT CONNECTOR, FULL DETENT	
0 PLC ± -	1 PLC ± -	PRODUCT SPEC	SIZE A2	CAGE CODE 00779
2 PLC ± -	3 PLC ± .005 [0.13]	APPLICATION SPEC	DRAWING NO C=1757254	RESTRICTED TO -
4 PLC ± -	ANGLES ± -	FINISH	WEIGHT -	SCALE 20:1
MATERIAL SEE TABLE	FINISH SEE TABLE	CUSTOMER DRAWING	SHEET 1 OF 1	REV C