

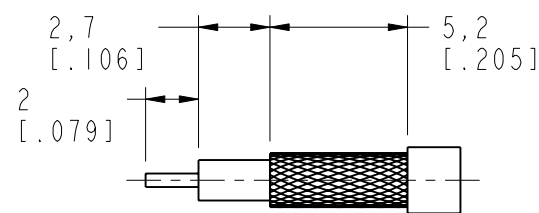
NOTE

1. MATERIALS AND FINISHES:
 BODY, BARREL, LOCK WAHSER & HEX NUT - BRASS, GOLD PLATING
 CONTACT - BeCu, GOLD PLATING
 INSULATOR - PTFE, NATURAL
 FERRULE - COPPER TUBING, GOLD PLATING
2. ELECTRICAL:
 A. IMPEDANCE: 50 OHM
3. MECHANICAL:
 A. DURABILITY: 500 CYCLES MIN.
 B. TEMPERATURE RANGE: -65°C TO + 165°C
4. CRIMPED FERRULE WITH .151" HEX
5. CONTACT PIN TO SOLDER
6. PACKAGING:
 A. QUANTITY: SINGLE PACK
 B. BAG TO BE MARKED:
 AMPHENOL RF
 252147
 DATE CODE

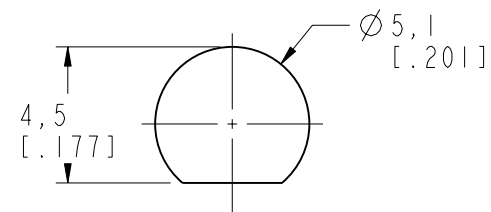
THIRD ANGLE PROJ.

REVISIONS

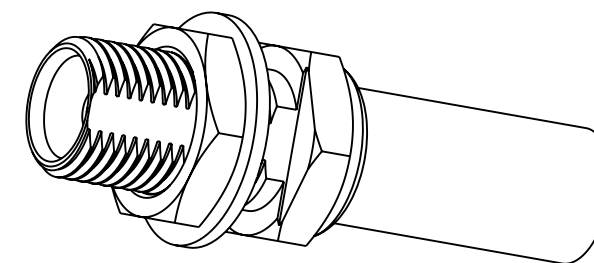
REV	DESCRIPTION	DATE	ECO	APPR
A	RELEASE TO MFG.	07-Jun-01		--
C	REDRAWN IN PROE & SYNCH THE DRAWING /RD-DM16071101S7	20-Jul-16	01228	SC



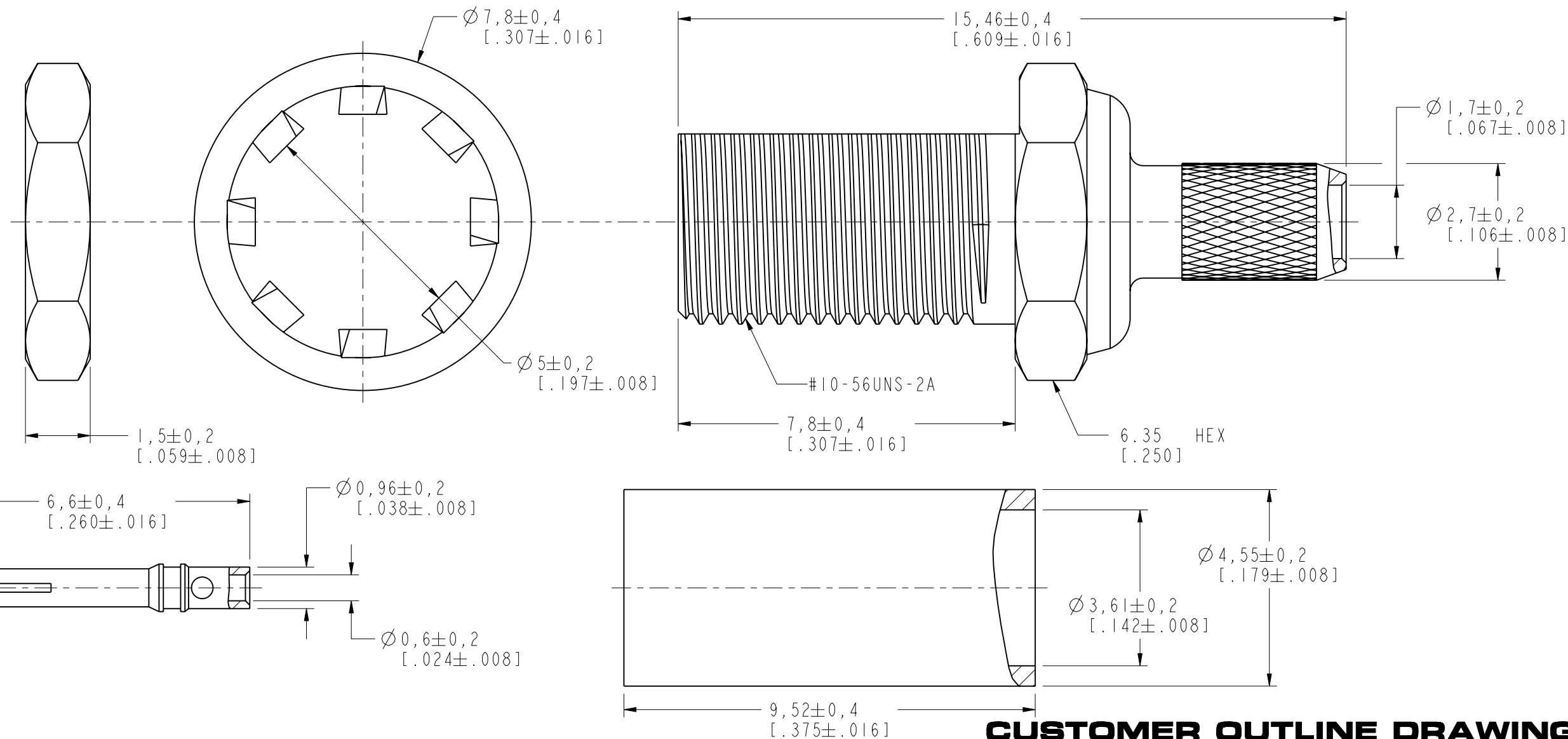
RECOMMENDED CABLE STRIPPING DIM'S



RECOMMENDED MOUNTING HOLE



SCALE 4.000



CUSTOMER OUTLINE DRAWING
 ALL OTHER SHEETS ARE FOR INTERNAL USE ONLY

UNLESS OTHERWISE SPECIFIED, DIMENSIONS ARE IN METRIC AND TOLERANCES ARE: <0.5mm ±0.05mm 0.5 - 6mm ±0.1mm 6 - 30mm ±0.2mm 30 - 120mm ±0.3mm ANGLES ±1°	MATERIAL	DRAWN STAR	DATE 20-Jul-16	TITLE MCX BULKHEAD CRIMP JACK FOR RG-174/U, 188A/U, 316U/D	Amphenol RF www.amphenolrf.com	
	REFERENCE	ENGINEER ROBIN	DATE 07-Jun-01			
	FINISH	APPROVED S. HSIEH	DATE 20-Jul-16	SCALE: 9.0:1.0	SHEET 3 OF 3	DRAWING NO. MCX6421A1-3GT30G-316U/D-50
	NOTICE - These drawings, specifications, or other data (1) are, and remain the property of Amphenol corp. (2) must be returned upon request; and (3) are confidential and not to be disclosed to any person other than those to whom they are given by Amphenol Corp. the furnishing of these drawings, specifications, or other data by Amphenol Corp., or to any other person to anyone for any purpose is not to be regarded by implication or otherwise in any manner licensing, granting rights to permitting such holder or any other person to manufacture, use or sell any product, process or design, patented or otherwise, that may in any way be related to or disclosed by said drawings, specifications, or other data.		CAD FILE	DWG SIZE B	REV C	ITEM NO. 086421AAA35GE5F PART NO. 252147