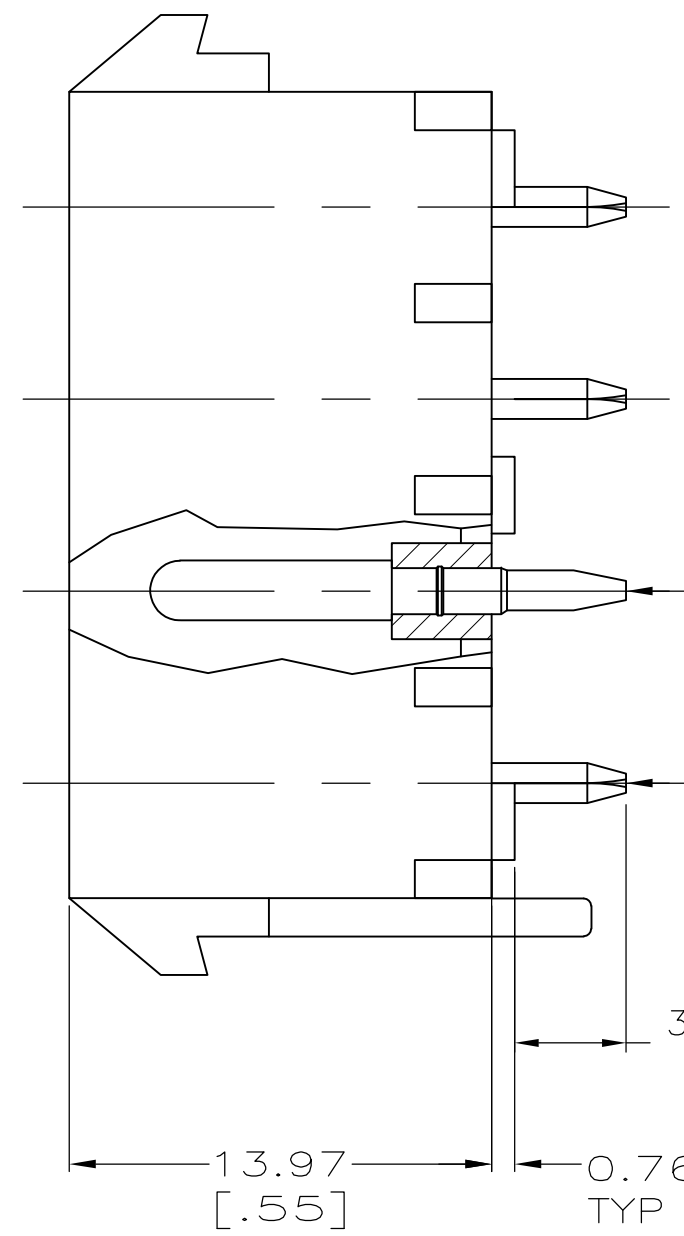
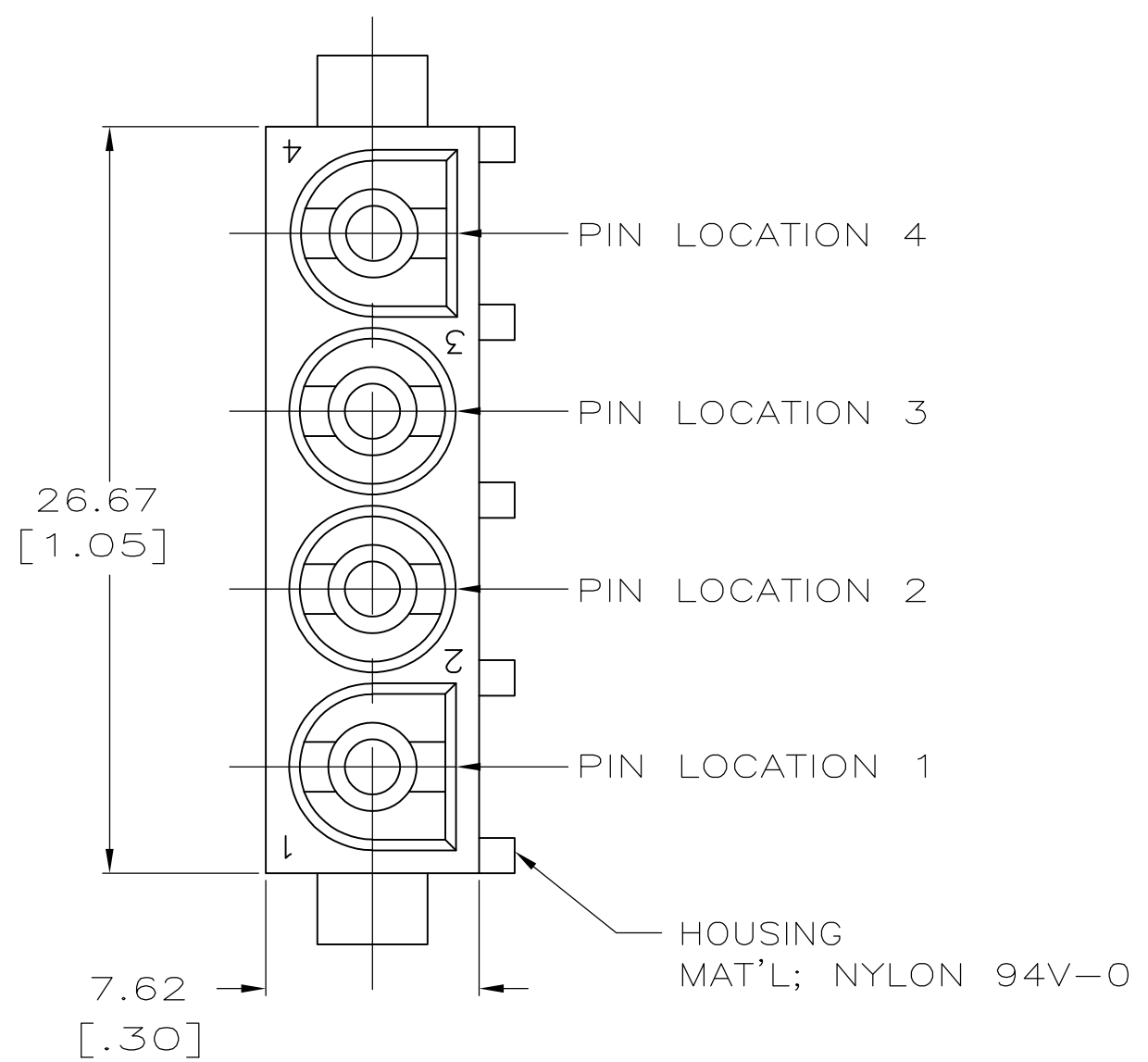
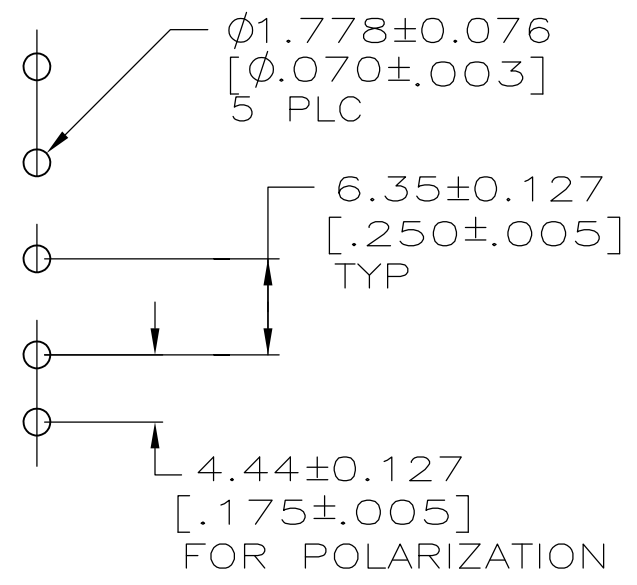


THIS DRAWING IS UNPUBLISHED. RELEASED FOR PUBLICATION
 © COPYRIGHT - BY TYCO ELECTRONICS CORPORATION. ALL RIGHTS RESERVED.

LOC	DIST	REVISIONS					
FT	0	P	LTR	DESCRIPTION	DATE	DWN	APVD
		D1		REVISED PER ECO-06-21510	9/11/06	SS	GS
		D2		REVISED PER ECO-09-024717	05NOV09	KK	AEG



- MATES WITH MATE-N-LOK II PLUG CONNECTOR USING P/N 193797-1 OR 193842-1 SOCKET CONTACT(S) FOR THE HIGH CURRENT PIN(S).
 - ALL DIMENSIONS ARE REFERENCE ONLY EXCEPT P.C. LAYOUT.
- 3 BLUE HOUSING.
 4 OBSOLETE PARTS: OBSOLETE CIS STREAMLINING PER D.RENAUD/D.SINISI



RECOMMENDED LAYOUT FOR
 1.57 [.062] THK P.C. BOARD

194096-2 SHOWN

OBSOLETE	4	S	S	S	PIN LOCATION 4
	3	S	S	S	PIN LOCATION 3
		H	H	H	PIN LOCATION 2
		H	S	S	PIN LOCATION 1
		-5	-3	-2	

THIS DRAWING IS A CONTROLLED DOCUMENT.		DWN R N POLK 29/JUN/95	Tyco Electronics Tyco Electronics Corporation Harrisburg, PA 17105-3608	
DIMENSIONS: mm [INCHES]		CHK -	NAME PARTIAL HIGH CURRENT VERT. PIN HEADER ASSY SELECTIVE LOAD, MATE-N-LOK II, 4 CIRCUIT	
TOLERANCES UNLESS OTHERWISE SPECIFIED:		APVD -	PRODUCT SPEC -	
0 PLC ± -		PRODUCT SPEC -	APPLICATION SPEC -	
1 PLC ± -		APVD -	SIZE A3	
2 PLC ± -		PRODUCT SPEC -	CAGE CODE 00779	
3 PLC ± -		APPLICATION SPEC -	DRAWING NO C-194096	
4 PLC ± -		APVD -	RESTRICTED TO -	
ANGLES ± -		PRODUCT SPEC -	SCALE NONE	
FINISH -		APVD -	SHEET 1 OF 1	
MATERIAL -		PRODUCT SPEC -	REV D2	
		APVD -	CUSTOMER DRAWING	