



# 2620K and 2622K Series Non-Relampable Neon Indicator Lights



## Description and Features

**Mounting:** Supplied with push-on speednut SN2089

**Wire Leads:** No. 22 AWG (105°C) 4.40"/4.80" long. Stripped 0.430"/0.570"

**Lens:** Polycarbonate

**Housing:** White Nylon

Underwriters Laboratories (UL) File No.E20356

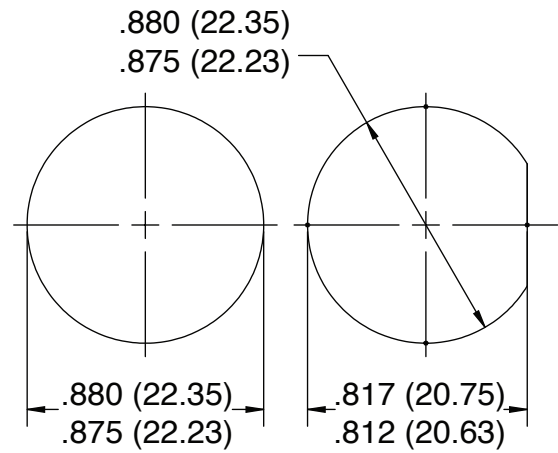
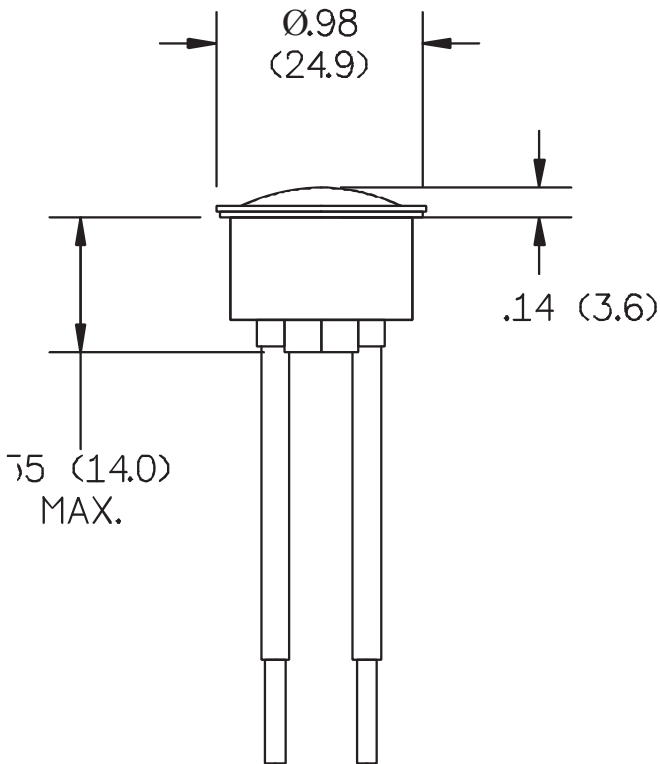
## Ordering Data

Lens Color	Neon
	Model No. (105-125VAC) Wire Leads
Red	2620K 1
Amber	2620K 3
Green	2622K 5*
Lamp used	C 2A+R esistor

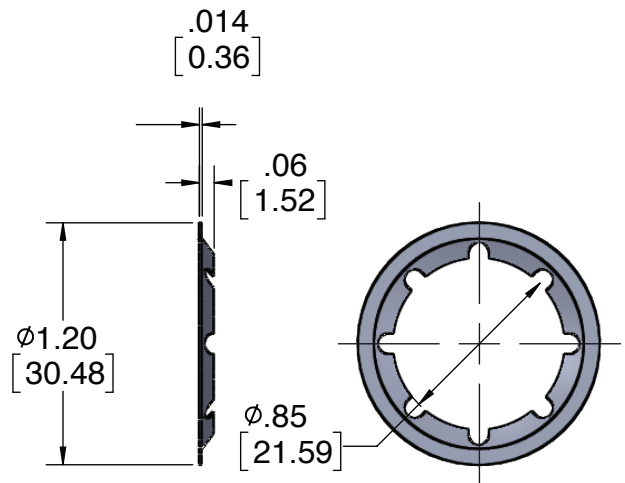
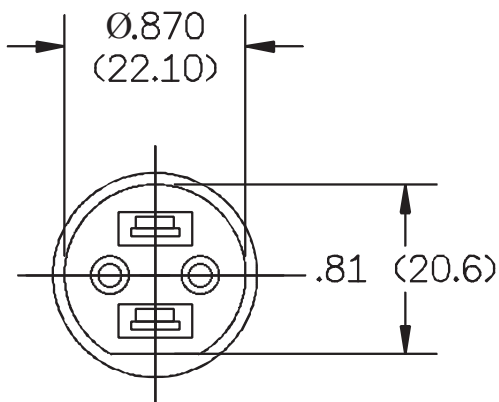
\*Incorporates G2B lamp and resistor

## Product Dimensions

Dimensions in inches [mm]



Optional Mounting Holes



Speednut PT No. SN 2089  
(Supplied) Spring Steel Oil Finish

## Compliances and Approvals

