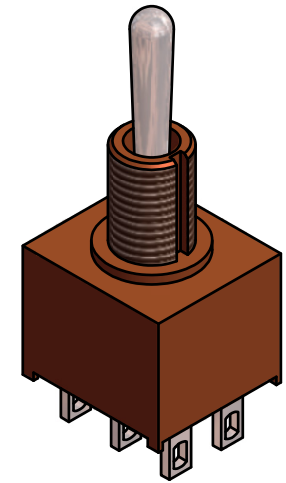
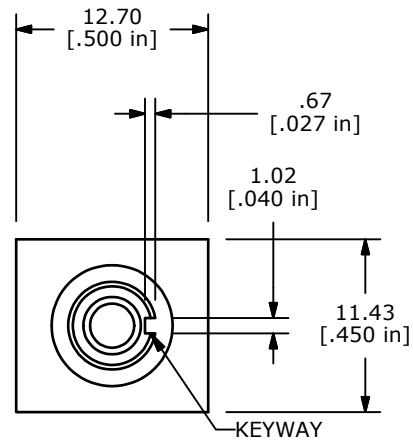
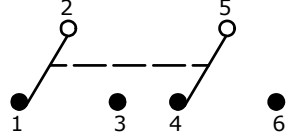


PANEL MOUNTING



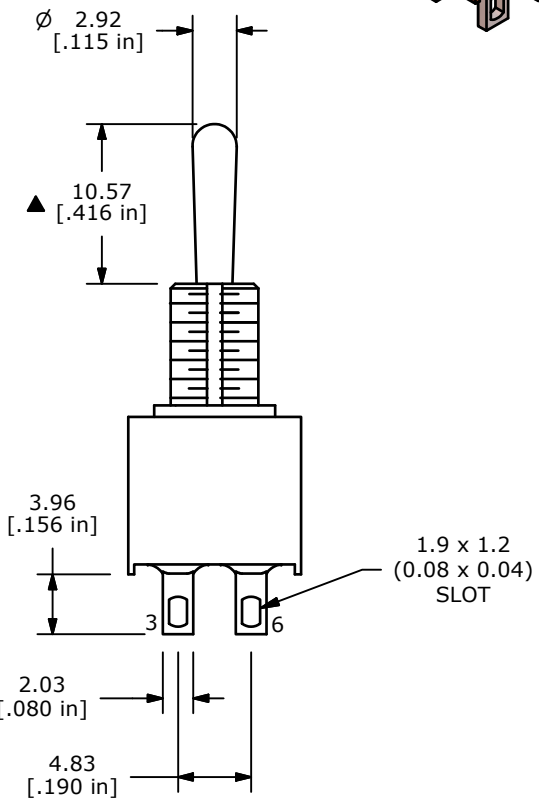
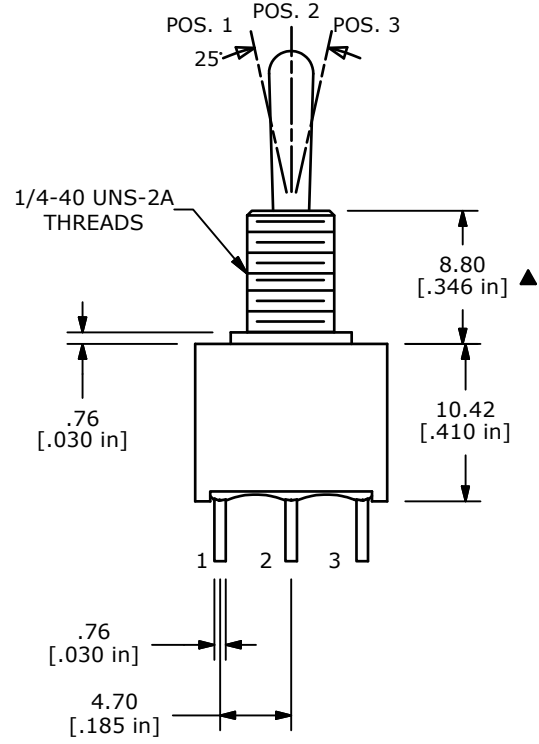
SWITCH FUNCTION		
POS. 1	POS. 2	POS. 3
(ON)	OFF	(ON)
2-3, 5-6	NONE	2-1, 5-4

() DENOTES MOMENTARY FUNCTION



CIRCUIT: DPDT

- NOTE:
1. ALL DIMENSIONS IN MM [INCH]
 2. GENERAL TOLERANCE: X.X=±0.4
X.XX=±0.25
 3. TERMINAL NUMBERS FOR REF ONLY
 - ▲ 4. PLATING MATERIAL: SILVER
 5. RATING: 5A @120VAC OR 28VDC
2A @250VAC
 6. ELECTRIC LIFE: 30,000 MAKE-AND-BREAK CYCLES AT FULL LOAD.
 7. INSULATION RESISTANCE: 1,000 MEGA-OHM MIN.
 8. DIELECTRIC STRENGTH: 1,000 V RMS @SEA LEVEL.
 9. OPERATING TEMP.: -30°C to 85°C
 10. ▲ DENOTES CRITICAL PARAMETER.
 11. HARDWARE TO BE SHIPPED BULK:
T100000 HEX NUT, QTY 2
T100011 LOCKWASHER, QTY 1
T100015 LOCK RING, QTY 1



D	21771	revised function from ON OFF ON	1/21/15	rc
C	21749	Revised and Redrawn	12/30/14	rc
REV	PCR NO	DESCRIPTION	DATE	BY

TITLE 100AWDP4T1B1M1QE H				
SCALE 2:1	DATE 12/30/2014	DR rc	DWG ST102282	REV D

THE INFORMATION CONTAINED IN THIS DOCUMENT IS PROPRIETARY TO E-SWITCH AND IS NOT TO BE COPIED OR TRANSFERRED