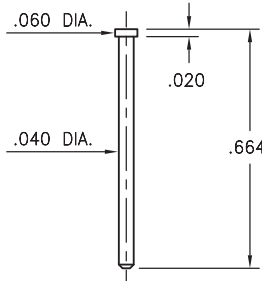
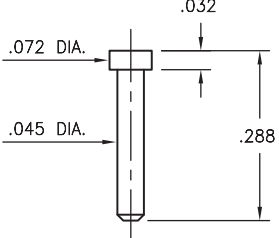
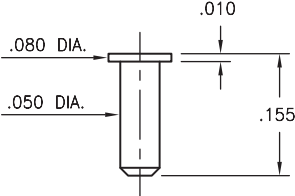
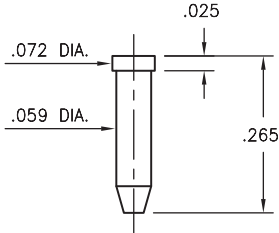
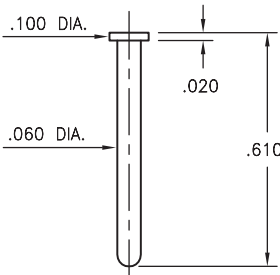
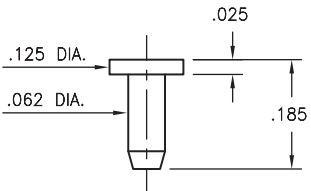
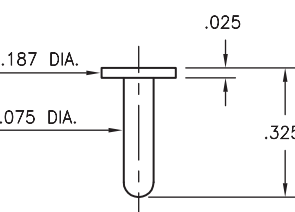
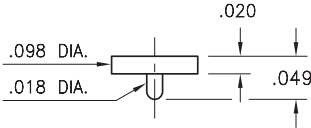
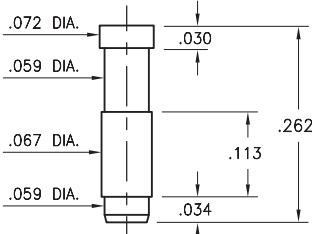


MALE PCB PINS

PRINTED CIRCUIT PINS • NAIL HEAD TYPE

<p>1179 1179-0-00-XX-00-00-33-0 Solder mount in .044 mounting hole</p> 	<p>9872 9872-0-00-XX-00-00-33-0 Solder mount in .049 mounting hole</p> 	<p>2381 2381-0-00-XX-00-00-33-0 Solder mount in .054 mounting hole</p> 	<p>9265 9265-0-00-XX-00-00-38-0 Solder mount in .063 mounting hole</p> 
<p>6142 6142-0-00-XX-00-00-33-0 Solder mount in .064 mounting hole</p> 	<p>9022 9022-0-00-XX-00-00-33-0 Solder mount in .066 mounting hole Also available on 24mm wide carrier tape: 1,500 parts per 13" reel. Order as: 9022-0-57-XX-00-00-33-0</p> 	<p>8086 8086-0-00-XX-00-00-33-0 Solder mount in .079 mounting hole</p> 	<p>4541 4541-0-00-XX-00-00-03-0 Solder mount in .022 mounting hole</p> 
<p>1980 1980-0-00-00-XX-00-03-0 Surface mount, Target Connector Also available on carrier tape: 1,450 parts per 13" reel. Order as: 319-10-1XX-40-080001</p> 			

SPECIFICATIONS:

Pin Material: Brass Alloy 360, 1/2 Hard
 (Except where noted)

Dimensions: Inches

Tolerances On: Lengths: ±.005
 Diameters: ±.002
 Angles: ± 2°



ORDER CODE: XXXX - 0 - 00 - XX - 00 - 00 - XX - 0

BASIC PART # →

SPECIFY PIN FINISH:

- 01 200 μ" TIN/LEAD OVER NICKEL
- ◆ 80 200 μ" TIN OVER NICKEL (RoHS)
- ◆ 15 10 μ" GOLD OVER NICKEL (RoHS)
- ◆ 21 20 μ" GOLD OVER NICKEL (RoHS)
- ◆ 34 50 μ" GOLD OVER NICKEL (RoHS)

