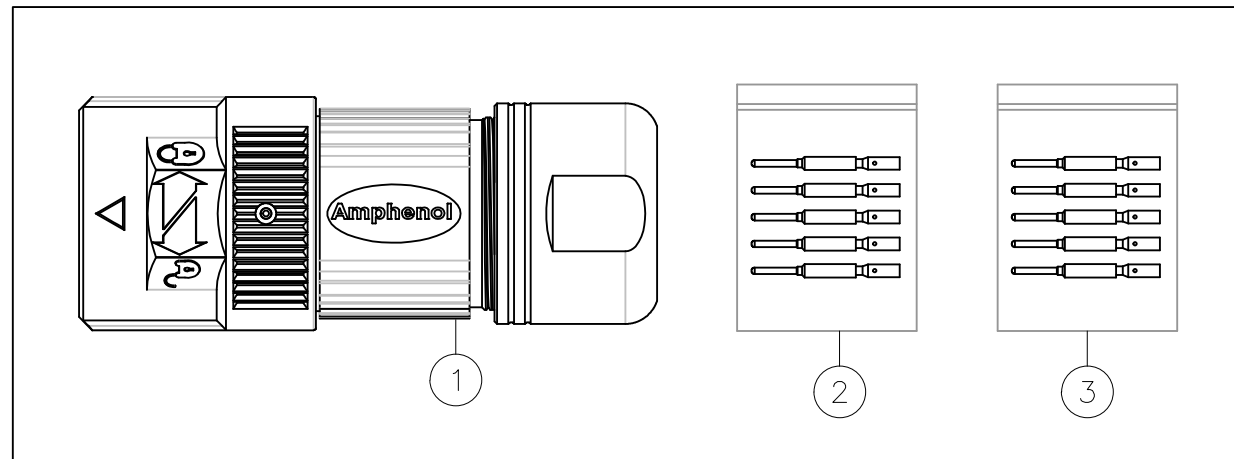
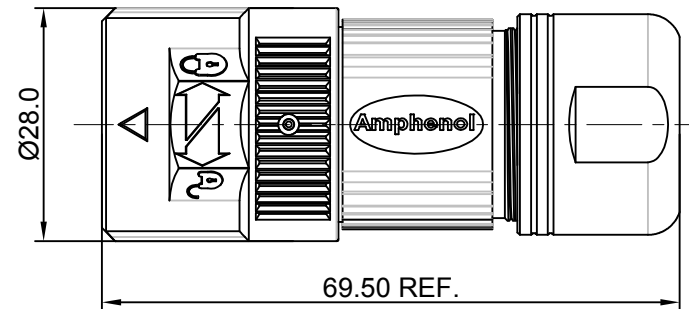
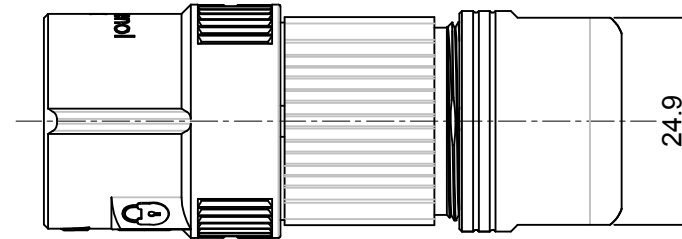
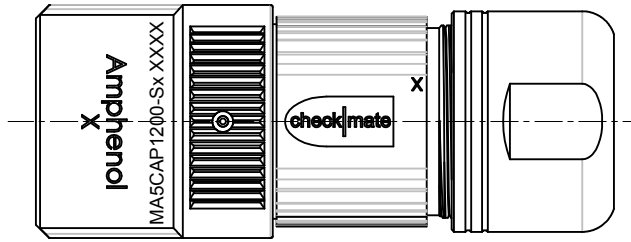
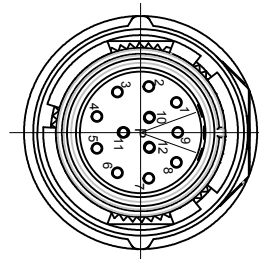


P type, Normal Key



REVISIONS					
REV	ECO	DESCRIPTION	DATE	BY	APPR
A1	-	FIRST RELEASE	Nov.6,2017	White	Tommy

NOTES: UNLESS OTHERWISE SPECIFIED

- MATERIAL:  
 INSULATION INSERT: PA66,UL94 V0  
 SEAL: VITON, EPDM  
 HOUSING BODY: ZINC DIE CAST, NICKEL PLATED  
 COUPLING NUT: ZINC DIE CAST, NICKEL PLATED  
 CONTACT: COPPER ALLOY, GOLD PLATED
- SPECIFICATIONS:  
 2.1 CURRENT RATING: 10 AMPS  
 2.2 VOLTAGE RATING: 160 V AC/DC  
 2.3 CONTACT RESISTANCE: <5 mOHMS  
 2.4 OPERATING TEMPERATURE: -20°C TO +130°C  
 2.5 DIELECTRIC WITHSTANDING VOLTAGE: LESS THAN 2 MILLIAMPS CURRENT LEAKAGE @ 2500 VOLTS AC.  
 2.6 DEGREE OF PROTECTION: IP67 ( MATED CONDITION )  
 2.7 DEGREE OF POLLUTION: 3 PER UL840  
 2.8 OVERVOLTAGE CATEGORY: III PER UL840  
 2.9 MATING CYCLE DURABILITY: >500 CYCLES  
 2.10 RoHS COMPLIANT
- ALL DIMENSIONS ARE FOR REFERENCE USE ONLY.

Item	Part number	Connector P/N	Cable OD Range
1	MA5CAP1200-S1-KIT	MA5CAP1200-S1	4.5~7.5 mm
2	MA5CAP1200-S2-KIT	MA5CAP1200-S2	7.5~11.0 mm
3	MA5CAP1200-S3-KIT	MA5CAP1200-S3	11.0~15.0 mm

12	SC000146	CONTACT, PIN, Ø1.0mm ,Crimp 28~24AWG	3
12	SC000035	CONTACT, PIN, Ø1.0mm, Crimp 22~18AWG	2
1	MA5CAP1200-Sx	CONNECTOR	1
QUANTITY	PART NUMBER	DESCRIPTION	ITEM

UNLESS OTHERWISE SPECIFIED		SIGNATURES		DATE
1) All dimensions are in metric(mm).		DRAWN:	White	Nov.6,2017
2) Tolerances are as follows:		CHECKED:	Tod	Nov.6,2017
1 PL DEC ±0.30   Fractions ±1/64		ENGINEER:		
2 PL DEC ±0.15   Angles ±1°		APPROVAL:	Tommy	Nov.6,2017
3) Note reference =		CUSTOMER:		
MATERIAL SPECIFICATIONS:		THIS DRAWING IS SUPPLIED FOR INFORMATION ONLY. DESIGN FEATURES, SPECIFICATIONS AND PERFORMANCE DATA SHOWN HEREON ARE THE PROPERTY OF THE AMPHENOL CORPORATION. NO RIGHTS OF REPRODUCTION ARE IMPLIED. ALL DIMENSIONS ARE SUBJECT TO NORMAL MANUFACTURING VARIATIONS.		
PROCESS SPECIFICATIONS:		SIZE	TYPE	DWG NO:
NEXT ASSY:		B	C-	MA5CAP1200-Sx-KIT
		SCALE	NONE	REVISION
				A1

# Amphenol

Sine Systems - www.amphenol-sine.com  
 44724 Morley Drive  
 Clinton Township, MI 48036

KIT;M23A,PLUG,STR,12P,P TYPE, CHECKMATE

SCALE: NONE SHEET 1 OF 1

TITLE: KIT;M23A,PLUG,STR,12P,P TYPE, CHECKMATE  
 DWG NO: MA5CAP1200-Sx-KIT  
 REV: A1  
 SH: 1  
 OF: 1