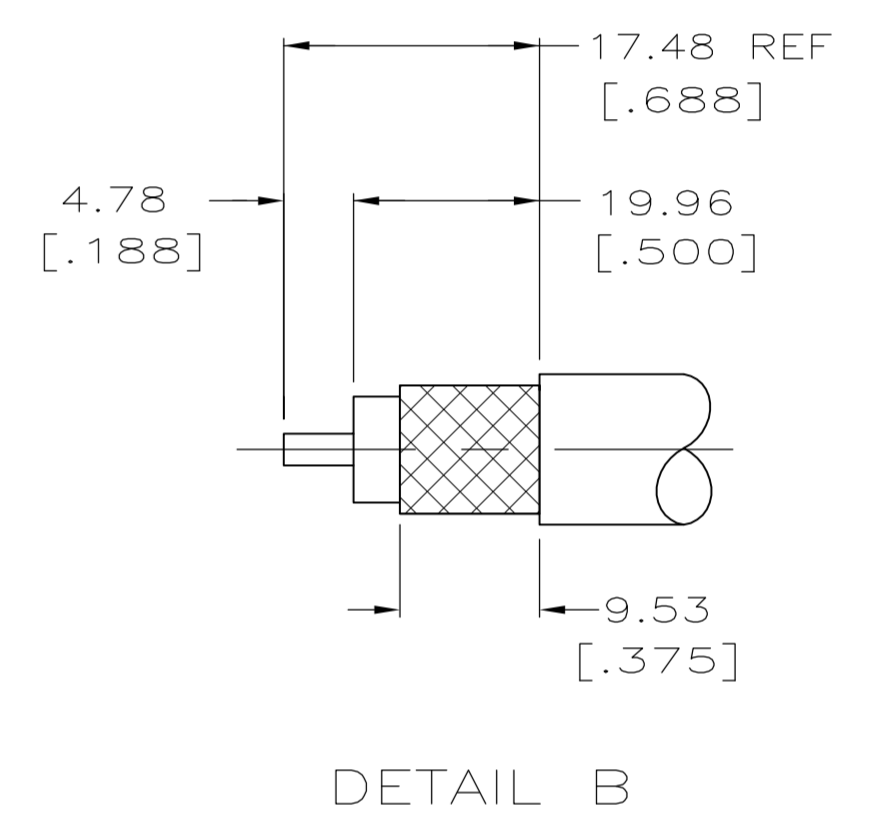
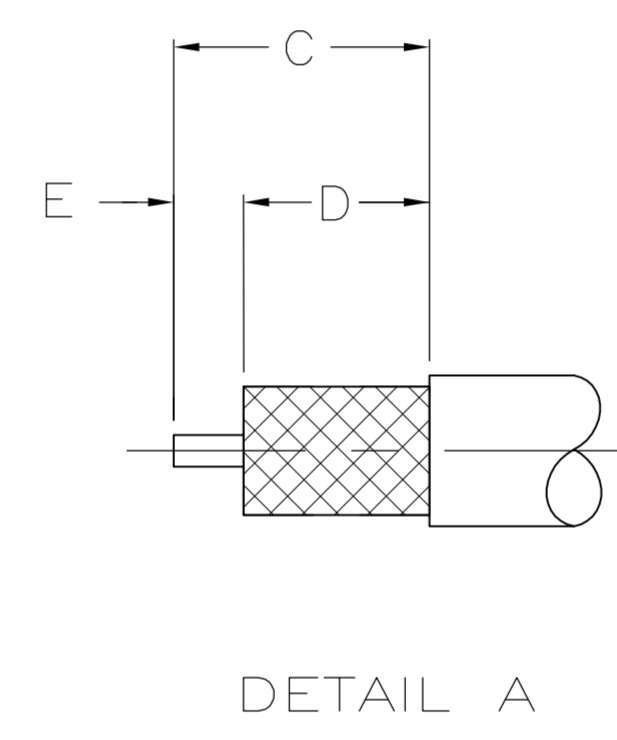


- 1. SEE I.S. #2028-1.
- 2. THIS PART IS RESTRICTED TO AMP FRANCE.
- 3. OBSOLETE PART NUMBER.



RECOMMENDED STRIP LENGTH

	RG-217/U	1-51692-6 AMP	220065-1	X	9.53 [.375]	13.89 [.547]	23.42 [.922]	A	225982-2	225788-4	225981-3	1-51692-6
					SEE SEPERATE RESTRICTED CUSTOMER DRAWING							1-51692-5
	RG-217/U	11400158 AMP	220065-1	Y	9.53 [.375]	13.89 [.547]	23.42 [.922]	A	225982-2	225788-4	225981-1	1-51692-4
SUPERSEDED BY 1-225092-0	RG-217	1-51692-1 AMP	220065-1	X	9.53 [.375]	13.89 [.547]	23.42 [.922]	A	225982-2	225788-4	225981-2	1-51692-1
								A				51692-8
								A				51692-7
OBSOLETE	RG-165	00779 M39012/01B0011 AMP & DATE CODE	220015-1	X				B	51713-2	51695-8	51701-1	51692-6
OBSOLETE	RG-216	00779 M39012/01B0014 AMP & DATE CODE	220015-1	X	4.77 [.188]	12.70 [.500]	17.48 [.688]	A	51713-2	51695-6	51701-1	51692-5
	RG-11A,144	00779 M39012/01B0013 AMP & DATE CODE	220015-1	X				B	9-51713-4	51695-6	51701-1	51692-4
												51692-3
	RG-213	00779 M39012/01B0007 AMP & DATE CODE	220015-1	X				B	9-51713-4	51695-2	51701-1	51692-2
	RG-214	00779 M39012/01B0008 AMP & DATE CODE	220015-1	X	4.77 [.188]	12.70 [.500]	17.48 [.688]	A	9-51713-4	51695-2	51701-1	51692-1
	CABLE SIZE	STAMPING	CRIMPING TOOL	VIEW	E	D	C	DETAIL	3 FERRULE QTY=1	2 CONTACT QTY=1	1 PLUG ASSY QTY=1	PART NUMBER

THIS DRAWING IS A CONTROLLED DOCUMENT.

DIMENSIONS: INCHES	TOLERANCES UNLESS OTHERWISE SPECIFIED:	DWN: N. FRITZ 9-18-90		Tyco Electronics Corporation Harrisburg, PA 17105-3608
0 PLC ± -	1 PLC ± -	CHK: M. SNEED 10-18-90		PRODUCT SPEC: 108-12019
2 PLC ± 0.41 [016]	3 PLC ± -	APVD: -	APPLICATION SPEC: -	PLUG, SERIES N
4 PLC ± -	ANGLES ± -	MATERIAL: -	FINISH: -	SIZE: A1
		WEIGHT: -		DRAWING NO: 00779
				SCALE: 4:1
				SHEET 1 OF 1
				REV S