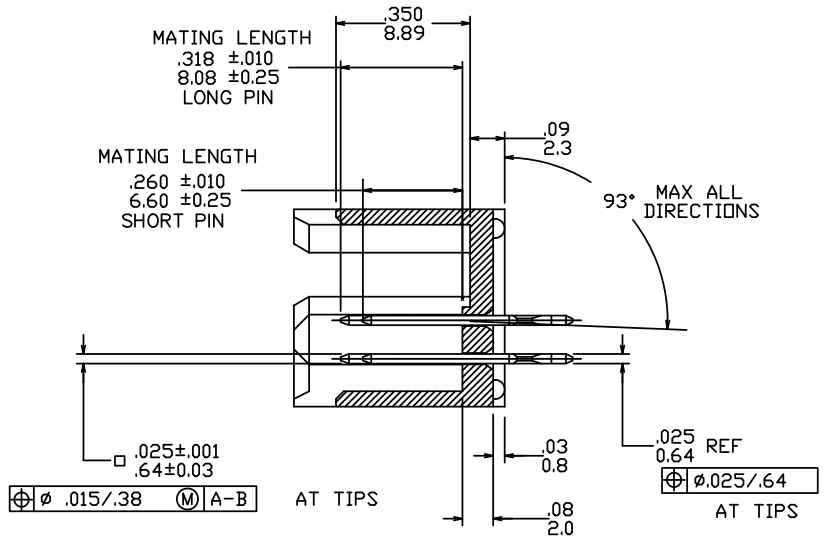
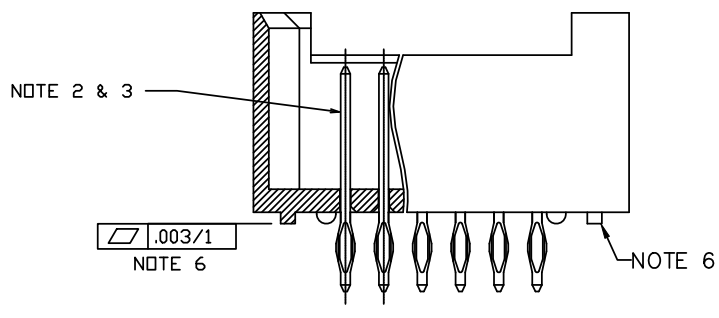
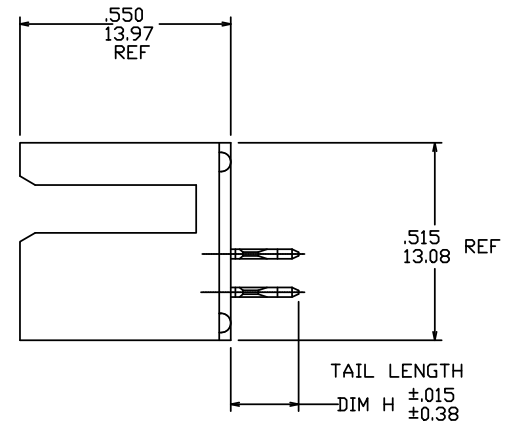
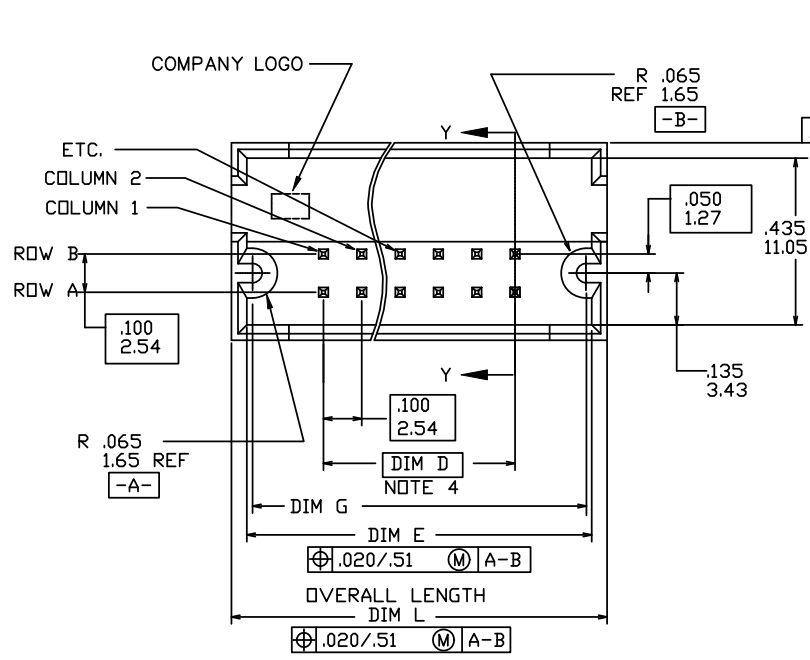


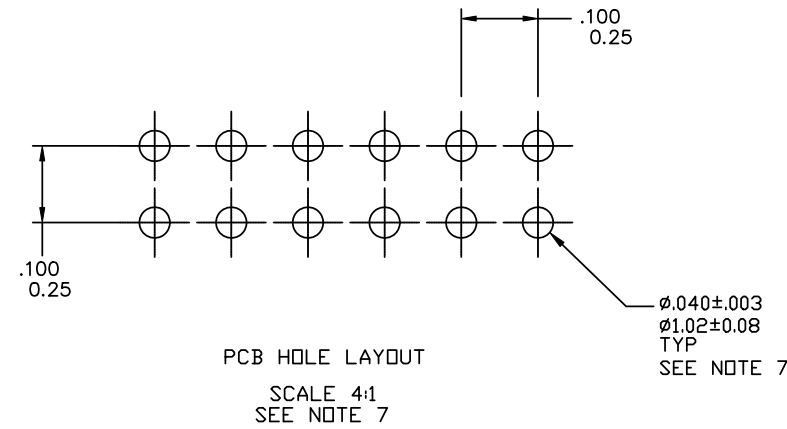
PRODUCT NUMBER
SEE TABLE



SECTION Y-Y

mat'l. code				surface ISO 1302 ✓		tolerance ISO 406 ISO 1101		projection INCH/MM		product family HEADERS	
tolerances unless otherwise specified				.XX±.01/.XX±0.3		linear .XXX±.005/.XXX±0.13		scale 1:1		title FMLB VERTICAL GUIDE PIN (SLOTTED) HEADER-PRESS FIT TAILS	
ltr	ecn no	dr	date	angles	linear	.XXX±.0020/.XXX±0.051		Fuj		dwg no 10116412	
A	N10-0431	J.Z	2010-12-15	0°±2°						sheet 1 of 2 size A3	
B	EGR-ELX-H-02619	DCS	2012-08-26							type Product Customer Drawing	
sheet index		revision sheet		B	B						
		1 2									

PRODUCT NUMBER	SIZE NOTE 5	TAIL LENGTH DIM H	DIM D	DIM G	DIM E	OVERALL LENGTH DIM L	PLATING NOTE 11	SHORT PIN POSITION	LEAD FREE OPTION
10116412-001	2 x 6	.177/4.50	NOTE 4	.37/9.4+D DIM	.40/10.2+D DIM	.48/12.2+D DIM	30u"/.76u MIN Au OVER 50u"/1.27u Ni	A6, B6	NOTE 8



NOTES:

- ①. MOLDING MATERIAL: HI-TEMP RESIN
PER UL 94V-0
COLOR: NATURAL
- ②. TERMINAL MATERIAL: 3/4 HARD PHOS BRONZE
UNS C5100.
3. PIN RETENTION TO BE 3 LBS/1.36 KG
MIN PER PIN IN EITHER DIRECTION.
- ④. DIM D =(NO. OF COLUMNS-1)TIMES .100/2.54
- ⑤. SIZES 2 X 1 THRU 2 X 4 NOT AVAILABLE.
- ⑥. FLATNESS IS MEASURED FROM THE BOTTOM
OF THE END STANDOFFS.
- ⑦. RECOMMENDED PLATED THRU HOLE DIMENSIONS:
 DRILLED HOLE: $\phi 0.0453/1.151 \pm .0010/0.025$
 COPPER PLATING THICKNESS: .001/0.025 TO .003/0.076
 SOLDER PLATING THICKNESS: .0003/0.0076 TO .0007/0.0178
 OVERALL HOLE SIZE: $\phi 0.040/1.016 \pm .003/0.076$
- ⑧. ADD "LF" SUFFIX AT THE END OF PART NUMBER FOR LEAD FREE OPTION.
- ⑨. THIS PRODUCT MEETS EUROPEAN UNION DIRECTIVES AND OTHER
COUNTRY REGULATION AS DESCRIBED IN GS-22-008.
10. THE PRODUCT IS NOT INTENDED TO BE EXPOSED TO
A MANUFACTURING SOLDER PROCESS.
- ⑪. PLATING OPTIONS:
MAY BE EITHER GOLD OR GXT PLATED AT MANUFACTURER'S OPTION.

mat'l. code		surface ISO 1302 ✓		tolerance ISO 406 ISO 1101		projection INCH/MM		product family HEADERS	
ltr		ecn no		dr		date		title	
B								FMLB VERTICAL GUIDE PIN (SLOTTED) HEADER-PRESS FIT TAILS	
								scale 1:1	
								dwg no sheet 2 of 2 size	
								10116412 A3	
								type Product Customer Drawing	

sheet	revision	B	B																
index	sheet	1	2																