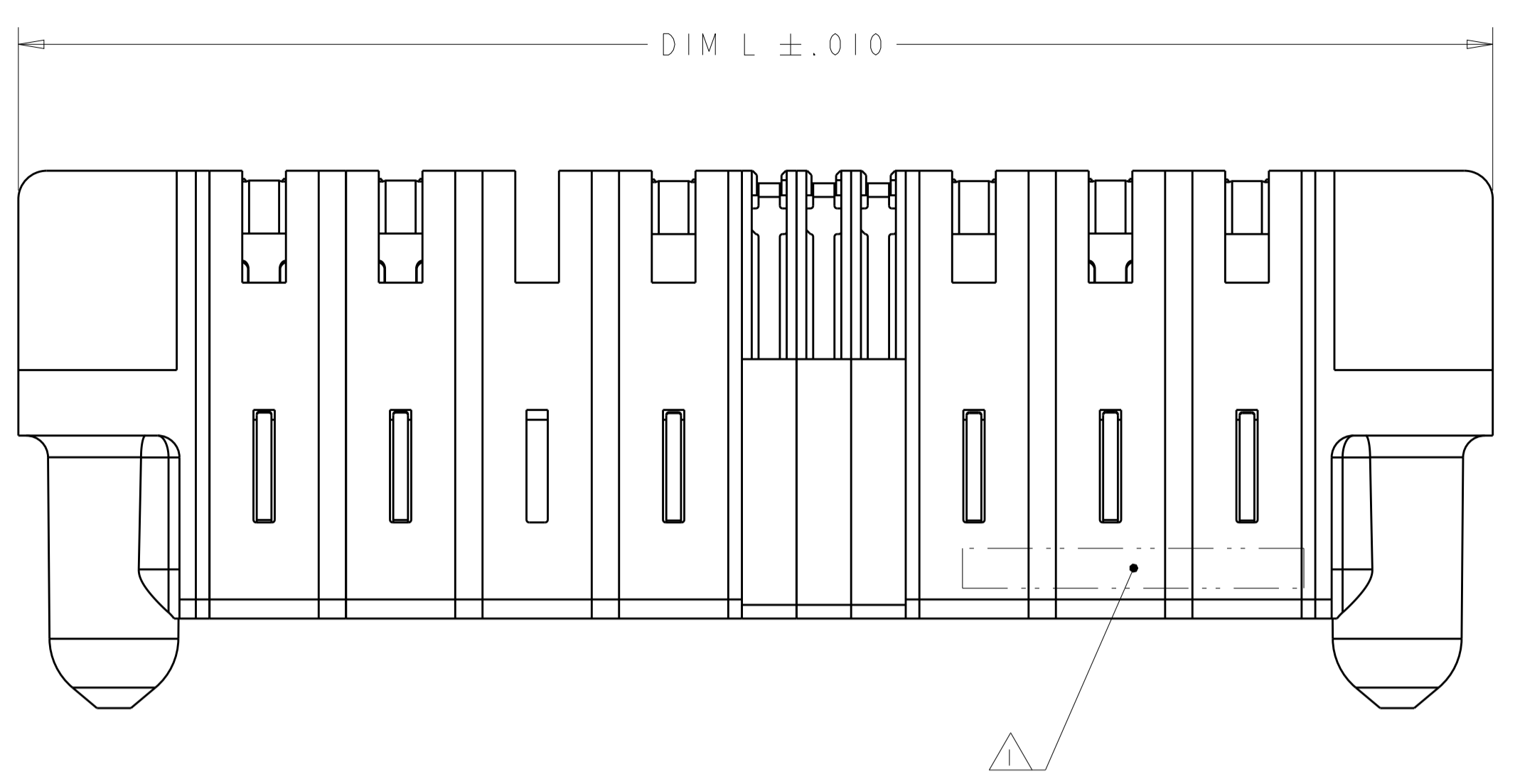
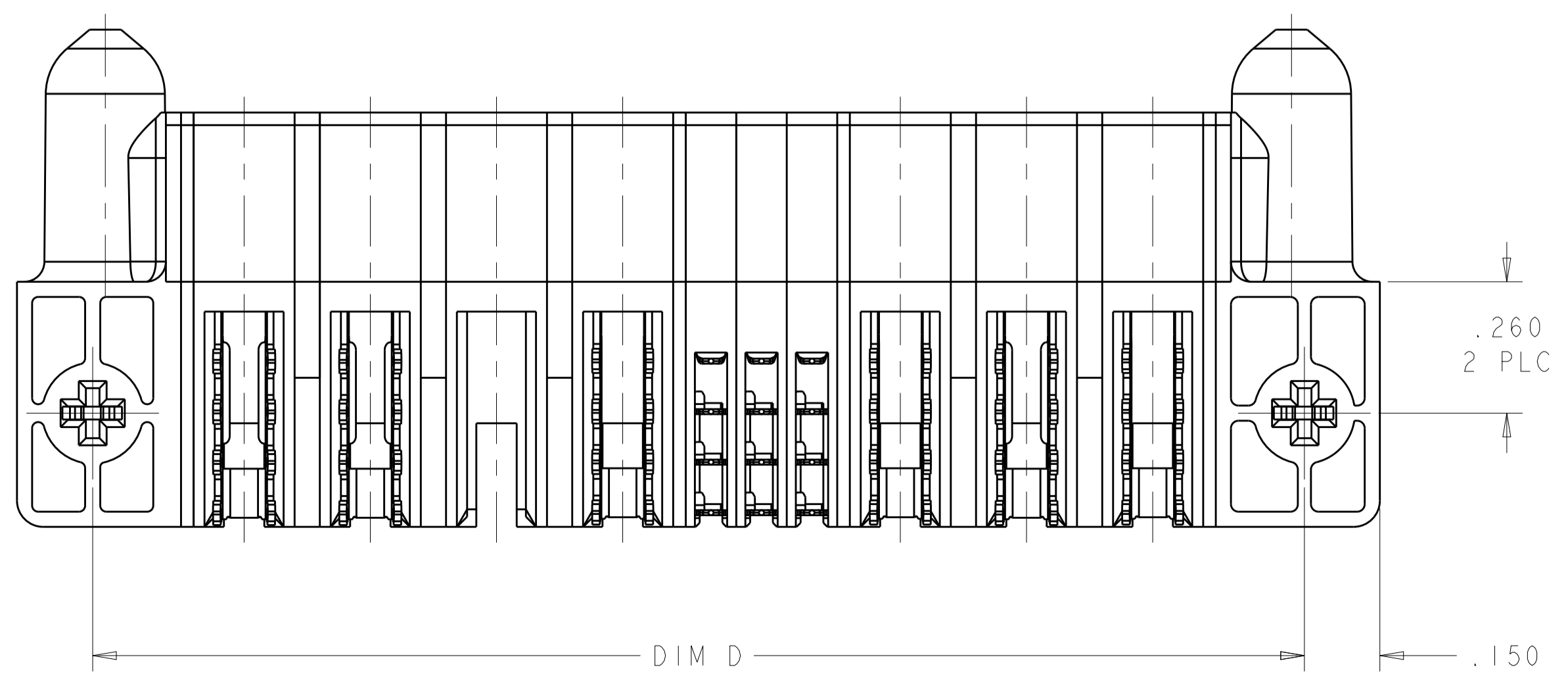
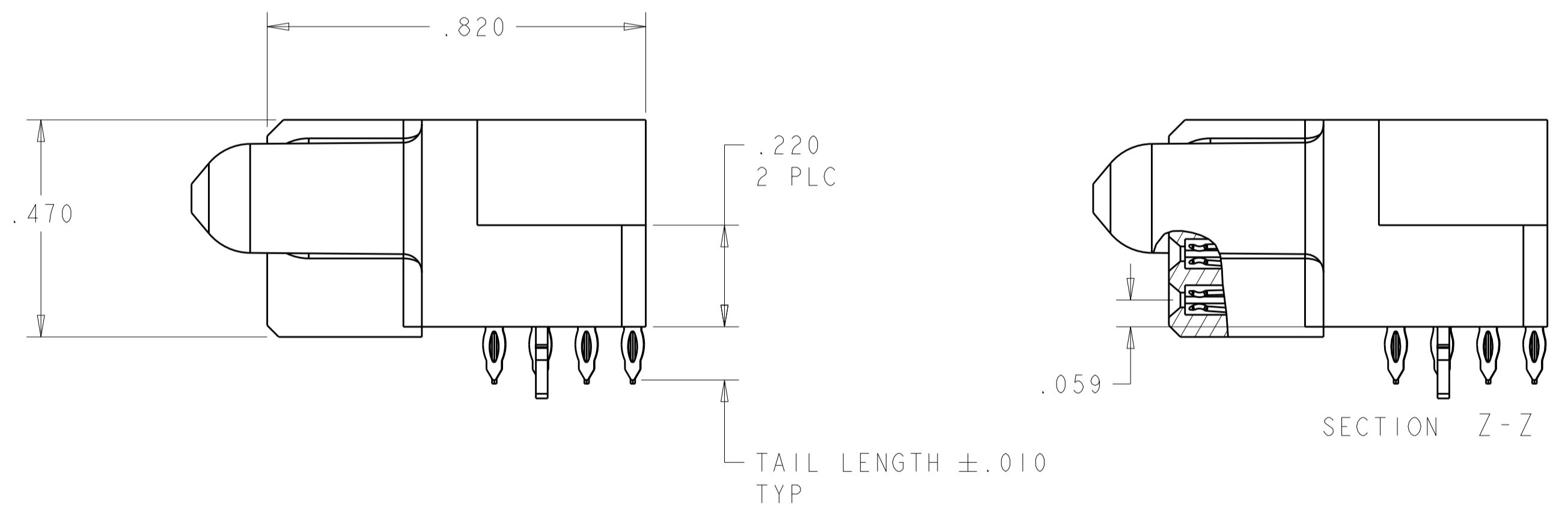
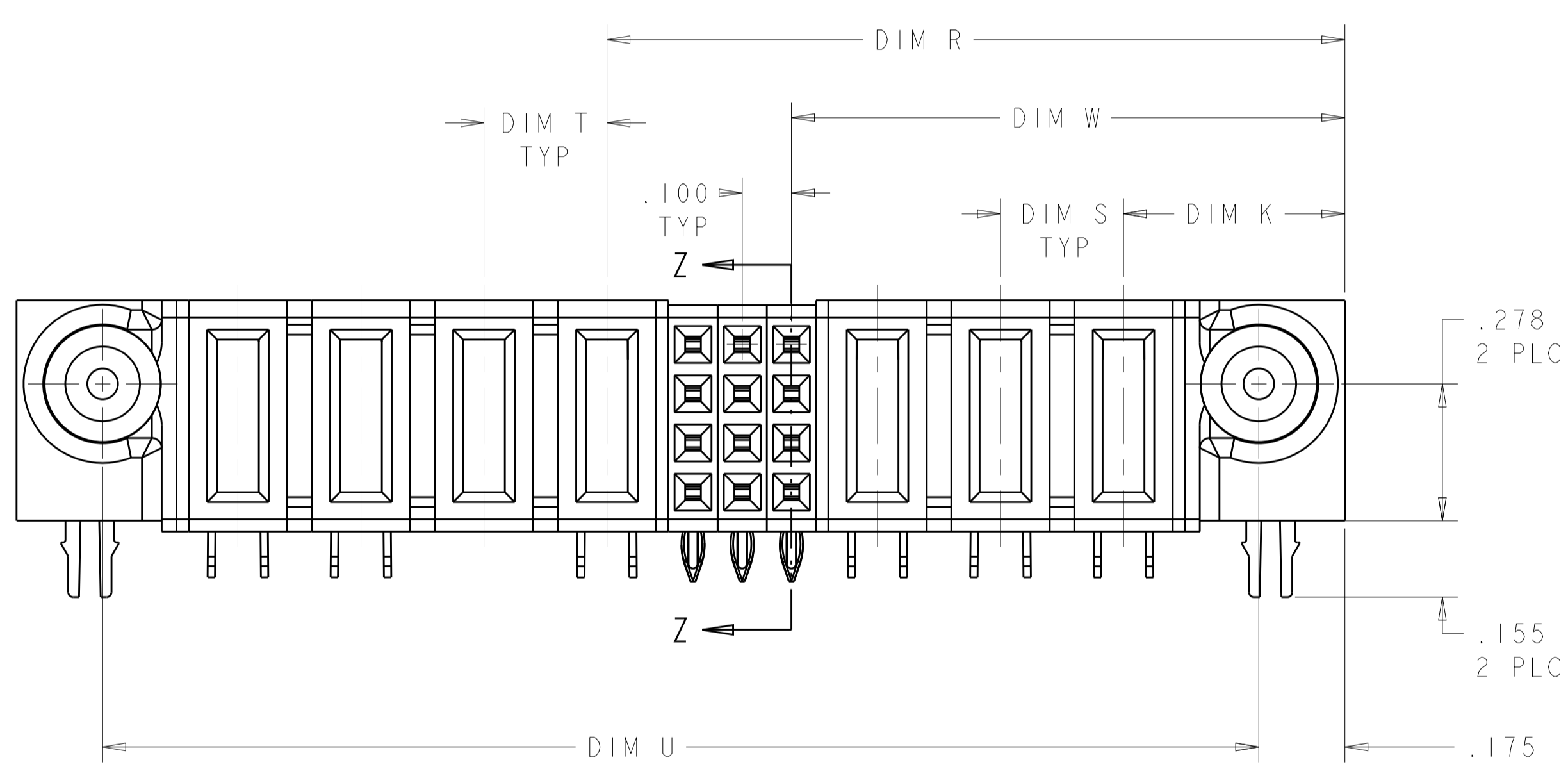


LOC		DIST		REVISIONS			
ES	00	P	LTN	DESCRIPTION	DATE	DWN	APVD
		H2		REV PER ECR-12-010534	11JUN2012	CZ	SZ
		H3		REV PER ECR-13-004638	20MAR2013	ML	SZ



- ① "AMP", PART NUMBER, AND DATE CODE TO BE MARKED IN AREA SHOWN
- ② MATERIAL: HOUSING - GLASS FILLED HIGH TEMP THERMO PLASTIC, UV94 V-0
 SIGNAL CONTACT - HIGH CONDUCTIVITY COPPER ALLOY
 POWER CONTACT - HIGH CONDUCTIVITY COPPER ALLOY
- ③ CONTACT PLATING: NOBLE METAL PLATING ON CONTACT FUNCTIONAL AREA OF POWER AND SIGNAL CONTACTS
- ④ MECHANICAL CONNECTOR KEEP OUT ZONE
- ⑤ DATUM AND BASIC DIMENSIONS ESTABLISHED BY CUSTOMER
- ⑥ PCB - ALL HOLE DIAMETERS ARE FINISHED HOLE SIZES
- ⑦ PCB - .0453 ±.0010 DRILLED HOLE PLATED WITH .0003 MIN Sn OVER .001-.003 PLATING TO ACHIEVE A .040 HOLE



①	U	T	S	R	W	D	M	L	K	DESCRIPTION	PART NUMBER	
.150	.119	3.700	.250	.250	2.850	1.375	3.750	-	4.050	.450	4P + 56S + 4P	1-6450560-9
.150	.119	2.900	.250	.250	2.050	1.375	2.950	-	3.250	.450	4P + 24S + 4P	1-6450560-7
NO	.119	5.100	.250	.250	3.250	2.375	5.150	-	5.450	.450	8P + 32S + 8P	1-6450560-6
.150	.119	2.850	.250	.250	2.500	1.875	2.900	-	3.200	.450	6P + 20S + 2P	1-6450560-5
.150	.119	2.000	.250	.250	1.650	.925	2.050	-	2.350	.450	2P + 24S + 2P	1-6450560-3
.150	.119	1.900	.250	.250	1.550	.875	1.950	-	2.250	.450	2P + 24S + 2P	1-6450560-2
.150	.165	2.300	.200	.200	1.600	1.225	2.350	-	2.650	.450	4P + 12S + 4P	1-6450560-1
NO	.165	3.800	.250	.250	3.450	.875	3.850	-	4.150	.450	2P + 100S + 2P	6450560-8
.150	.119	2.600	.250	.250	2.250	1.925	2.650	-	2.950	.450	6P + 8S + 2P	6450560-6
NO	.165	4.000	.200	.200	2.700	1.825	4.050	-	4.350	.450	7HDP + 32S + 7HDP	6450560-4
NO	.119	1.200	-	-	1.100	.625	1.250	-	1.550	.450	1P + 16S + 1P	6450560-3
NO	.119	3.600	.250	.250	2.500	1.625	3.650	-	3.950	.450	5P + 32S + 5P	6450560-2
NO	.119	2.350	.250	.250	1.500	1.125	2.400	-	2.700	.450	3P + 12S + 4P	6450560-1
MOUNTING HOLES	TAIL LENGTH	U	T	S	R	W	D	M	L	K	DESCRIPTION	PART NUMBER

THIS DRAWING IS A CONTROLLED DOCUMENT. DWN: R. GRZYBOWSKI 09MAR05
 CHK: M. PERCHERKE 09MAR05
 APVD: M. PERCHERKE

DIMENSIONS: INCHES. TOLERANCES UNLESS OTHERWISE SPECIFIED:
 0 PLC ±.01
 1 PLC ±.01
 2 PLC ±.01
 3 PLC ±.005
 4 PLC ±.002
 ANGLES ±.2°

MATERIAL: FINISH: ② ③

Customer Drawing

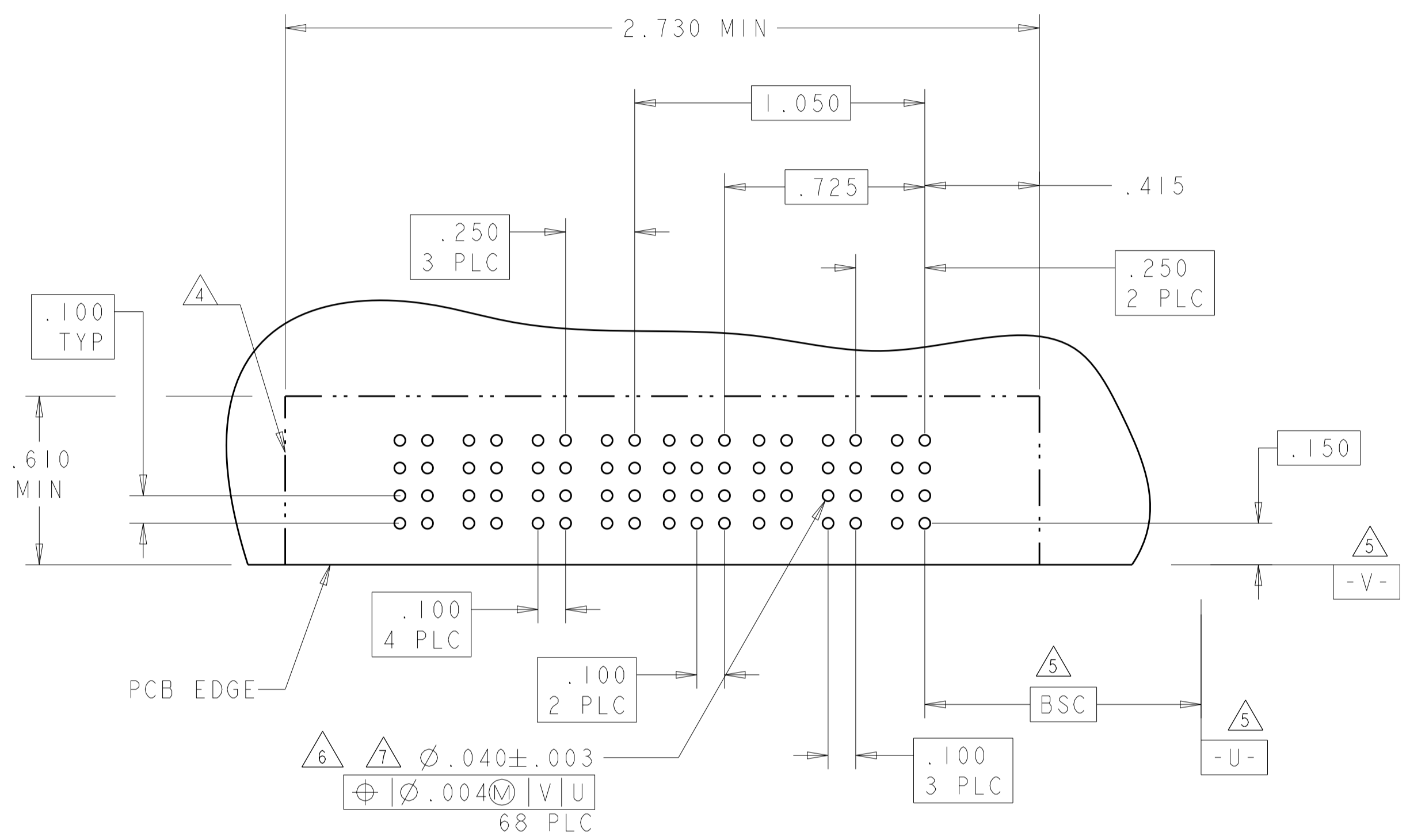
NAME: RIGHT ANGLE RECEPTACLE ASSEMBLY WITH GUIDES MULTI-BEAM XL
 PRODUCT SPEC: 108-1973
 APPLICATION SPEC: 114-13038

SIZE: A1 00779
 CAGE CODE: 6450560
 DRAWING NO: 114-13038

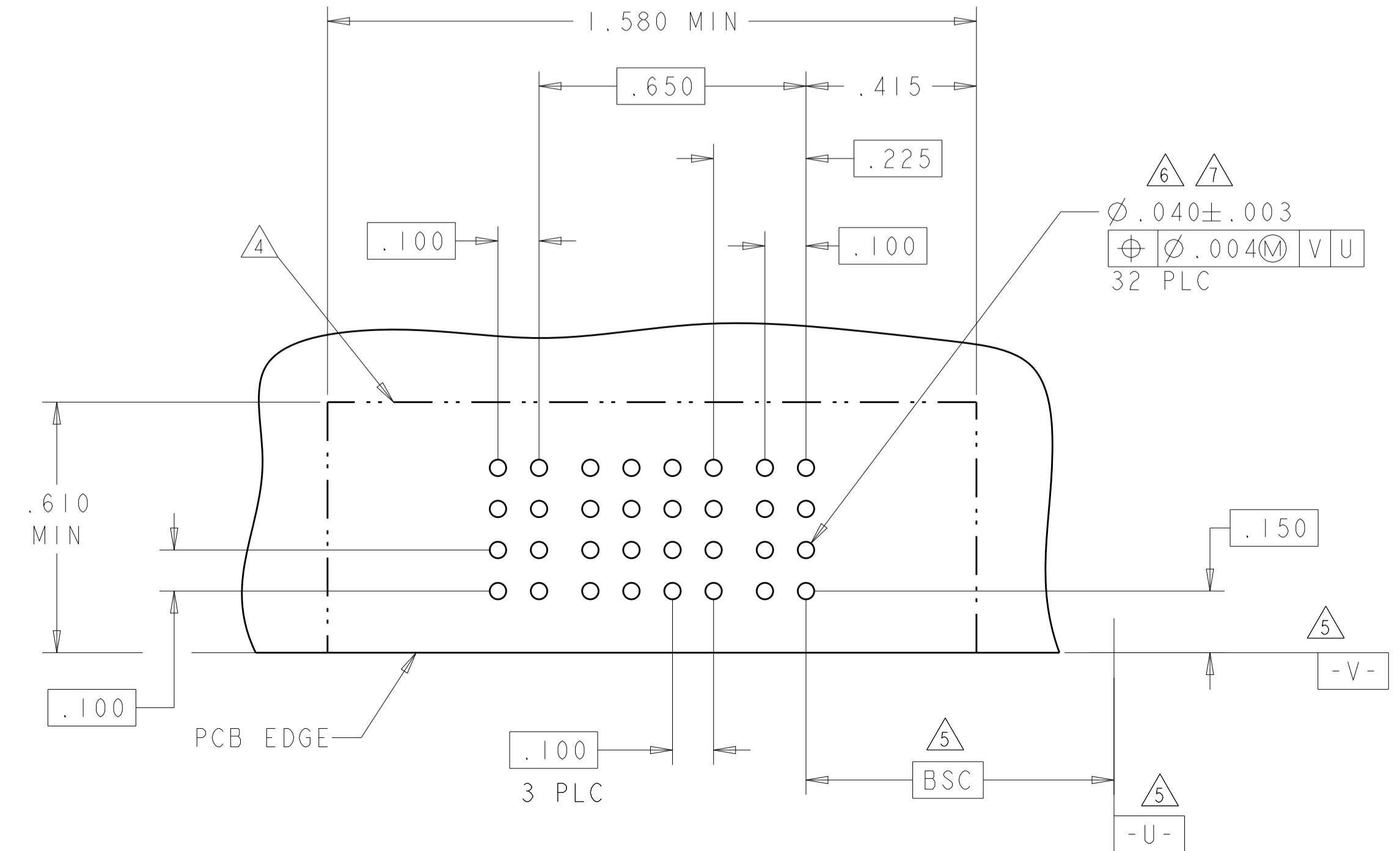
RESTRICTED TO: SCALE: 4:1 SHEET 1 OF 7 REV: H3

LOC	DIST	REV	DATE	APPV
ES	00			

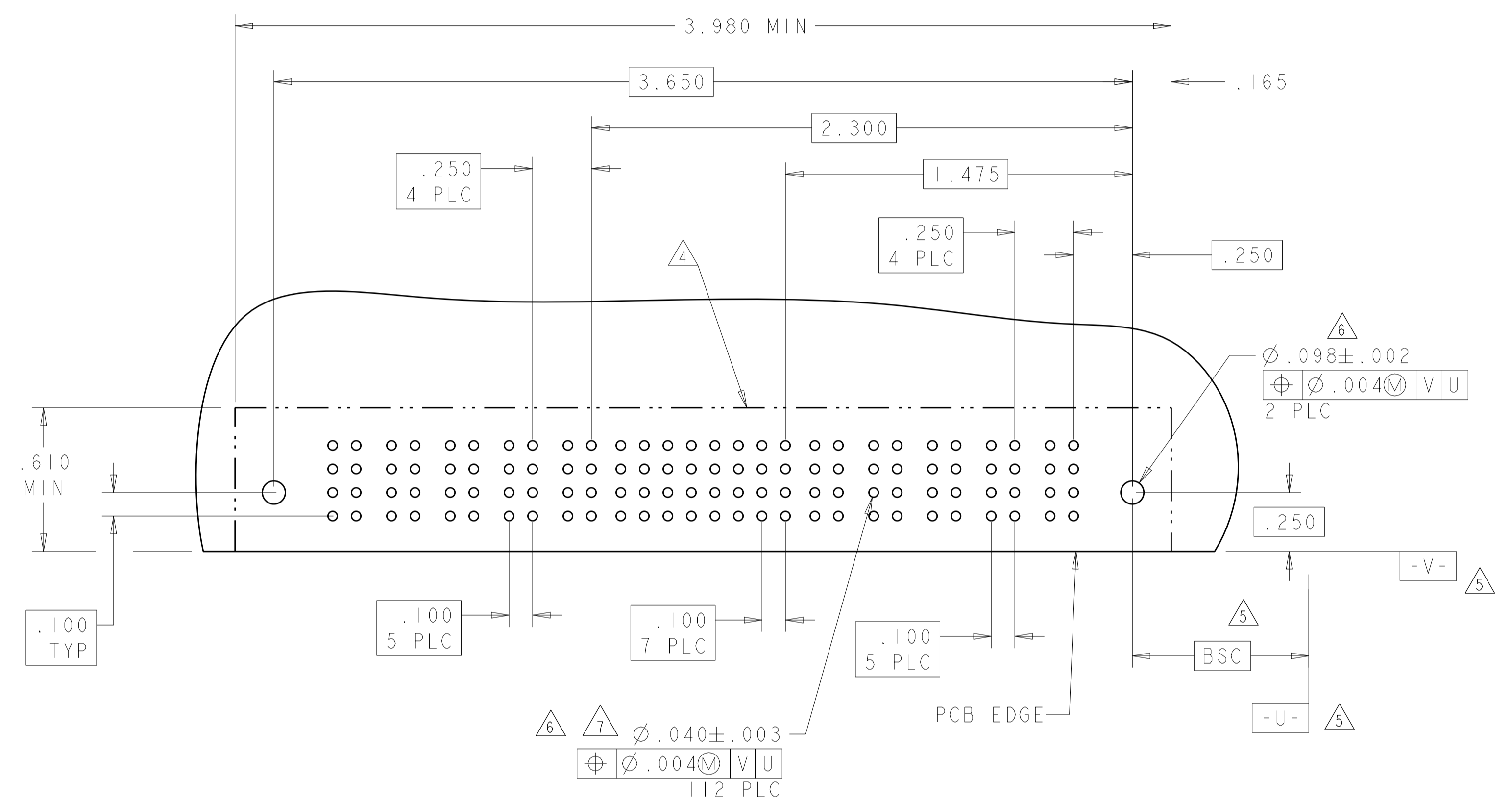
PART NUMBER	ROWS	POWER				SIGNAL			POWER		
		P7	P6	P5	P4	3	2	1	P3	P2	P1
6450560-1	D	RS	RS	RP	D	D	D	RP	RS	RP	
	C				C	C					
	B				B	B					
	A				A	A					
3P + 12S + 4P											



PART NUMBER	ROWS	POWER		SIGNAL				POWER
		P2	P1	4	3	2	1	P1
6450560-3	D	RP	RP	D	D	D	D	RP
	C			C	C	C		
	B			B	B	B		
	A			A	A	A		
1P + 16S + 1P								



PART NUMBER	ROWS	POWER					SIGNAL								POWER				
		P10	P9	P8	P7	P6	8	7	6	5	4	3	2	1	P5	P4	P3	P2	P1
6450560-2	D	RP	RP	RP	RP	RP	D	D	D	D	D	D	D	D	RP	RP	RP	RP	RP
	C						C	C	C	C	C	C	C						
	B						B	B	B	B	B	B	B						
	A						A	A	A	A	A	A	A						
5P + 32S + 5P																			



CODE	TAIL LENGTH	DESCRIPTION
RK	PRESS FIT	MFBL
RL	PRESS FIT	STD
RP	PRESS FIT	MFBL
RS	PRESS FIT	STD

CODE	TAIL LENGTH	ROW
DD	PRESS FIT	D
CC	PRESS FIT	C
BB	PRESS FIT	B
AA	PRESS FIT	A
D	PRESS FIT	D
C	PRESS FIT	C
B	PRESS FIT	B
A	PRESS FIT	A

THIS DRAWING IS A CONTROLLED DOCUMENT. OWN: R. GRZYBOWSKI, 09MAR05; CHK: M. PERCHERKE, 09MAR05; APPV: M. PERCHERKE.

STE TE Connectivity

NAME: RIGHT ANGLE RECEPTACLE ASSEMBLY WITH GUIDES MULTI-BEAM XL

PRODUCT SPEC: 108-1973

APPLICATION SPEC: 114-13038

SIZE: A100779

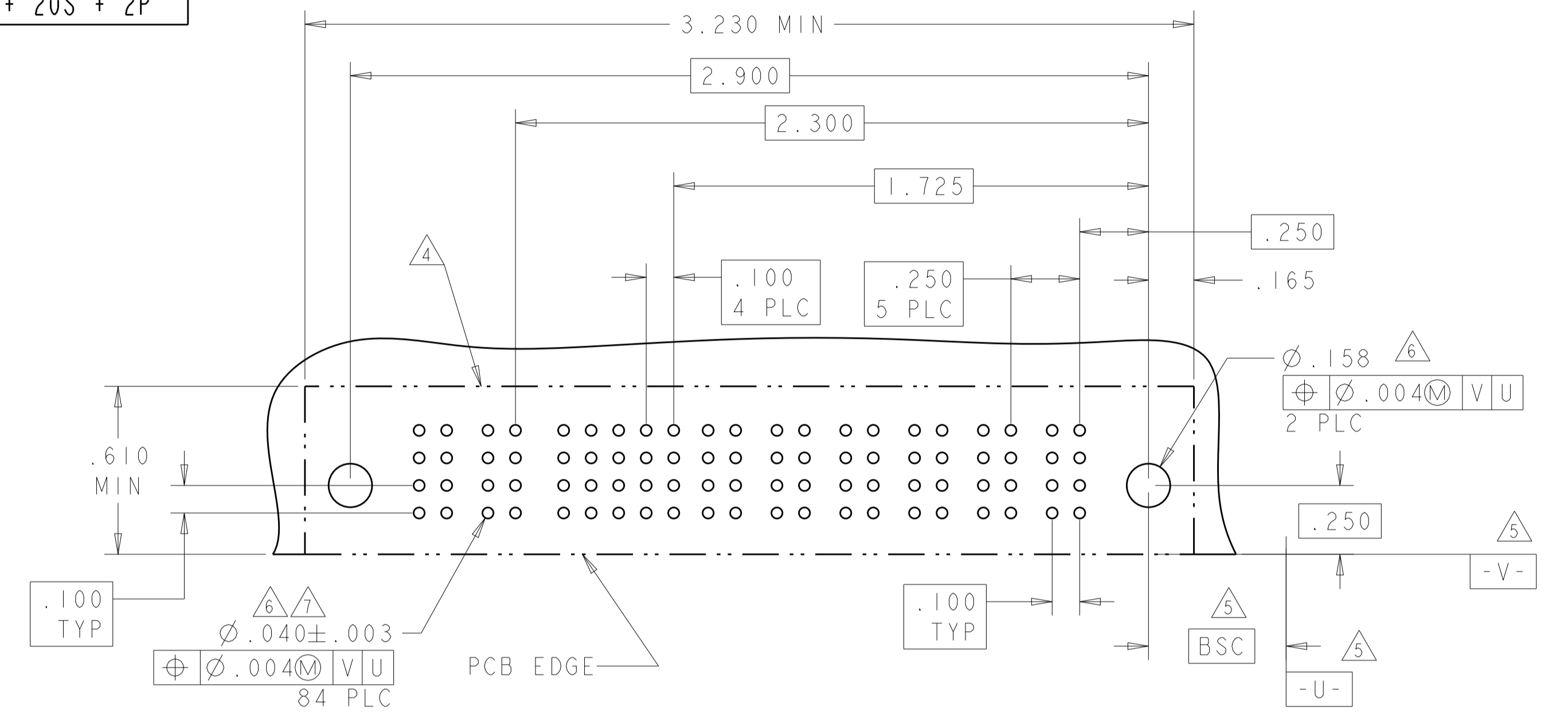
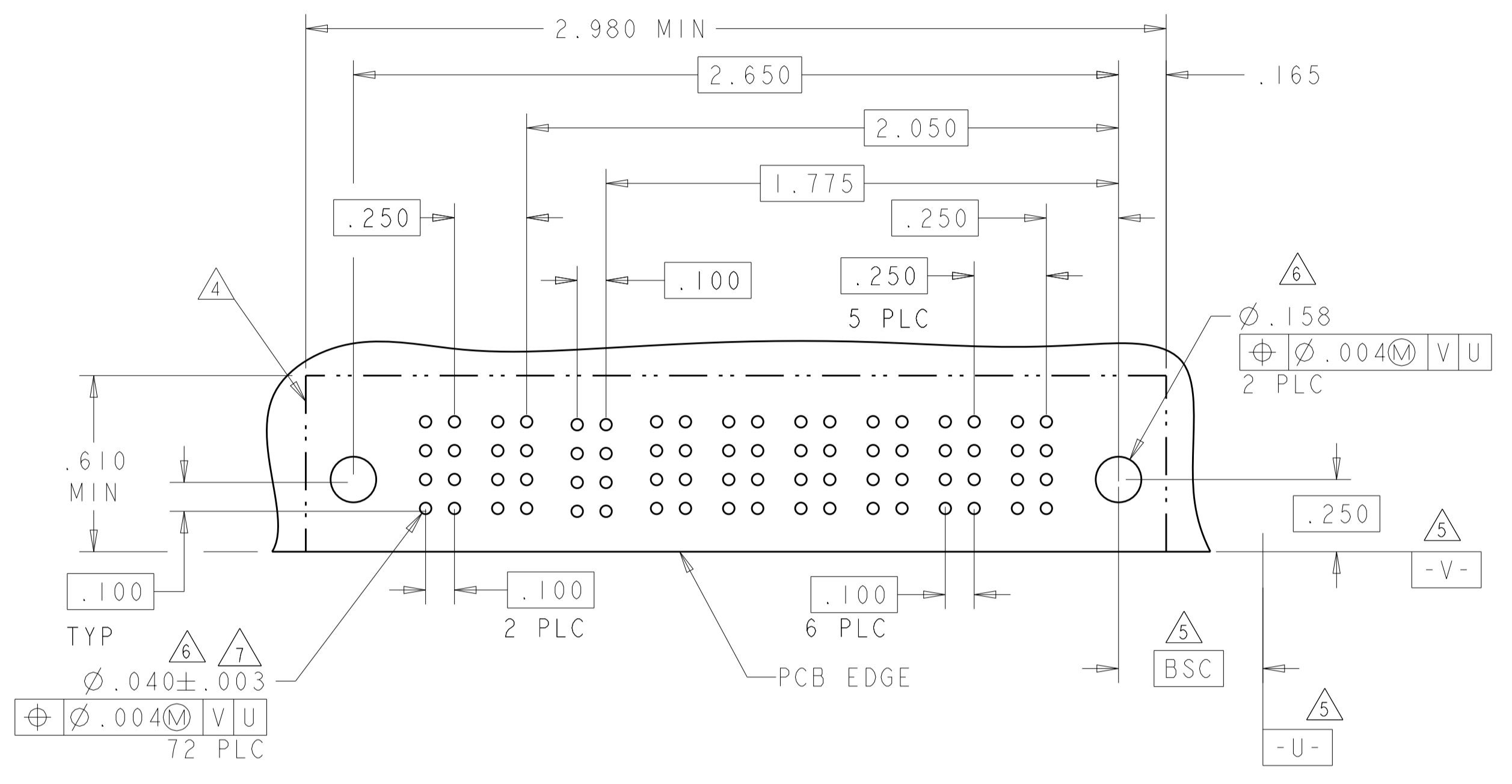
SCALE: 4:1

SHEET: 2 OF 7

REV: H3

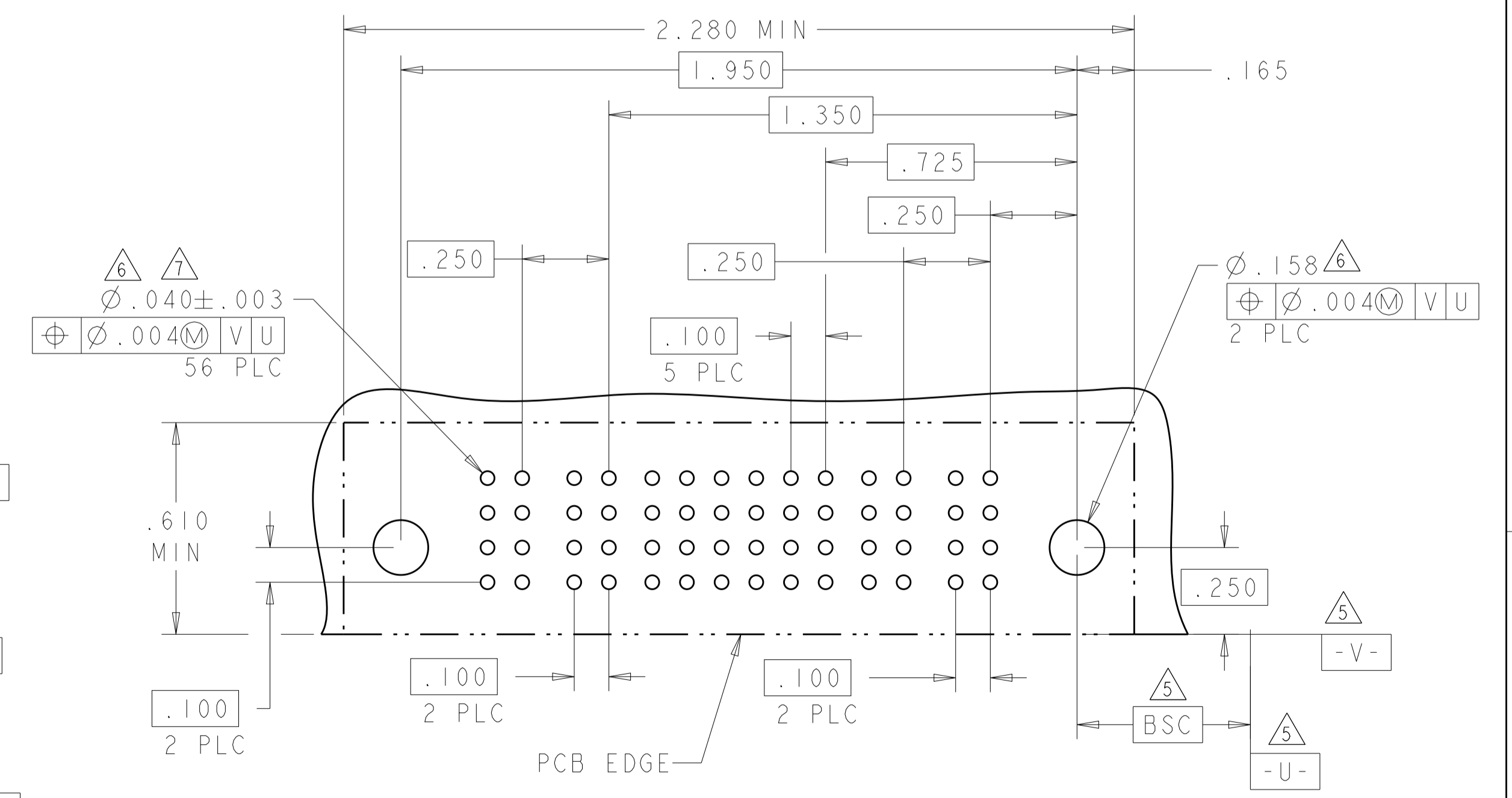
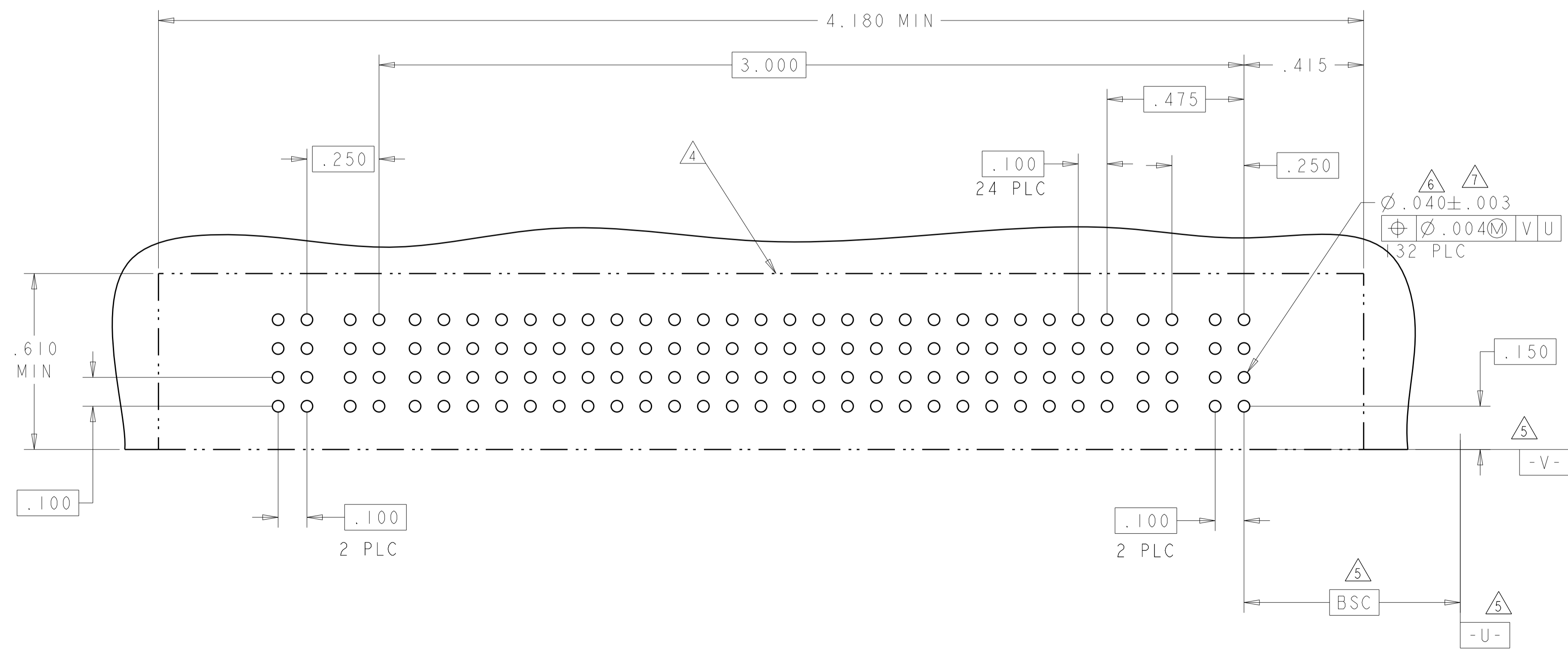
PART NUMBER	ROWS	POWER		SIGNAL								POWER				
		P8	P7	2	1	P6	P5	P4	P3	P2	P1	P2	P1	P2	P1	
6450560-6	D C B A	RP	RP	D	D	RP	RP	RP	RP	RP	RP	RP	RP	RP	RP	
				C	C											
				B	B											
				A	A											
6P + 8S + 2P																

PART NUMBER	ROWS	POWER		SIGNAL					POWER					
		P8	P7	5	4	3	2	1	P6	P5	P4	P3	P2	P1
1-6450560-5	D C B A	RP	RP	D	D	D	D	D	RP	RP	RP	RP	RP	RP
				C	C	C	C	C						
				B	B	B	B	B						
				A	A	A	A	A						
6P + 20S + 2P														



PART NUMBER	ROWS	POWER		SIGNAL																				POWER										
		P4	P3	25	24	23	22	21	20	19	18	17	16	15	14	13	12	11	10	9	8	7	6	5	4	3	2	1	P2	P1				
6450560-8	D C B A	RL	RL	DD	DD	DD	DD	DD	DD	DD	DD	DD	DD	DD	DD	DD	DD	DD	DD	DD	DD	DD	DD	DD	DD	DD	DD	DD	DD	DD	DD	RL	RL	
				CC	CC	CC	CC	CC	CC	CC	CC	CC	CC	CC	CC	CC	CC	CC	CC	CC	CC	CC	CC	CC	CC	CC	CC	CC	CC	CC	CC	CC	CC	
				BB	BB	BB	BB	BB	BB	BB	BB	BB	BB	BB	BB	BB	BB	BB	BB	BB	BB	BB	BB	BB	BB	BB	BB	BB	BB	BB	BB	BB	BB	BB
				AA	AA	AA	AA	AA	AA	AA	AA	AA	AA	AA	AA	AA	AA	AA	AA	AA	AA	AA	AA	AA	AA	AA	AA	AA	AA	AA	AA	AA	AA	AA
2P + 100S + 2P																																		

PART NUMBER	ROWS	POWER		SIGNAL						POWER	
		P4	P3	6	5	4	3	2	1	P2	P1
1-6450560-2	D C B A	RP	RP	D	D	D	D	D	D	RP	RP
				C	C	C	C	C	C		
				B	B	B	B	B	B		
				A	A	A	A	A	A		
2P + 24S + 2P											



THIS DRAWING IS A CONTROLLED DOCUMENT.

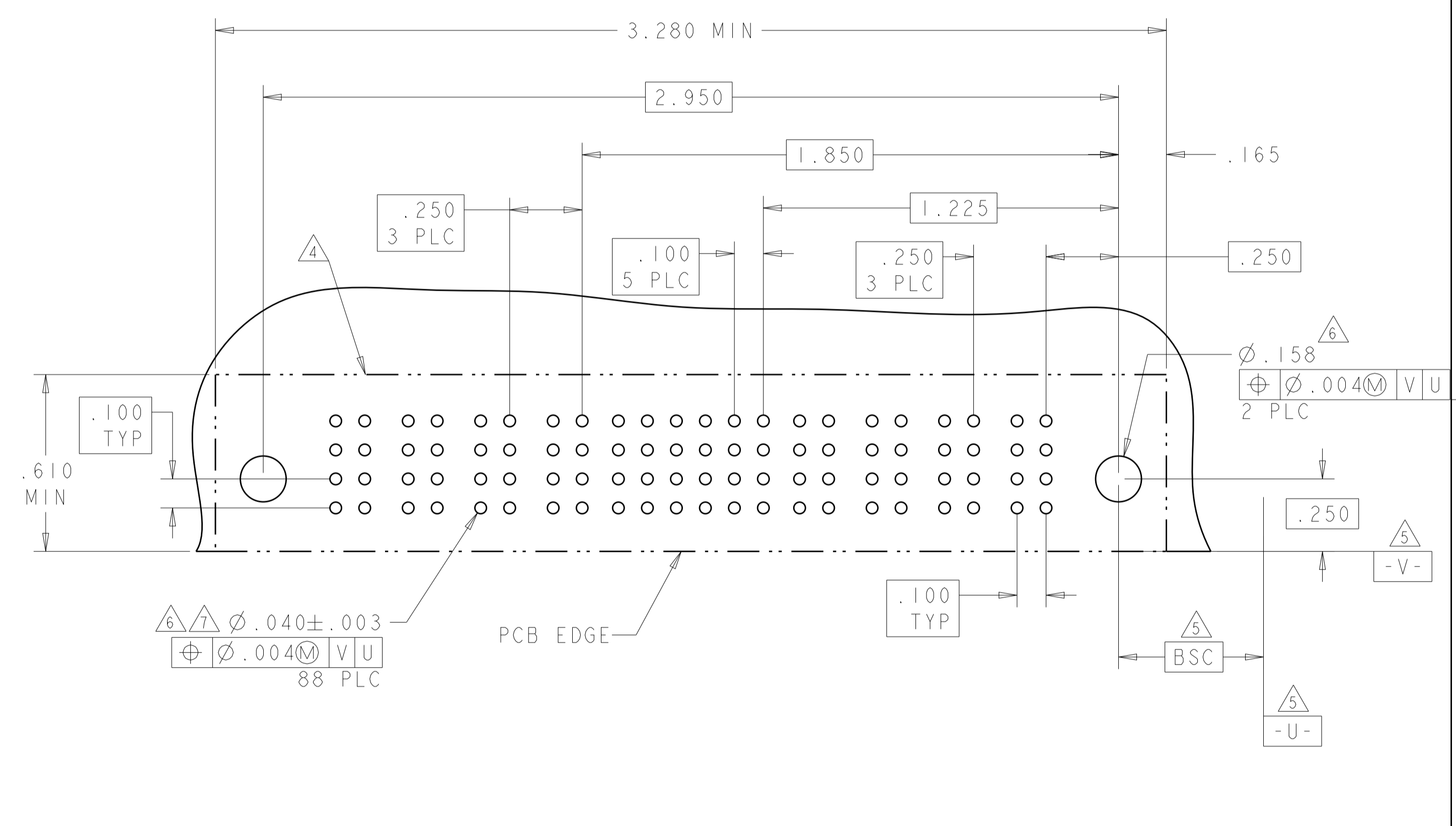
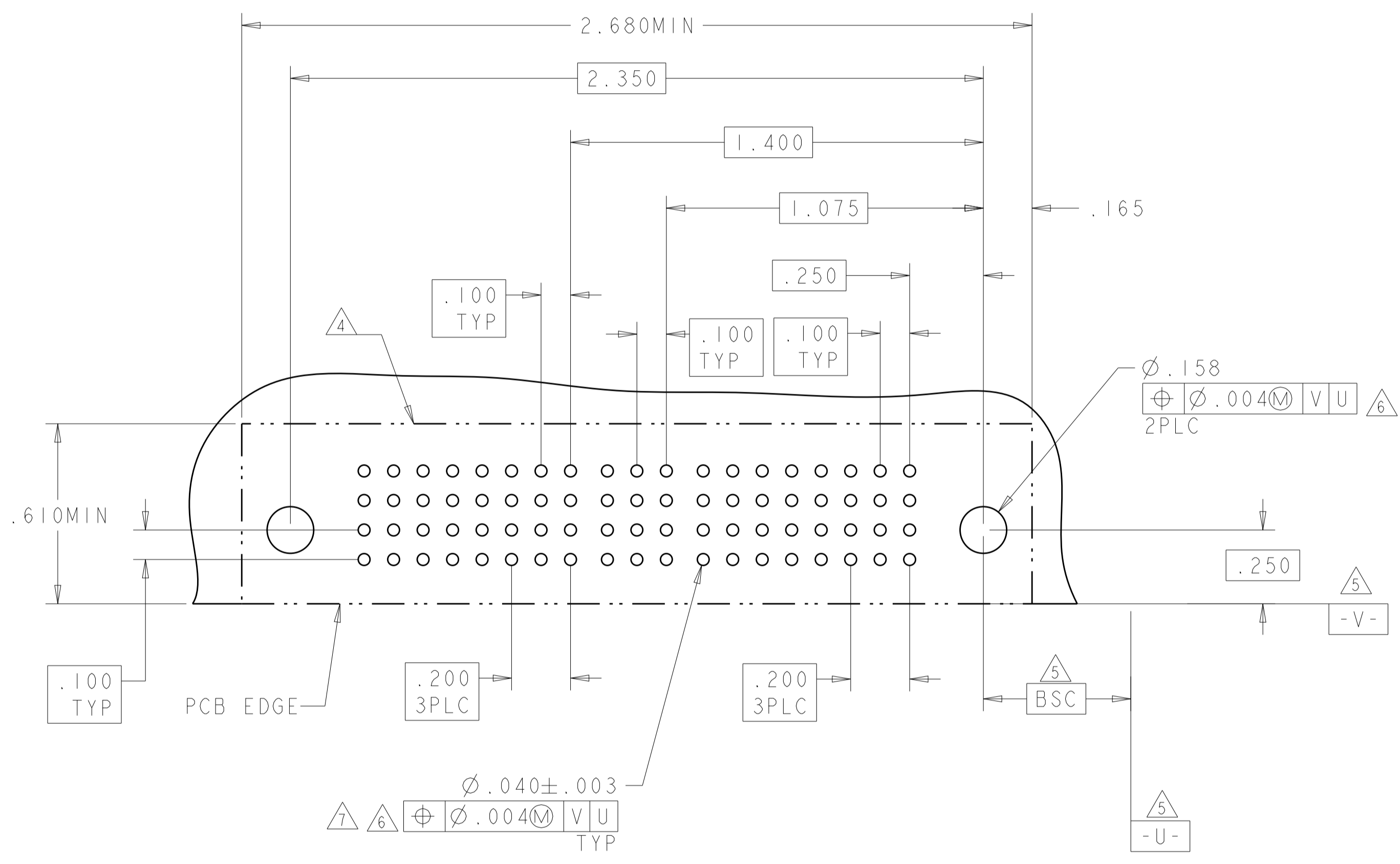
DIMENSIONS: INCHES	TOLERANCES UNLESS OTHERWISE SPECIFIED: 0 PLC ±.01 1 PLC ±.01 2 PLC ±.01 3 PLC ±.005 4 PLC ±.002	APVD: M. PERCHERKE	NAME: M. PERCHERKE	PRODUCT SPEC: 108-1973	APPLICATION SPEC: 114-13038	WEIGHT: -	SCALE: 4:1	SHEET: 3 OF 7	REV: H3

STE TE Connectivity
RIGHT ANGLE RECEPTACLE ASSEMBLY WITH GUIDES MULTI-BEAM XL
SIZE: A100779
CAGE CODE: 6450560
DATE: 11-14-2017

LOC		DIST		REVISIONS			
ES	00	P	LTN	DESCRIPTION	DATE	OWN	APVD
-	-	-	-	SEE SHEET 1	-	-	-

PART NUMBER	ROWS	POWER				SIGNAL			POWER			
		P8	P7	P6	P5	3	2	1	P4	P3	P2	P1
I-6450560-1	D C B A	RL	RL	RL	RL	DD	DD	DD	RL	RL	RL	RL
						CC	CC	CC				
						BB	BB	BB				
						AA	AA	AA				
4P + 12S + 4P												

PART NUMBER	ROWS	POWER				SIGNAL					POWER				
		P8	P7	P6	P5	6	5	4	3	2	1	P4	P3	P2	P1
I-6450560-7	D C B A	RS	RS	RS	RS	D	D	D	D	D	D	RS	RS	RS	RS
						C	C	C	C	C	C				
						B	B	B	B	B	B				
						A	A	A	A	A	A				
4P + 24S + 4P															



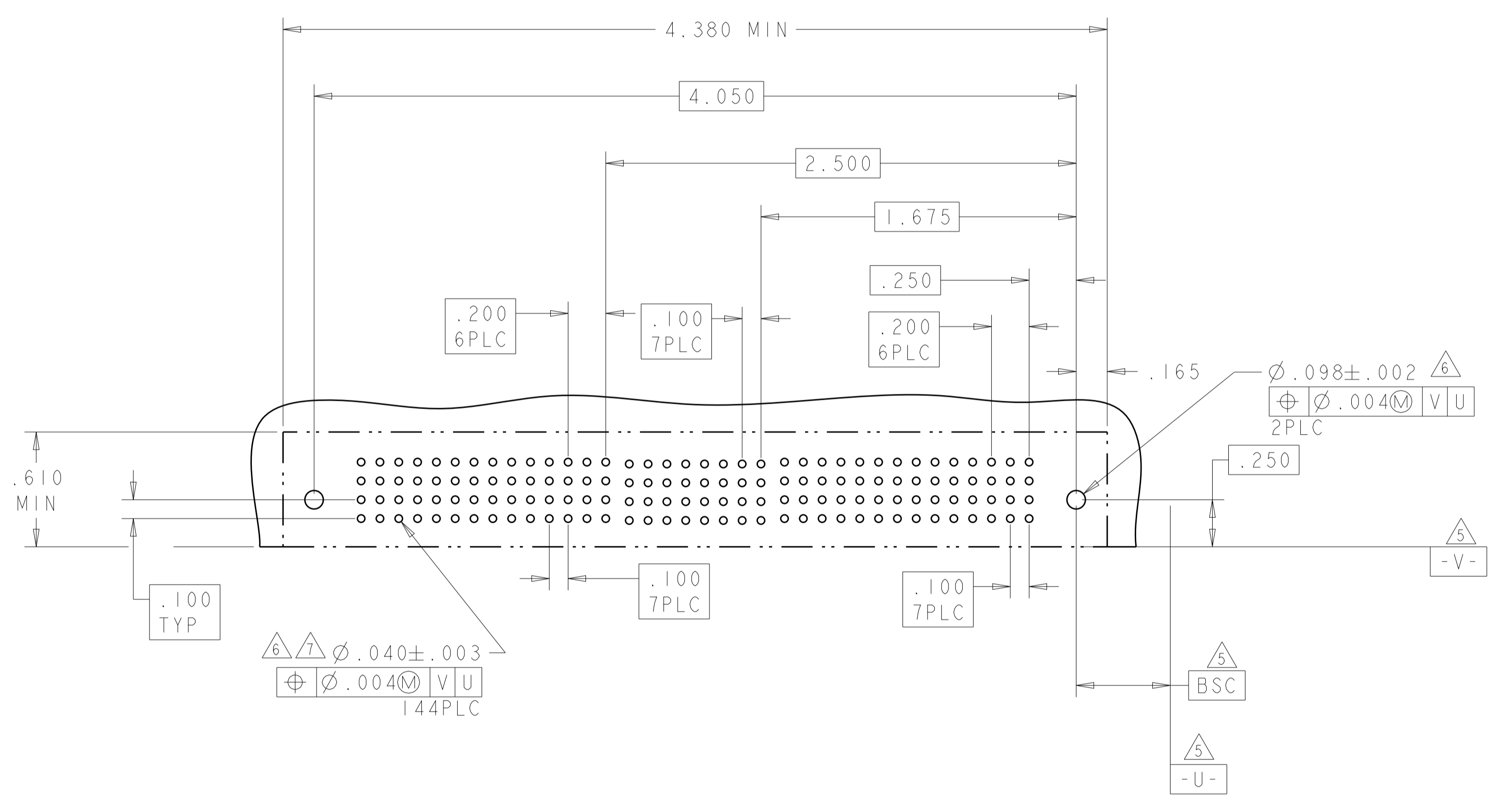
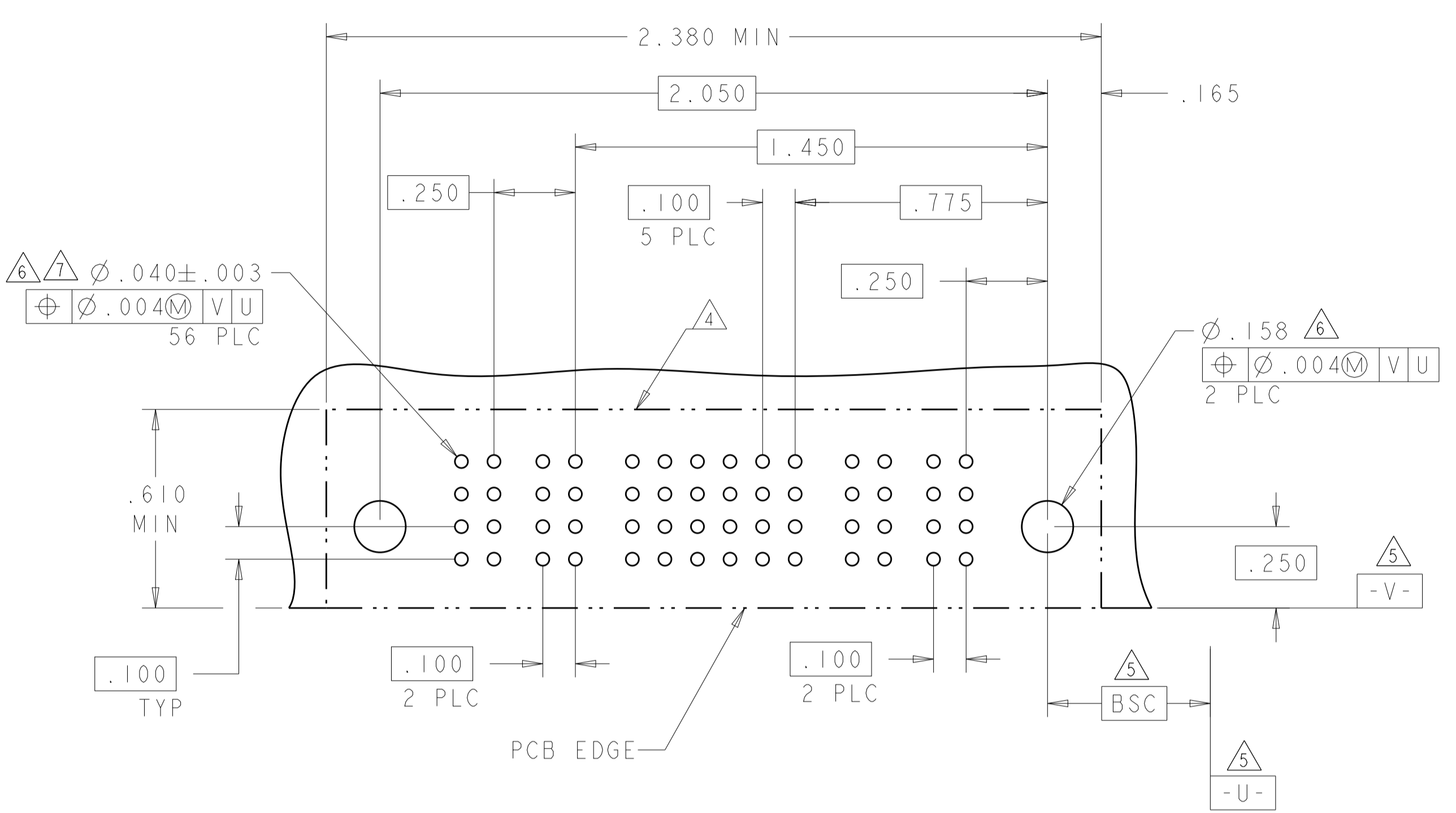
THIS DRAWING IS A CONTROLLED DOCUMENT.		OWN: R. GRZYBOWSKI 09MAR05	TE Connectivity	
DIMENSIONS: INCHES		CHK: M. PERCHERKE 09MAR05		
TOLERANCES UNLESS OTHERWISE SPECIFIED: 0 PLC ±. 1 PLC ±.01 2 PLC ±.005 3 PLC ±.005 4 PLC ±.0020 ANGLES ±.0020		APVD: M. PERCHERKE	NAME: RIGHT ANGLE RECEPTACLE ASSEMBLY WITH GUIDES MULTI-BEAM XL	
MATERIAL: -		PRODUCT SPEC: 108-1973	SIZE: A100779C=6450560	
FINISH: -		APPLICATION SPEC: 114-13038	RESTRICTED TO: -	
		WEIGHT: -	SCALE: 4:1 SHEET 4 OF 7 REV: H3	
		Customer Drawing		

LOC	DIST	REV	DATE	BY	APPR
ES	00				

REVISIONS			
NO	DESCRIPTION	DATE	BY
-	SEE SHEET 1	-	-

PART NUMBER	ROWS	POWER		SIGNAL						POWER		
		P4	P3	6	5	4	3	2	1	P2	P1	
1-6450560-3	D C B A	RS	RS	D	D	D	D	D	D	RS	RS	
				C	C	C	C	C	C			
				B	B	B	B	B	B			
2P + 24S + 2P												

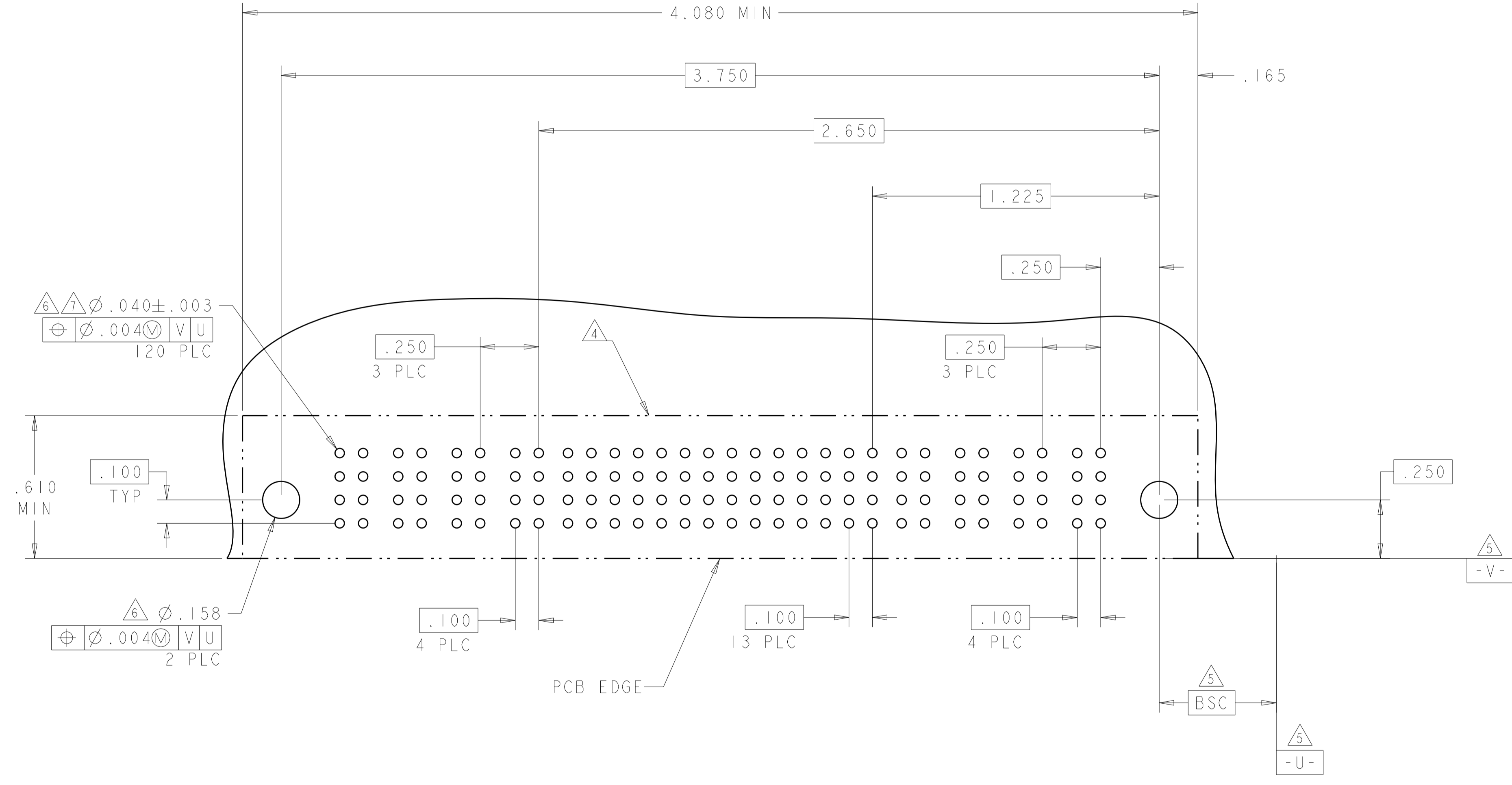
PART NUMBER	ROWS	POWER							SIGNAL								POWER								
		P14	P13	P12	P11	P10	P9	P8	8	7	6	5	4	3	2	1	P7	P6	P5	P4	P3	P2	P1		
6450560-4	D C B A	RK	RK	RK	RK	RK	RK	RK	DD	DD	DD	DD	DD	DD	DD	RK	RK	RK	RK	RK	RK	RK	RK		
									CC	CC	CC	CC	CC	CC	CC									CC	
									BB	BB	BB	BB	BB	BB	BB									BB	
7HDP + 32S + 7HDP																									



THIS DRAWING IS A CONTROLLED DOCUMENT.		OWN: R. GRZYBOWSKI 09MAR05	 TE Connectivity
DIMENSIONS: INCHES		CHK: M. PERCHERKE 09MAR05	
TOLERANCES UNLESS OTHERWISE SPECIFIED:		APVD: M. PERCHERKE	NAME: RIGHT ANGLE RECEPTACLE ASSEMBLY WITH GUIDES MULTI-BEAM XL
0 PLC ± .01		PRODUCT SPEC: 108-1973	SIZE: A1
1 PLC ± .01		APPLICATION SPEC: 114-13038	CAGE CODE: 6450560
2 PLC ± .005		WEIGHT: -	RESTRICTED TO: -
3 PLC ± .002		Customer Drawing	SCALE: 4:1
4 PLC ± .0020			SHEET 5 OF 7
ANGLES: -			REV: H3
FINISH: -			

LOC	DIST	REVISIONS			
P	LTN	DESCRIPTION	DATE	DMN	APVD
ES	00	SEE SHEET 1	-	-	-

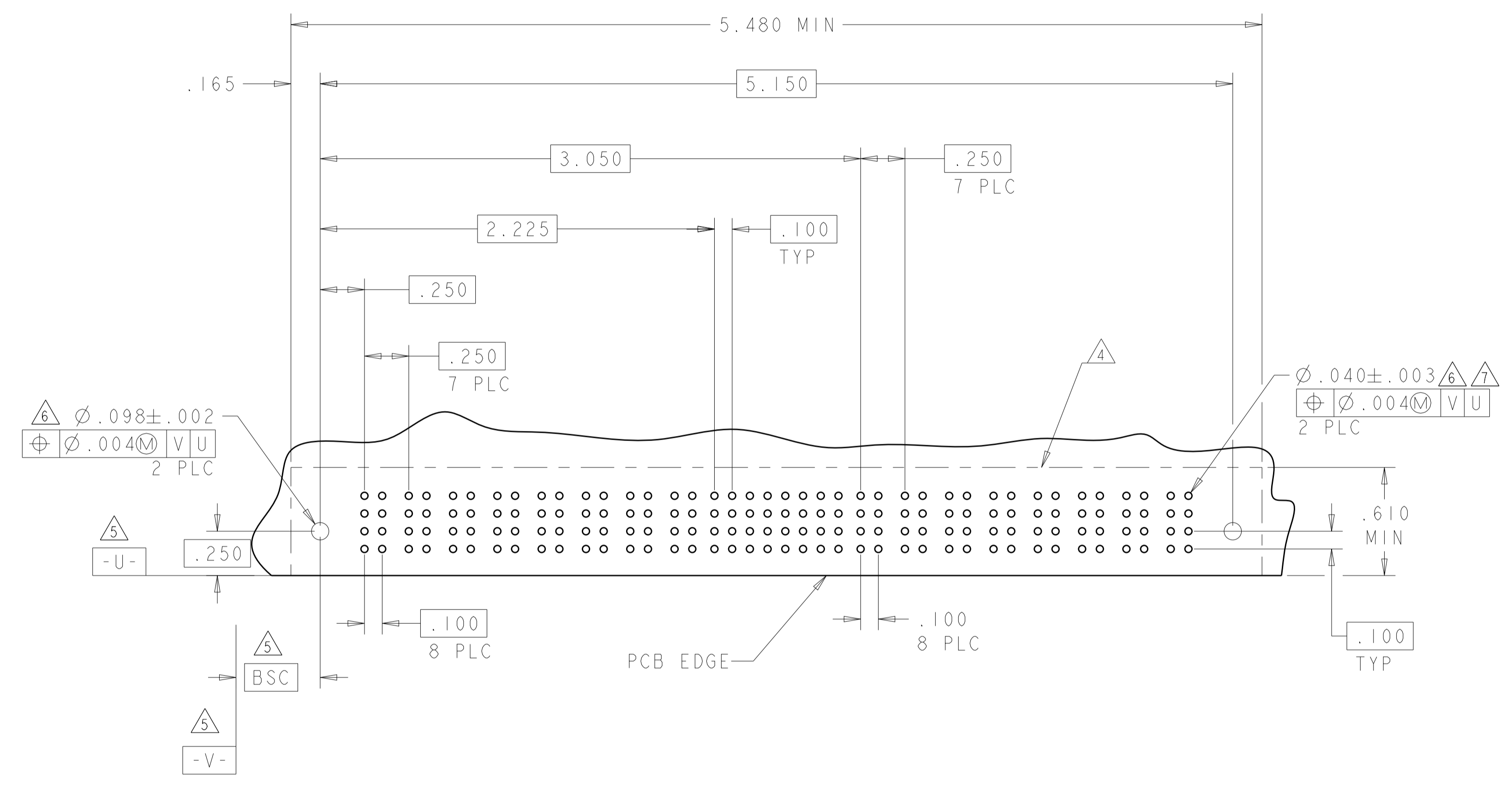
PART NUMBER	ROWS	POWER				SIGNAL																POWER												
		P8	P7	P6	P5	14	13	12	11	10	9	8	7	6	5	4	3	2	1	P4	P3	P2	P1											
I-6450560-9	D	RS	RS	RS	RS	D	D	D	D	D	D	D	D	D	D	D	D	D	D	D	D	D	D	D	D	RS	RS	RS	RS					
	C					C	C	C	C	C	C	C	C	C	C	C	C	C	C	C	C	C	C	C	C					C	C	C		
	B					B	B	B	B	B	B	B	B	B	B	B	B	B	B	B	B	B	B	B	B					B	B	B	B	B
	A					A	A	A	A	A	A	A	A	A	A	A	A	A	A	A	A	A	A	A	A					A	A	A	A	A
4P + 56S + 4P																																		



THIS DRAWING IS A CONTROLLED DOCUMENT.		DMN R. GRZYBOWSKI 09MAR05	TE Connectivity	
DIMENSIONS: INCHES		CHK M. PERCHERKE 09MAR05	NAME RIGHT ANGLE RECEPTACLE ASSEMBLY WITH GUIDES MULTI-BEAM XL	
		APVD M. PERCHERKE	PRODUCT SPEC	
TOLERANCES UNLESS OTHERWISE SPECIFIED: 0 PLC ±. 1 PLC ±.01 2 PLC ±.01 3 PLC ±.005 4 PLC ±.002		APPLICATION SPEC	108-1973	
MATERIAL		FINISH	SIZE 114-13038	RESTRICTED TO
WEIGHT		Customer Drawing	SCALE 4:1	SHEET 6 OF 7
REV H3		DRAWING NO A100779C=6450560		REV H3

LOC	DIST	REVISIONS			
P	LTN	DESCRIPTION	DATE	OWN	APVD
-	-	SEE SHEET 1	-	-	-

PART NUMBER	ROWS	POWER								SIGNAL								POWER							
		P16	P15	P14	P13	P12	P11	P10	P9	8	7	6	5	4	3	2	1	P8	P7	P6	P5	P4	P3	P2	P1
I-6450560-6	D C B A	RS	RS	RS	RS	RS	RS	RS	D	D	D	D	D	D	D	D	RS	RS	RS	RS	RS	RS	RS	RS	
									C	C	C	C	C	C	C	C									
									B	B	B	B	B	B	B	B									
									A	A	A	A	A	A	A	A									
8P + 32S + 8P		HD		HD																					



THIS DRAWING IS A CONTROLLED DOCUMENT.		DWN R. GRZYBOWSKI	09MAR05	STE TE Connectivity
DIMENSIONS: INCHES		CHK M. PERCHERKE	09MAR05	
TOLERANCES UNLESS OTHERWISE SPECIFIED:		APVD M. PERCHERKE	-	NAME RIGHT ANGLE RECEPTACLE ASSEMBLY WITH GUIDES MULTI-BEAM XL
0 PLC ± .01		PRODUCT SPEC	108-1973	SIZE A100779
2 PLC ± .01		APPLICATION SPEC	114-13038	CAGE CODE C=6450560
3 PLC ± .005		FINISH	-	RESTRICTED TO
4 PLC ± .0020		WEIGHT	-	Customer Drawing
ANGLES		SCALE	4:1	SHEET 7 OF 7
MATERIAL		REV	H3	