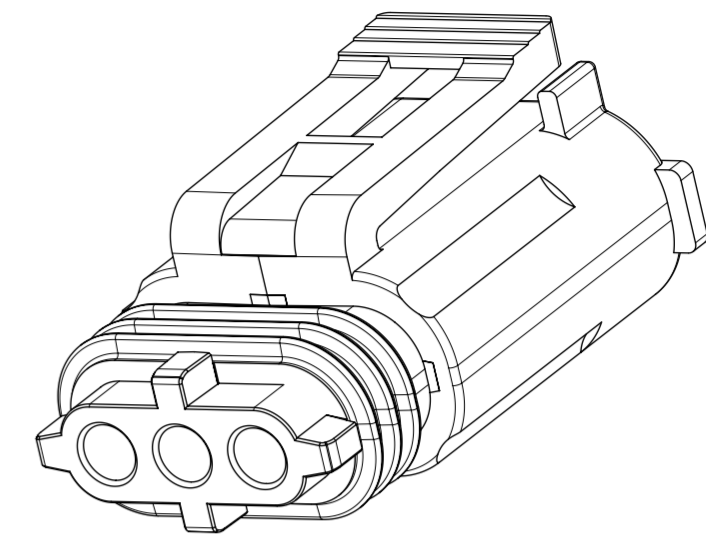
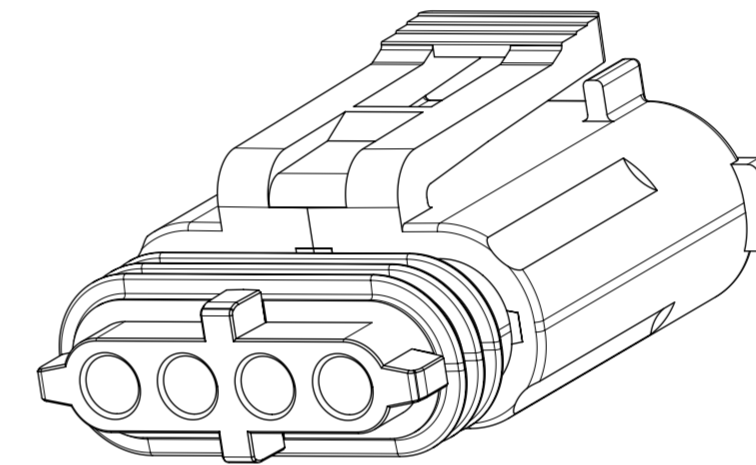
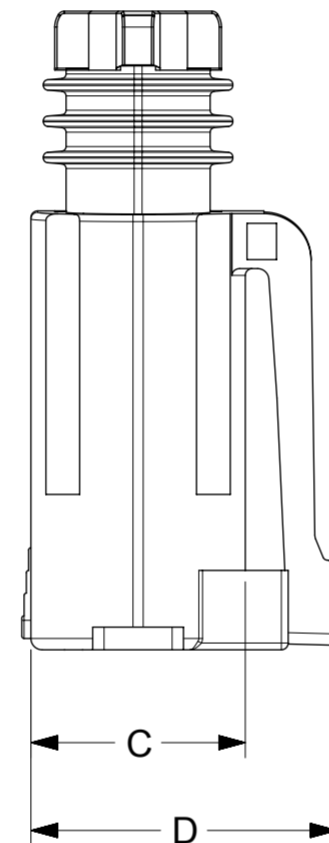
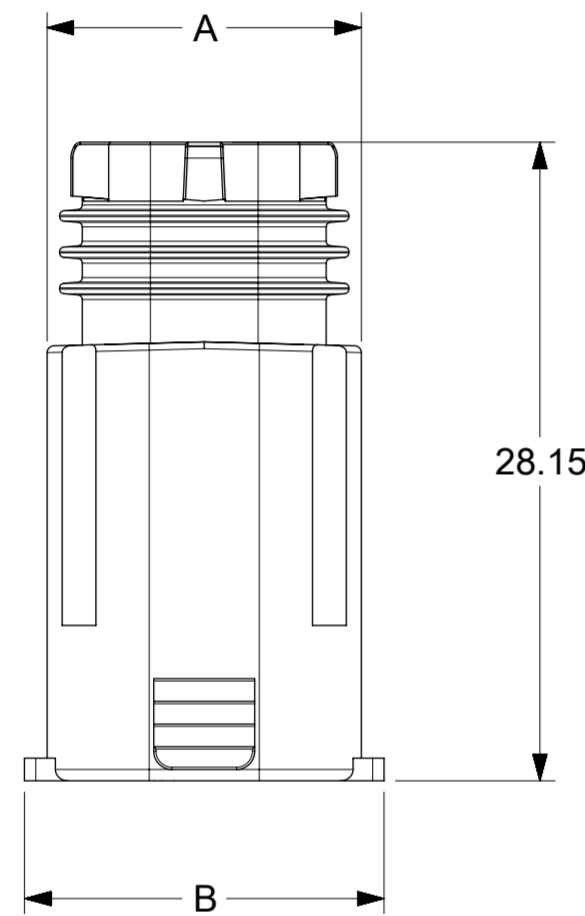


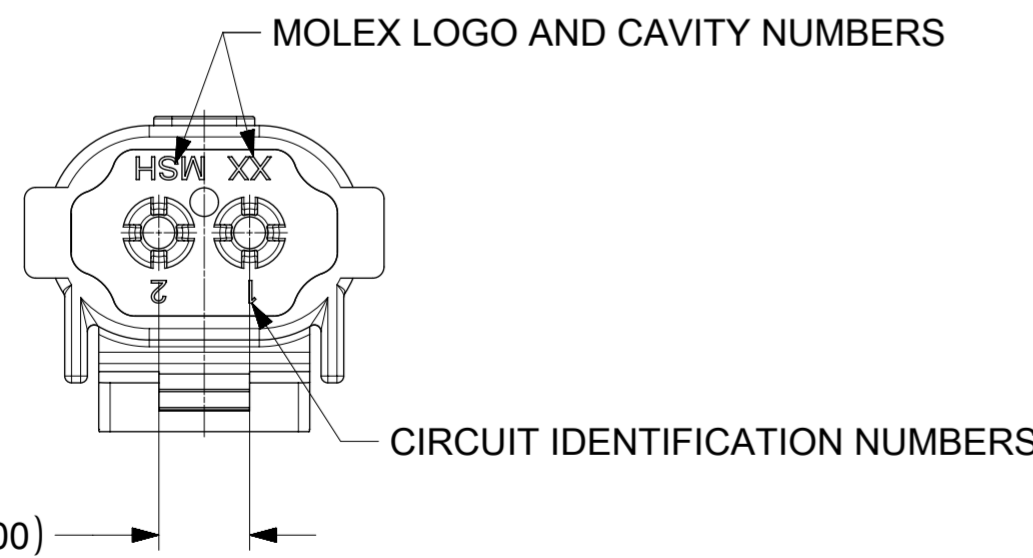
ISOMETRIC VIEW
CIRCUIT 1X2



ISOMETRIC VIEW
CIRCUIT 1X3



ISOMETRIC VIEW
CIRCUIT 1X4



NOTES:

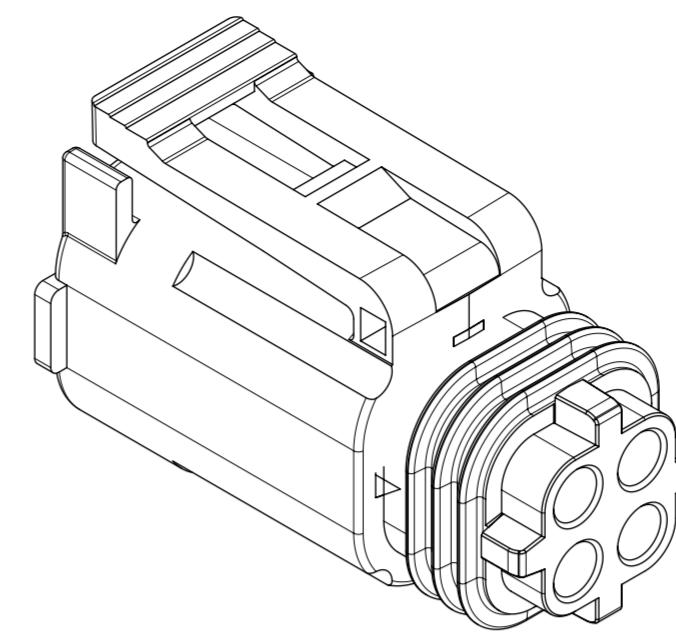
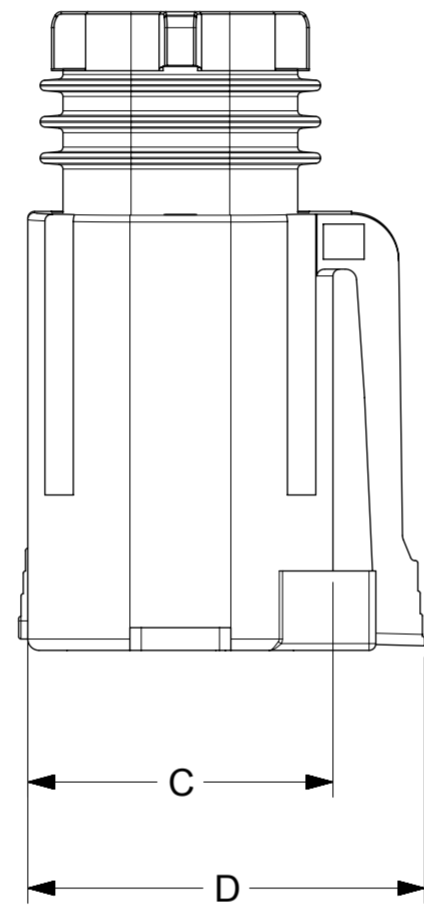
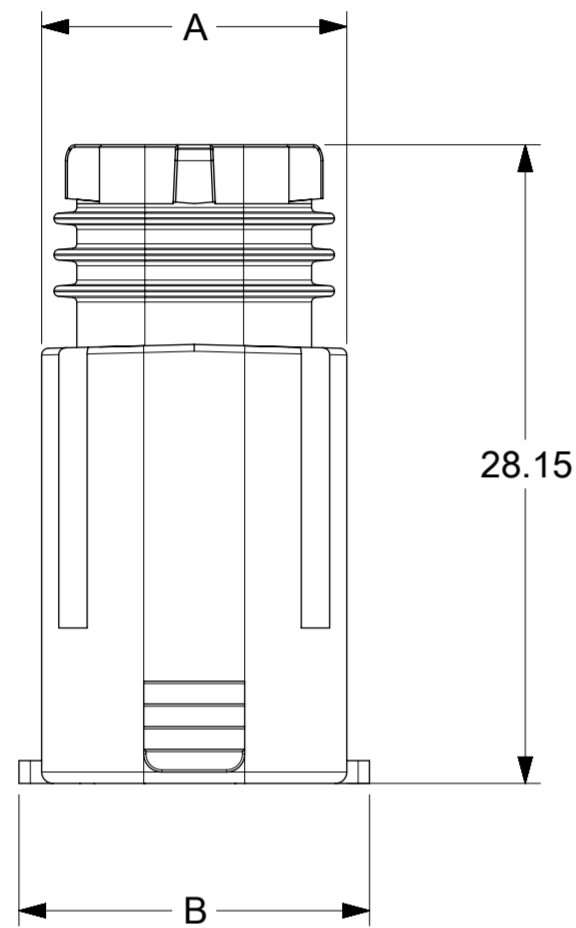
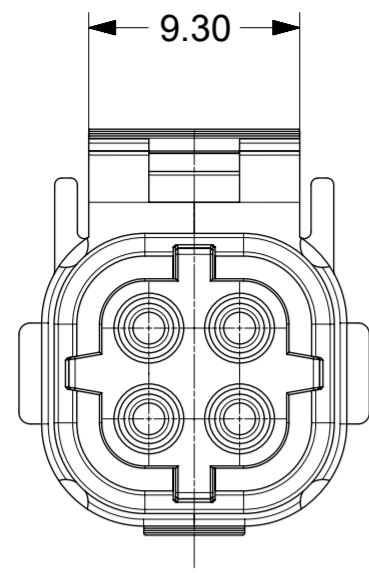
1. HOUSING MATERIAL PP UL94V0, COLOR-NATURAL
2. SEALING MATERIAL: TPE, COLOR-BLACK
3. MATES WITH PLUG HOUSING SERIES 172877
4. HOUSING DESIGNED TO BE USED WITH SOCKET SERIES 173042
5. COSMETIC SPECIFICATION PS-45499-002 CLASS 'C'
6. PRODUCT SPECIFICATION: 1728770001-PS
7. PACKAGING SPECIFICATION: 1728780010
8. CAVITY NUMBERS IDENTIFIED ON HOUSING (ON SEAL SURFACE)
9. VOID PLUG TO BE USED WITH RECEPTACLES HOUSING SERIES 173061

PRE-RELEASE
REFERENCE
USE ONLY

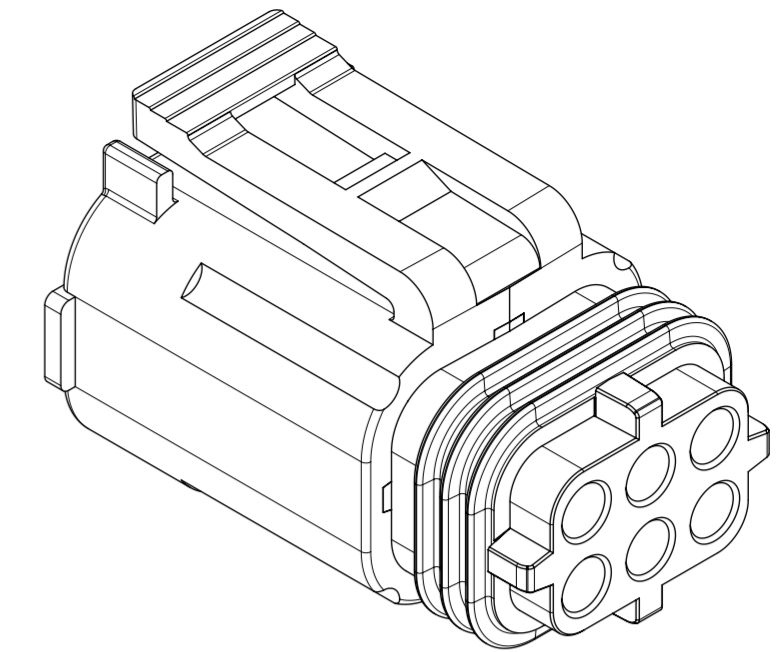
SINGLE ROW PART NUMBER LIST

PART NUMBER	CIRCUIT SIZE	DIM A	DIM B	DIM C	DIM D	TOOLING STATUS
172878-0002	1X2	13.85	15.85	9.45	13.49	TOOLED
TBD	1X3	17.85	19.85	9.85	13.89	NOT TOOLED
TBD	1X4	21.85	23.85	9.45	13.49	NOT TOOLED

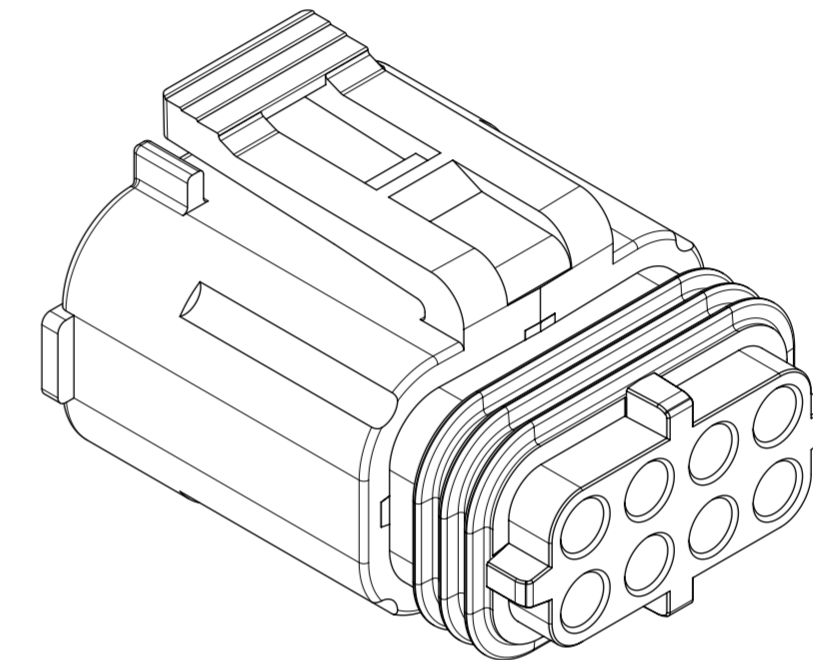
THIS DRAWING CONTAINS INFORMATION THAT IS PROPRIETARY TO MOLEX ELECTRONIC TECHNOLOGIES, LLC AND SHOULD NOT BE USED WITHOUT WRITTEN PERMISSION												
REVISED-RSD TO SD EC NO: 112905 DRWN: ISHWARG CHKD: REV / APPR:	GENERAL TOLERANCES (UNLESS SPECIFIED)		DIMENSION UNITS	SCALE	molex RECEPTACLE HOUSING WITH INTEGRATED SEAL VALUSEAL							
	ANGULAR TOL ± 0.5 °		MM	3:1								
	4 PLACES ±	SS06	DRWN BY	DATE	PRODUCT CUSTOMER DRAWING							
	3 PLACES ±	SS06	CHK'D BY	DATE	SERIES		MATERIAL NUMBER		CUSTOMER			
	2 PLACES ± 0.25	RHODGE	APPR BY	DATE	172878		SEE TABLE		GENERAL MARKET			
	1 PLACE ± 0.36	A2	REV	APPR	DRAWING SIZE		THIRD ANGLE PROJECTION		DOCUMENT NUMBER		DOC TYPE	DOC PART
0 PLACES ±	DRAFT WHERE APPLICABLE MUST REMAIN WITHIN DIMENSIONS		A2		SD-172878-0001		PSD	000	1 OF 2			



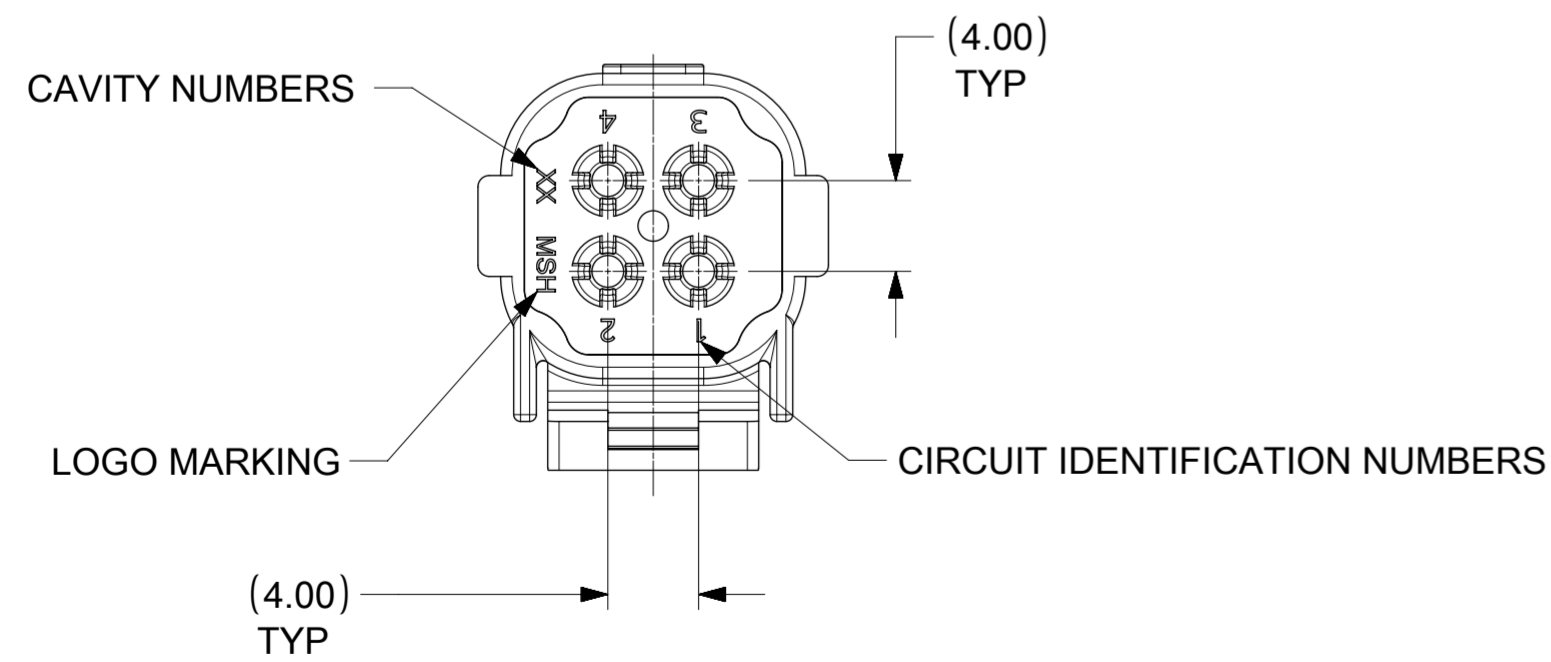
ISOMETRIC VIEW
CIRCUIT 2X2



ISOMETRIC VIEW
CIRCUIT 2X3



ISOMETRIC VIEW
CIRCUIT 2X4



PRE-RELEASE
REFERENCE
USE ONLY

DUAL ROW PART NUMBER LIST

PART NUMBER	CIRCUIT SIZE	DIM A	DIM B	DIM C	DIM D	TOOLING STATUS
172878-0040	2X2	13.45	15.45	13.45	17.49	TOOLED
TBD	2X3	17.45	19.25	13.85	17.89	NOT TOOLED
TBD	2X4	21.45	23.45	13.45	17.49	NOT TOOLED

REVISED-RSD TO SD EC NO: 112905 DRWN: ISHWARG CHKD: REV: APPR:		2017/01/30	GENERAL TOLERANCES (UNLESS SPECIFIED)		DIMENSION UNITS MM	SCALE 3:1	molex RECEPTACLE HOUSING WITH INTEGRATED SEAL VALUSEAL		
G3			ANGULAR TOL ± 0.5 °		DRWN BY SS06	DATE 2015/02/23			
			4 PLACES ±		CHK'D BY SS06	DATE 2015/12/08	PRODUCT CUSTOMER DRAWING		
			3 PLACES ±		APPR BY RHODGE	DATE 2015/04/06	SERIES 172878	MATERIAL NUMBER SEE TABLE	CUSTOMER GENERAL MARKET
			2 PLACES ± 0.25		DRAWING SIZE A2		DOCUMENT NUMBER SD-172878-0001		DOC TYPE PSD
			1 PLACE ± 0.36		THIRD ANGLE PROJECTION		DOC PART 000	SHEET NUMBER 2 OF 2	
			0 PLACES ±		DRAFT WHERE APPLICABLE MUST REMAIN WITHIN DIMENSIONS				